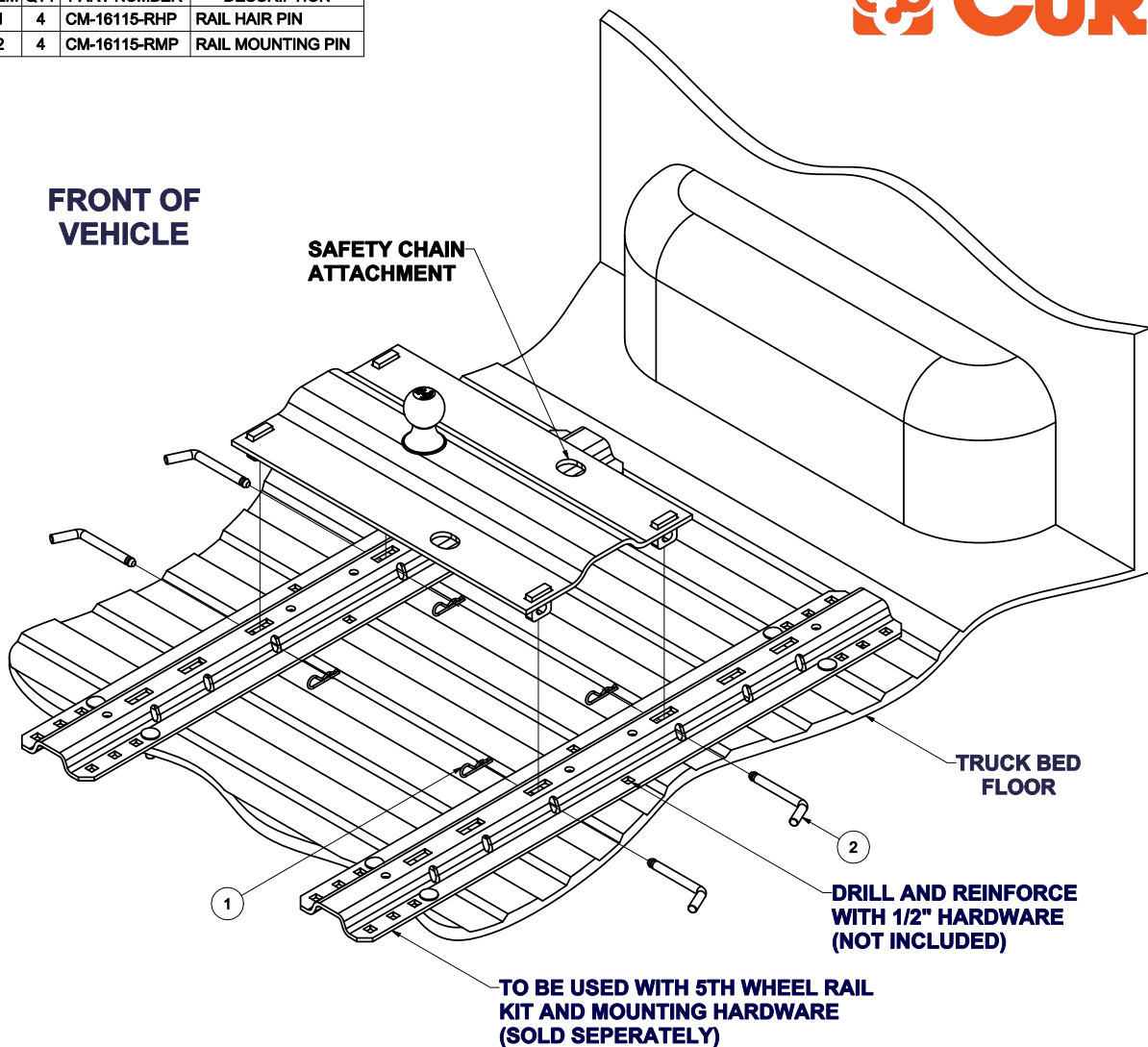


**16055**

## **GOOSENECK HITCH (RAIL MOUNT)**

**GROSS LOAD CAPACITY WHEN USED AS A WEIGHT CARRYING HITCH: 25,000 LBS. TRAILER WEIGHT & 6,250 LBS. TONGUE WEIGHT.  
\*\*\*DO NOT EXCEED VEHICLE MANUFACTURER'S RECOMMENDED TOWING CAPACITY.\*\*\***

Parts List			
ITEM	QTY	PART NUMBER	DESCRIPTION
1	4	CM-16115-RHP	RAIL HAIR PIN
2	4	CM-16115-RMP	RAIL MOUNTING PIN



### **INSTALLATION STEPS**

- 1) Note: Before installing the 16055 gooseneck hitch, it is recommended that the mounting rails be reinforced through the center hole in the rails using 1/2" hardware.
- 2) Place hitch into mounting rails and insert pins. Secure pins by installing rail hairpins as shown.
- 3) Attach safety chains using the slots in the gooseneck plate.

**PERIODICALLY CHECK THIS RECEIVER HITCH TO INSURE THAT ALL FASTENERS ARE TIGHT AND THAT ALL STRUCTURAL COMPONENTS ARE SOUND.**