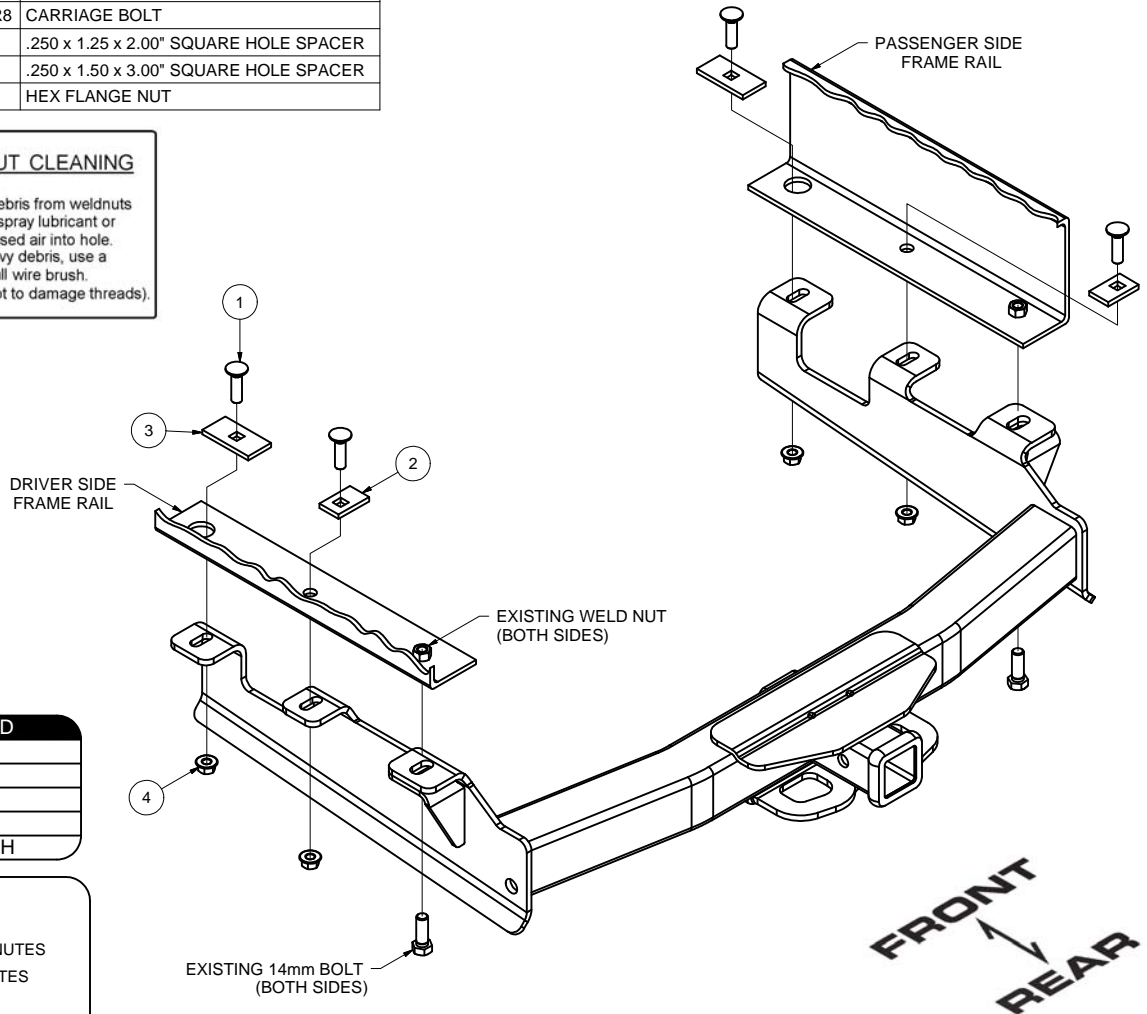
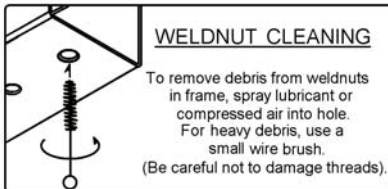


**15302****2001-10 CHEVY/GMC 2500HD OR 3500 SHORT BOX  
WITH FACTORY BUMPER (INCLUDING CREW CAB)**

**GROSS LOAD CAPACITY WHEN USED AS A WEIGHT CARRYING HITCH: 16,000 LBS. TRAILER WEIGHT & 2,400 LBS. TONGUE WEIGHT.  
GROSS LOAD CAPACITY WHEN USED AS A WEIGHT DISTRIBUTION HITCH: 17,000 LBS. TRAILER WEIGHT & 2,400 LBS. TONGUE WEIGHT**

\*\*\*DO NOT EXCEED VEHICLE MANUFACTURER'S RECOMMENDED TOWING CAPACITY.\*\*\*

Parts List			
ITEM	QTY	PART NUMBER	DESCRIPTION
1	4	1/2-13 x 1 3/4, GR8	CARRIAGE BOLT
2	2	CM-SP3	.250 x 1.25 x 2.00" SQUARE HOLE SPACER
3	2	CM-SP4	.250 x 1.50 x 3.00" SQUARE HOLE SPACER
4	4	HFN 1213, GR8	HEX FLANGE NUT

**TOOLS REQUIRED**

3/4" SOCKET  
21mm SOCKET  
12" EXTENSION  
RATCHET  
TORQUE WRENCH

**HITCH WEIGHT:** 59 LBS.

**INSTALL TIME**

PROFESSIONAL: 30 MINUTES  
NOVICE (DIY): 60 MINUTES

**INSTALL NOTES:**

- NO DRILLING REQUIRED
- LOWER SPARE TIRE

**INSTALLATION STEPS**

1. Lower spare tire for ease of installation.
2. Remove (1) bumper bracket bolt from both sides of the vehicle. Raise hitch into position by aligning the rearmost holes in the hitch with the holes where the bumper bracket bolts were removed. Secure hitch using existing 14mm bumper bracket bolts.
3. Place a 1/2"-13 x 1 3/4" carriage bolt and a CM-SP4 spacer in the forward most hole of the frame and hitch, repeat on other side. Secure with 1/2" hex flange nuts, as shown.
4. Place a 1/2"-13 x 1 3/4" carriage bolt and a CM-SP3 spacer in the center hole of the frame and hitch, repeat on other side. Secure with 1/2" hex flange nuts, as shown.
5. Torque all 1/2" hardware to 110 lb-ft. Torque all 14mm hardware to 126 lb-ft.
6. Reinstall spare tire.

PERIODICALLY CHECK THIS RECEIVER HITCH TO ENSURE THAT ALL FASTENERS ARE TIGHT AND THAT ALL STRUCTURAL COMPONENTS ARE SOUND.