

INSTALLATION INSTRUCTIONS

WARNING: NEVER EXCEED YOUR VEHICLE MANUFACTURER'S RECOMMENDED TOWING CAPACITY

MULTI-FIT TRAILER HITCH

CLASS 3, THREE-PIECE



PARTS LIST

Item#	Qty	Description
1	1	Fishwire, 1/2"
2	12	Carriage bolt, 7/16" - 14 x 1"
3	12	Hex flange nut, 7/16" - 14
4	6	Carriage bolt, 7/16" - 13 x 1 3/4"
5	6	Hex flange nut, 1/2" - 13
6	2	Hex bolt, M14 - 2" x 40mm
7	2	Conical washer, 1/2"
8	6	Square hole spacer, 1/4" x 1" x 3"
9	2	Strap, 1/4"

WEIGHT RATINGS

Capacity when used as a weight carrying hitch
5,000 lbs. gross trailer weight

Capacity when used as a weight distribution hitch:
7,500 lbs. gross trailer weight

INSTALLATION NOTES

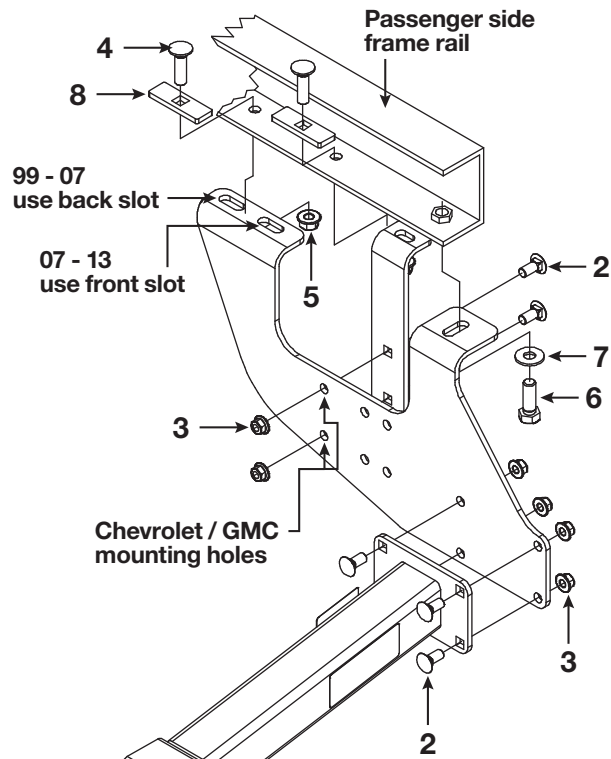
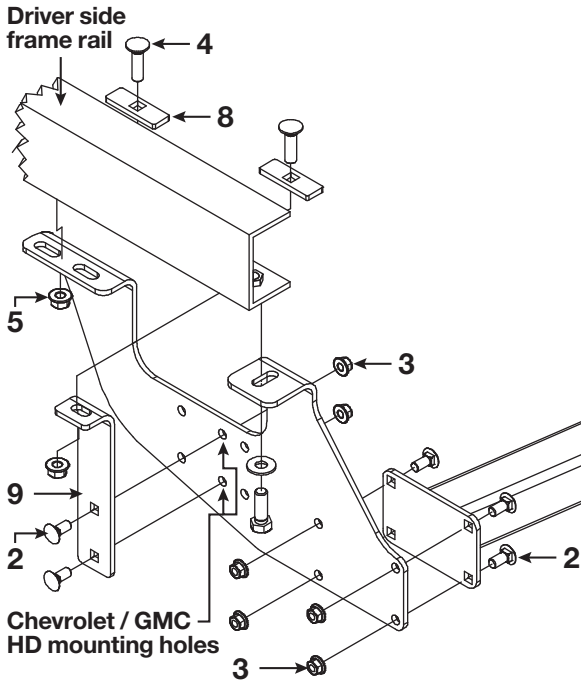
Hitch weight: 51 lbs.

Install time: 60 minutes

Drilling required on 04-05 Fords only

CHEVROLET / GMC APPLICATIONS

Years	Model
Chevrolet / GMC	
99 - 13	1500 and 2500LD pickups, classic body
01 - 14	2500HD / 3500 pickups



INSTALLATION

Step 1

Place supplied fasteners into position on the vehicle.

Step 2

Mount the side plates to the frame rails as shown in the diagram above. Raise center section into position and loosely secure to the side plates.

Step 3

Install remaining fasteners.

Step 4

Torque all fasteners:

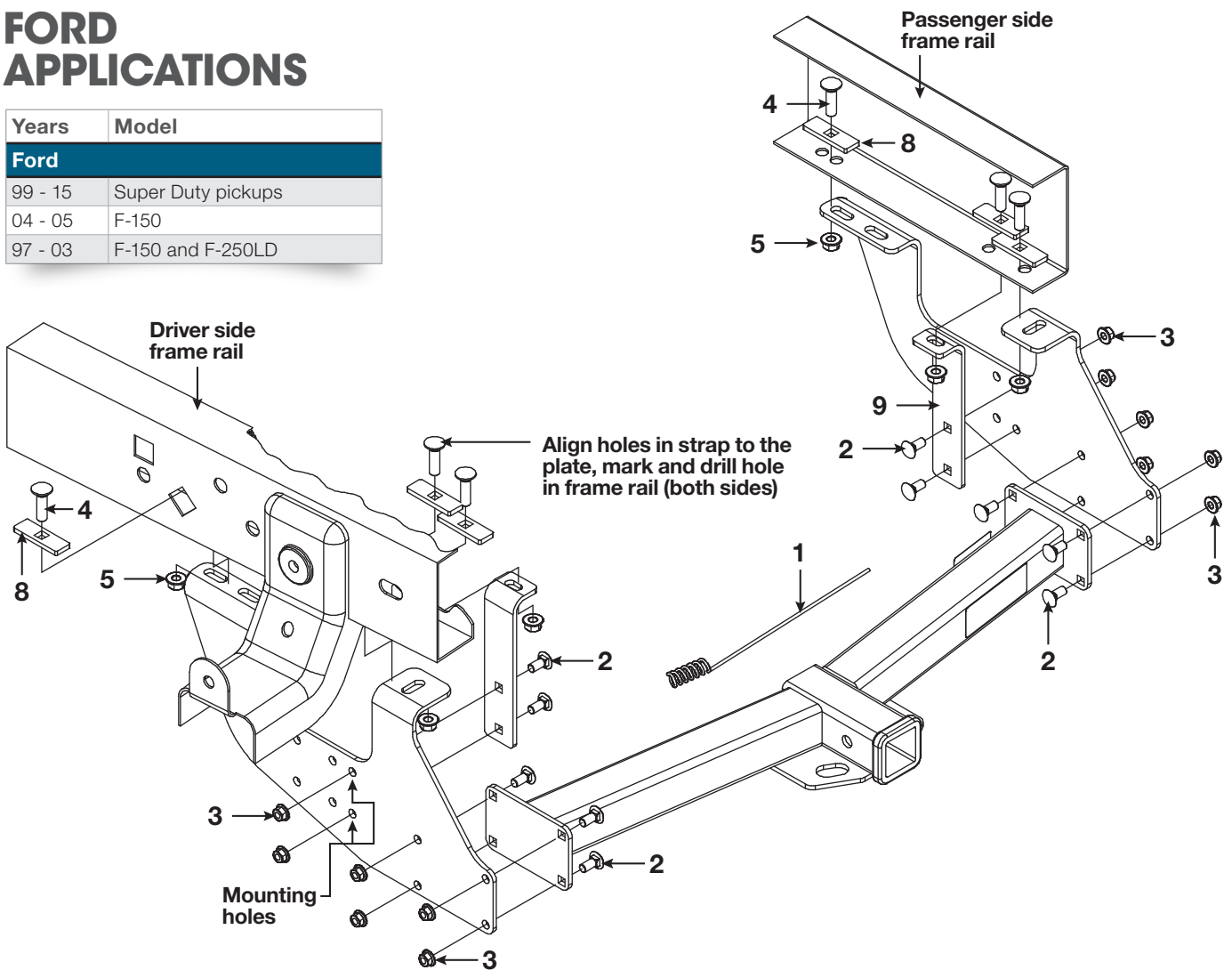
7/16" fasteners to 70 lb-ft
 1/2" fasteners to 110 lb-ft,
 14mm fasteners to 126 lb-ft.

PARTS LIST

Item#	Qty	Description
1	1	Fishwire, 1/2"
2	12	Carriage bolt, 7/16" - 14 x 1"
3	12	Hex flange nut, 7/16" - 14
4	6	Carriage bolt, 7/16" - 13 x 1 3/4"
5	6	Hex flange nut, 1/2" - 13
6	2	Hex bolt, M14 - 2" x 40mm
7	2	Conical washer, 1/2"
8	6	Square hole spacer, 1/4" x 1" x 3"
9	2	Strap, 1/4"

FORD APPLICATIONS

Years	Model
Ford	
99 - 15	Super Duty pickups
04 - 05	F-150
97 - 03	F-150 and F-250LD



INSTALLATION

Step 1

Place supplied fasteners into position on the vehicle, where possible, without drilling, per application.

Step 2

Mount the side plates to the frame rails as shown in the diagram above. Raise center section into position and loosely secure to the side plates.

Step 3

Drill remaining holes if necessary; 03-04 ford trucks.

Step 4

Install remaining fasteners.

Step 5

Torque all fasteners:

- 7/16" fasteners to 70 lb-ft
- 1/2" fasteners to 110 lb-ft,
- 14mm fasteners to 126 lb-ft.

PARTS LIST

Item#	Qty	Description
1	1	Fishwire, 1/2"
2	12	Carriage bolt, 7/16" - 14 x 1"
3	12	Hex flange nut, 7/16" - 14
4	6	Carriage bolt, 7/16" - 13 x 1 3/4"
5	6	Hex flange nut, 1/2" - 13
6	2	Hex bolt, M14 - 2" x 40mm
7	2	Conical washer, 1/2"
8	6	Square hole spacer, 1/4" x 1" x 3"
9	2	Strap, 1/4"