

13703**ADJUSTABLE RV HITCH****GROSS LOAD CAPACITY WHEN USED AS A WEIGHT CARRYING HITCH: 3,500 LBS. TRAILER WEIGHT & 350 LBS. TONGUE WEIGHT.**

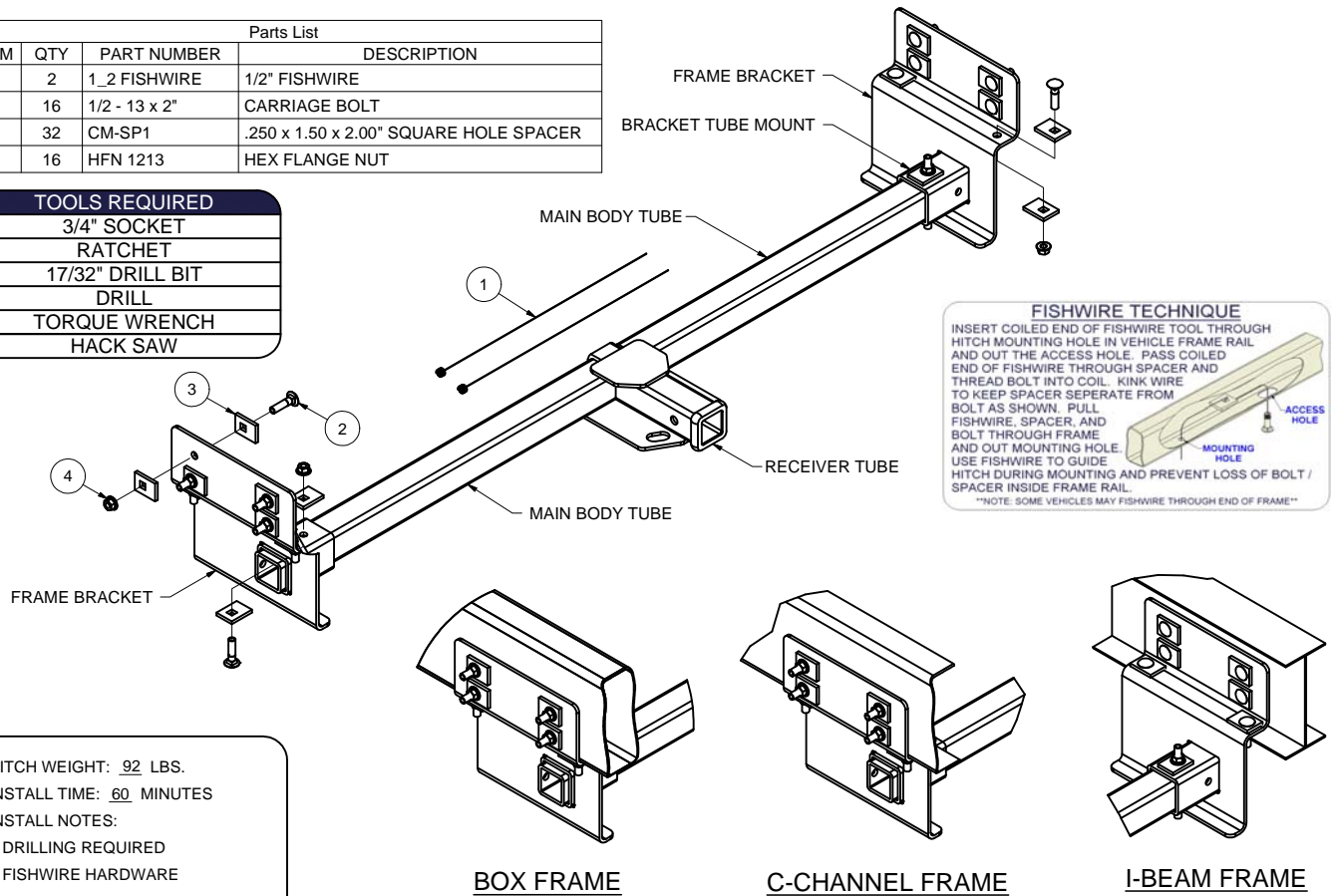
DO NOT EXCEED VEHICLE MANUFACTURER'S RECOMMENDED TOWING CAPACITY.

WARNING: ALL NON-TRAILER LOADS APPLIED TO THIS PRODUCT MUST BE SUPPORTED BY AUXILIARY STABILIZING STRAPS.

** FAILURE TO PROPERLY SUPPORT NON-TRAILER LOADS WILL VOID PRODUCT WARRANTY**

Parts List			
ITEM	QTY	PART NUMBER	DESCRIPTION
1	2	1_2 FISHWIRE	1/2" FISHWIRE
2	16	1/2 - 13 x 2"	CARRIAGE BOLT
3	32	CM-SP1	.250 x 1.50 x 2.00" SQUARE HOLE SPACER
4	16	HFN 1213	HEX FLANGE NUT

TOOLS REQUIRED	
3/4" SOCKET	
RATCHET	
17/32" DRILL BIT	
DRILL	
TORQUE WRENCH	
HACK SAW	



HITCH WEIGHT: 92 LBS.
 INSTALL TIME: 60 MINUTES
 INSTALL NOTES:
 - DRILLING REQUIRED
 - FISHWIRE HARDWARE
 - FRAME WIDTH: 22" TO 72"

INSTALLATION STEPS

- 1) Slide the left and right frame brackets onto the hitch as shown. (Note: The bracket tube mount can be positioned towards the front or rear to gain frame clearance or adjustability.)
- 2) Position and clamp the hitch to the frame rails so the receiver tube is centered on the vehicle. Position the face of the receiver tube flush with the outward surface of the rear bumper to maximize clearance for accessories. See frame type pictured for installation mounting.
- 3) Using the frame brackets as a template, drill 4 holes horizontally per side. If frame clearance permits, drill two vertical holes per side for added clamping into the vehicles frame rails as shown. Use a 17/32" drill bit for all mounting holes. (For weld on application no drilling is required.)
- 4) Fasten the frame brackets to the vehicle frame rails using the mounting hardware as pictured. Secure the brackets in position at this time.
- 5) Center the hitch on the vehicle and clamp at both ends to prevent movement while drilling. Use two of the four mounting holes in the bracket tubes, each side, for attachment. Drill 17/32" holes into cross tube using bracket tubes as a template. (For weld on application no drilling is required.)
- 6) Fishwire a 1/2"-13 carriage bolt and CM-SP1 spacer into each hole in the main body as shown and secure with a 1/2" flange nut as shown.
- 7) Torque all 1/2" fasteners to 110 lb-ft.
- 8) Note: The main body tube may be trimmed flush with the outside of the bracket tube mount. If trimmed flush, coat bare metal with paint to prevent corrosion.

PERIODICALLY CHECK THIS RECEIVER HITCH TO ENSURE THAT ALL FASTENERS ARE TIGHT AND THAT ALL STRUCTURAL COMPONENTS ARE SOUND.