



Safety glasses should be worn at all times while installing this product.

YEARS: 2013-PRESENT

MAKE: HYUNDAI

MODEL: SANTA FE (2.0 / 2.4L 4 CYL ONLY)

YEARS: 2014-PRESENT

MAKE: KIA

MODEL: SORENTO (ALL)

STYLE: SUV

WARNING: NEVER EXCEED YOUR VEHICLE MANUFACTURER'S RECOMMENDED TOWING CAPACITY

WEIGHT CARRYING: TRAILER WEIGHT: 6,000 LBS.
TONGUE WEIGHT: 900 LBS.






WEIGHT DISTRIBUTION: TRAILER WEIGHT: 8,000 LBS.
TONGUE WEIGHT: 900 LBS.

PRO INSTALL TIME: 20 MIN.

NOVICE INSTALL TIME: 40 MIN.

IF YOU ARE HESITANT TO UNDERTAKE THIS TASK ON YOUR OWN, CONTACT AN AUTHORIZED CURT INSTALLER FOR ADDITIONAL ASSISTANCE.


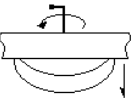

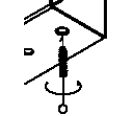
INSTALLATION REQUIRES:

 RATCHET	 TORQUE WRENCH	 6" SOCKET EXTENSION
 7/16" 3/4" 17mm SOCKET	 SCREW DRIVER	 SAFETY GLASSES

INSTALLATION TIPS:

- BEFORE YOU BEGIN INSTALLATION, READ ALL INSTRUCTIONS THOROUGHLY.
- TO EASE INSTALLATION, 2 PEOPLE MAY BE REQUIRED.
- USING PROPER TOOLS WILL GREATLY IMPROVE THE QUALITY OF THE INSTALL AND REDUCE THE TIME REQUIRED.

LEVEL OF DIFFICULTY: MODERATE

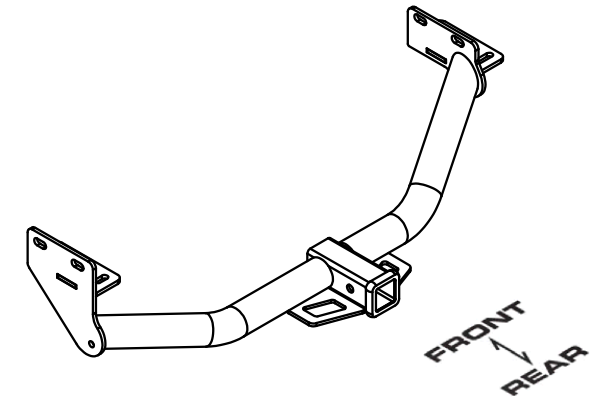
EASY	MODERATE	CHALLENGING
	- NO DRILLING REQUIRED	
	- LOWER SPARE & UNDER BODY PANELS	
	- LOWER EXHAUST	
	- CLEAN EXISTING WELDNUTS	

VEHICLE PHOTO:



REPRESENTATIVE PHOTO

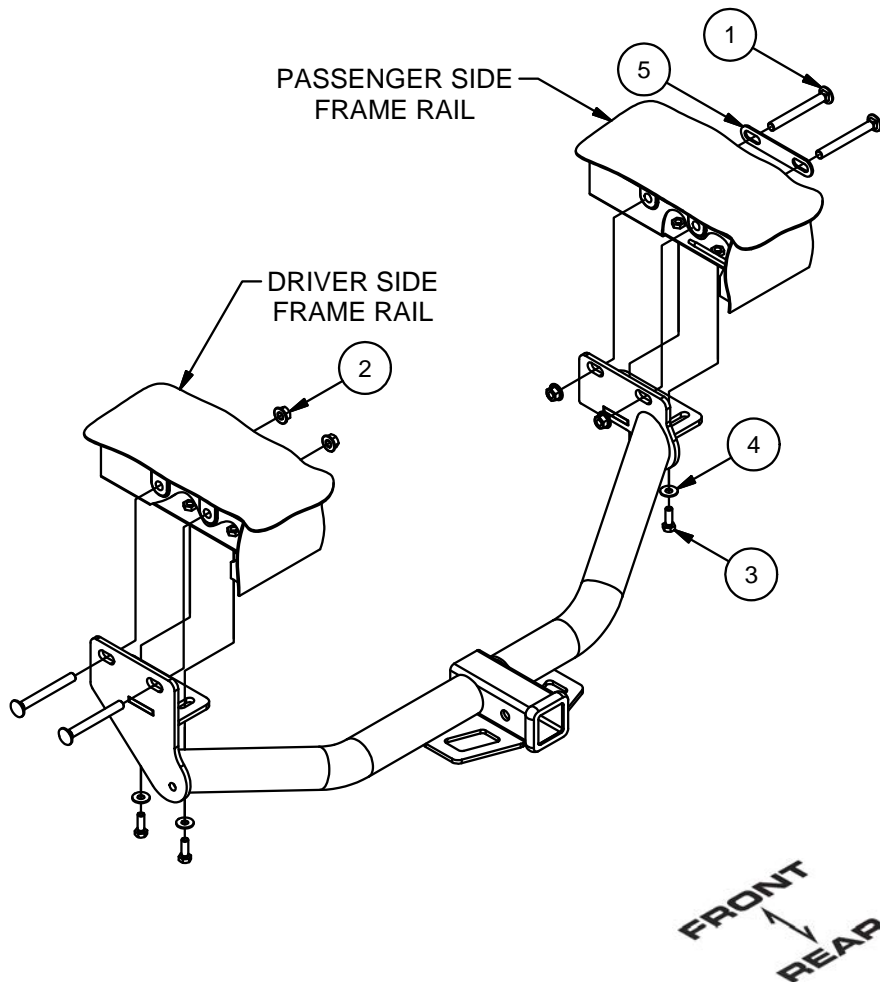
HITCH ILLUSTRATION:



MAKE SURE YOUR HITCH MATCHES

INSTALLATION WALKTHROUGH:

Parts List			
ITEM	QTY	PART NUMBER	DESCRIPTION
1	4	1/2-13 x 4 1/2	CARRIAGE BOLT
2	4	HFN 1213, GR8	HEX FLANGE NUT
3	4	M10 - 1.25 x 25	HEX BOLT
4	4	3/8"	CONICAL TOOTHED WASHER
5	1	13152-SP	11GA. (.1196) SPACER PLATE



1. Lower and remove spare tire.



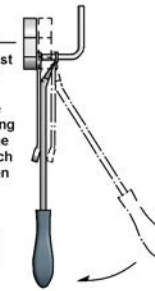
2. Lower exhaust by removing (3) rubber isolators.

RUBBER ISOLATOR REMOVAL DIAGRAM

This technique can be used if an Exhaust Hanger Removal Pliers is not available.

Using a 5/8" open end wrench, slide the wrench up to the rubber isolator, cradling the hanger rod as shown. Next place the flat edge of a pry bar between the wrench and the hanger stop or hanger rod. Then simply rotate the pry bar toward the wrench to remove the rubber isolator.

Note: Using a spray lubricant or soapy water on the hanger rod and the rubber isolator helps removal.

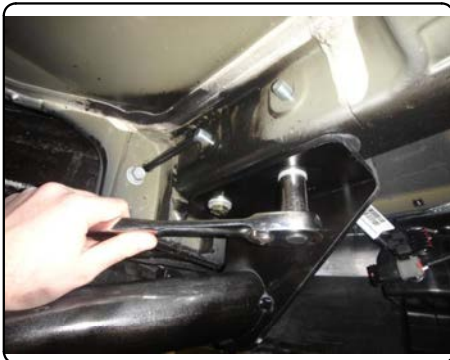


INSTALLATION WALKTHROUGH:

3. Remove the plastic under body panel from the passenger side and the driver side frame rails. Remove (3) fascia screws from the passenger side and (4) from the driver side. Carefully pull down and set aside.



4. Raise hitch into position and secure to the existing weldnuts with M10-1.25 x 25mm bolts and 3/8" conical toothed washers. **Note:** The bumper locator pin may interfere with the hitch hardware. You may need to bend or trim it to allow hardware clearance.



5. Insert 1/2-13 x 4 1/2" carriage bolts through the driver side plate and frame rail, secure using 1/2-13 flange nuts. Insert 1/2-13 x 4 1/2" carriage bolts through the 13152-SP spacer, in the passenger side frame rail and out the passenger side plate, secure using 1/2-13 flange nuts.



6. Torque all 1/2" hardware to 110 ft-lbs. Torque all 10mm hardware to 48 ft-lbs. Raise exhaust and spare tire back into position. Reinstall passenger side and driver side under body panels removed in Step (3).

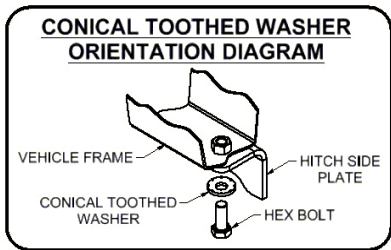
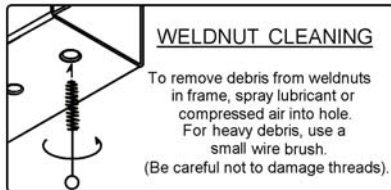
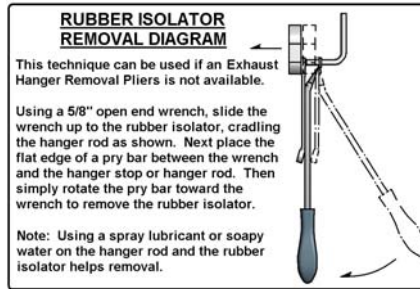


13152

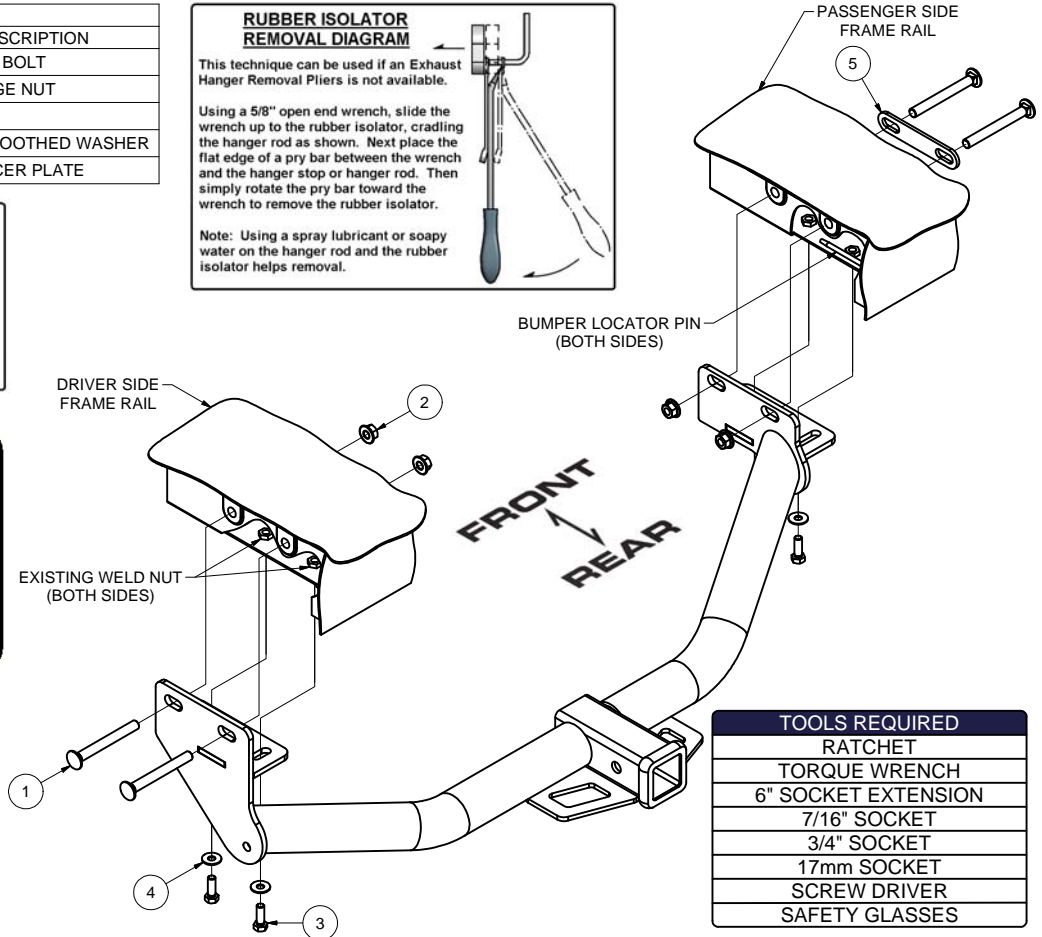
2013-PRESENT HYUNDAI SANTA FE (2.0 / 2.4L 4 CYL ONLY)
2014-PRESENT KIA SORENTO (ALL)

GROSS LOAD CAPACITY WHEN USED AS A WEIGHT CARRYING HITCH: 6,000 LBS. TRAILER WEIGHT & 900 LBS. TONGUE WEIGHT.
GROSS LOAD CAPACITY WHEN USED AS A WEIGHT DISTRIBUTION HITCH: 8,000 LBS. TRAILER WEIGHT & 900 LBS. TONGUE WEIGHT
DO NOT EXCEED VEHICLE MANUFACTURER'S RECOMMENDED TOWING CAPACITY.

Parts List				
ITEM	QTY	PART NUMBER	DESCRIPTION	
1	4	1/2-13 x 4 1/2	CARRIAGE BOLT	
2	4	HFN 1213, GR8	HEX FLANGE NUT	
3	4	M10 - 1.25 x 25	HEX BOLT	
4	4	3/8"	CONICAL TOOTHED WASHER	
5	1	13152-SP	.188" SPACER PLATE	



HITCH WEIGHT: 34 LBS.
INSTALL TIME
PROFESSIONAL: 20 MINUTES
NOVICE (DIY): 40 MINUTES
INSTALL NOTES:
- NO DRILL
- LOWER SPARE
- LOWER EXHAUST
- LOWER UNDER BODY PANELS



TOOLS REQUIRED
RATCHET
TORQUE WRENCH
6" SOCKET EXTENSION
7/16" SOCKET
3/4" SOCKET
17mm SOCKET
SCREW DRIVER
SAFETY GLASSES

INSTALLATION STEPS

1. Lower and remove spare tire.
2. Lower exhaust by removing (3) rubber isolators.
3. Remove the plastic under body panel from the passenger side and the driver side frame rails. Remove (3) fascia screws from the passenger side and (4) from the driver side. Carefully pull down and set aside.
4. Raise hitch into position and secure to the existing weldnuts with M10-1.25 x 25mm bolts and 3/8" conical toothed washers.
5. Insert 1/2-13 x 4 1/2" carriage bolts through the driver side plate and frame rail, secure using 1/2-13 flange nuts. Insert 1/2-13 x 4 1/2" carriage bolts through the 13152-SP spacer, in the passenger side frame rail and out the passenger side plate, secure using 1/2-13 flange nuts. **Note:** The bumper locator pin may interfere with the hitch hardware. You may need to bend or trim it to allow hardware clearance.
6. Torque all 1/2" hardware to 110 ft-lbs.
Torque all 10mm hardware to 48 ft-lbs.
7. Raise exhaust and spare tire back into position. Reinstall passenger side and driver side under body panels removed in Step (3).

PERIODICALLY CHECK THIS RECEIVER HITCH TO ENSURE THAT ALL FASTENERS ARE TIGHT AND THAT ALL STRUCTURAL COMPONENTS ARE SOUND.