

12112

MAZDA CX-9

GROSS LOAD CAPACITY WHEN USED AS A WEIGHT CARRYING HITCH: 3500 LBS. TRAILER WEIGHT & 350 LBS. TONGUE WEIGHT.

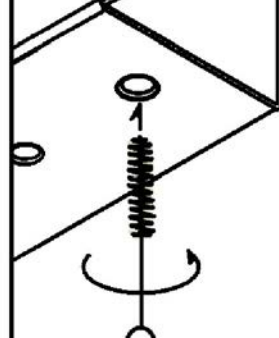
DO NOT EXCEED VEHICLE MANUFACTURER'S RECOMMENDED TOWING CAPACITY.

WARNING: ALL NON-TRAILER LOADS APPLIED TO THIS PRODUCT MUST BE SUPPORTED BY 18050 STABILIZING STRAPS.

** FAILURE TO PROPERLY SUPPORT NON-TRAILER LOADS WILL VOID PRODUCT WARRANTY**

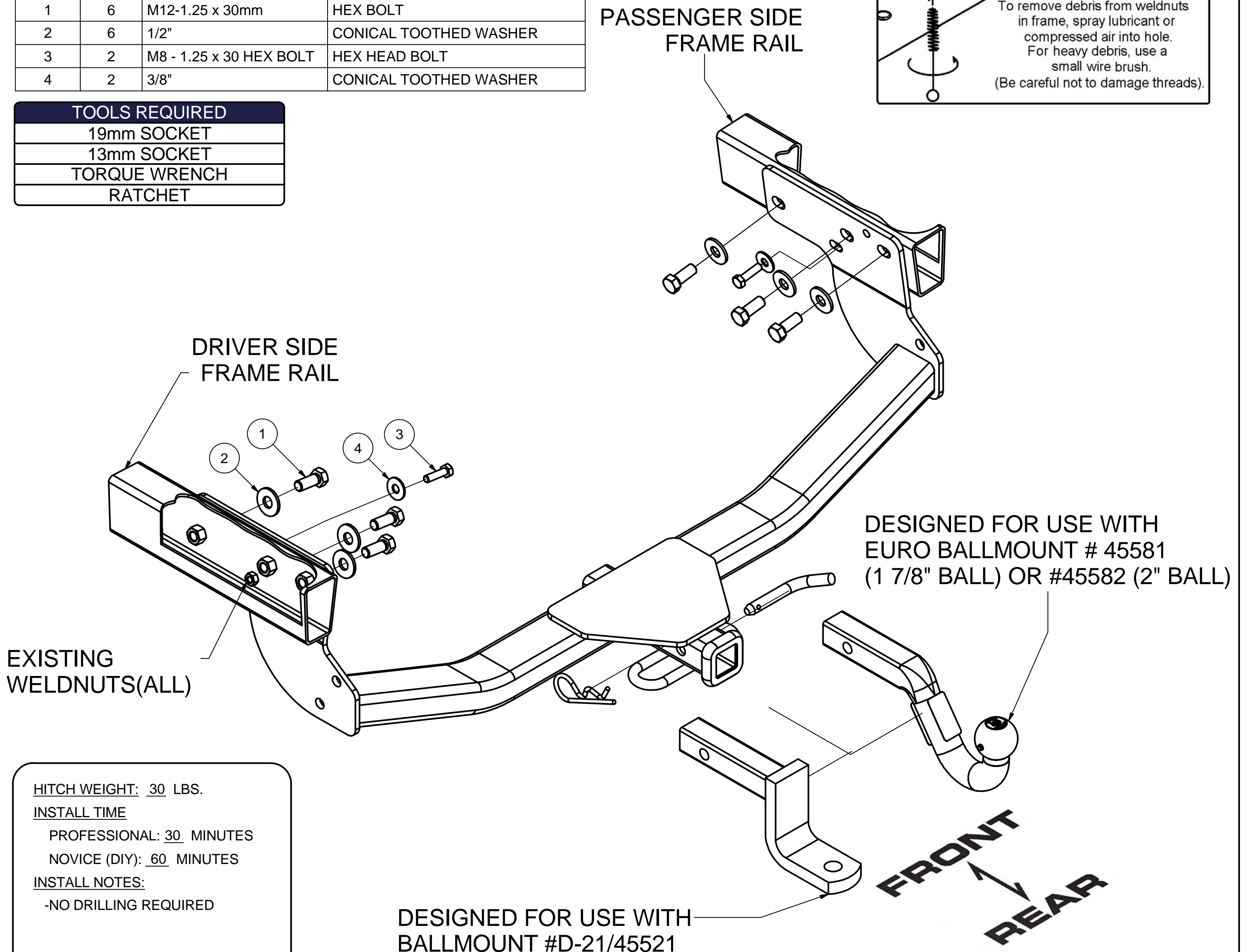
Parts List			
ITEM	QTY	PART NUMBER	DESCRIPTION
1	6	M12-1.25 x 30mm	HEX BOLT
2	6	1/2"	CONICAL TOOTHED WASHER
3	2	M8 - 1.25 x 30 HEX BOLT	HEX HEAD BOLT
4	2	3/8"	CONICAL TOOTHED WASHER

TOOLS REQUIRED
19mm SOCKET
13mm SOCKET
TORQUE WRENCH
RATCHET



WELDNUT CLEANING

To remove debris from weldnuts in frame, spray lubricant or compressed air into hole. For heavy debris, use a small wire brush. (Be careful not to damage threads).



HITCH WEIGHT: 30 LBS.
 INSTALL TIME
 PROFESSIONAL: 30 MINUTES
 NOVICE (DIY): 60 MINUTES
 INSTALL NOTES:
 -NO DRILLING REQUIRED

DESIGNED FOR USE WITH BALLMOUNT #D-21/45521

INSTALLATION STEPS

- 1) Raise hitch into position.
- 2) Attach, finger tight, with (3) M12 hex bolts and 1/2" conical toothed washers and (1) M8 hex bolt with a 3/8" conical washer per side.
- 3) Torque all M12 hardware to 86 ft.-lb. and all M8 hardware to 23 ft.-lb.

PERIODICALLY CHECK THIS RECEIVER HITCH TO ENSURE THAT ALL FASTENERS ARE TIGHT AND THAT ALL STRUCTURAL COMPONENTS ARE SOUND.