

YEARS: 2015

MAKE: MINI

MODEL: COOPER 2 DOOR

STYLE: HATCHBACK

WEIGHT CARRYING:
TRAILER WEIGHT: 2,000 LBS.
TONGUE WEIGHT: 200 LBS.

PRO INSTALL TIME: 60 MIN.
NOVICE INSTALL TIME: 120 MIN.

IF YOU ARE HESITANT TO UNDERTAKE THIS TASK ON YOUR OWN, CONTACT AN AUTHORIZED CURT INSTALLER FOR ADDITIONAL ASSISTANCE.

INSTALLATION REQUIRES:

SAFETY GLASSES	8mm 10mm 18mm SOCKET	6" SOCKET EXTENSION
RATCHET	TORQUE WRENCH	

INSTALLATION TIPS:

1. BEFORE YOU BEGIN INSTALLATION, READ ALL INSTRUCTIONS THOROUGHLY.
2. TO EASE INSTALLATION, 2 PEOPLE MAY BE REQUIRED.
3. USING PROPER TOOLS WILL GREATLY IMPROVE THE QUALITY OF THE INSTALL AND REDUCE THE TIME REQUIRED.

LEVEL OF DIFFICULTY: CHALLENGING

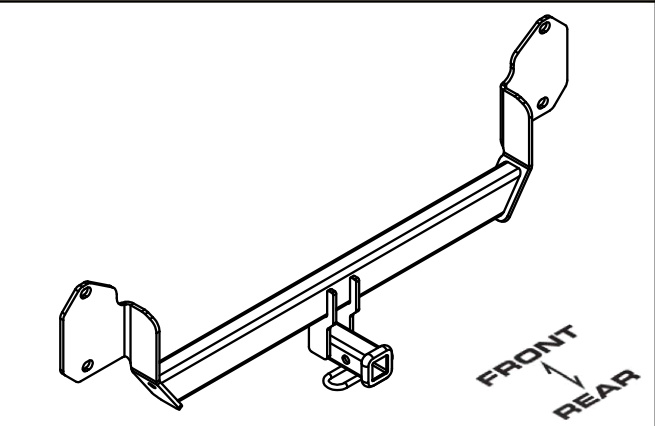
EASY	MODERATE	CHALLENGING
NO DRILLING		
TRIM	TRIM HEAT SHEILD	

VEHICLE PHOTO:



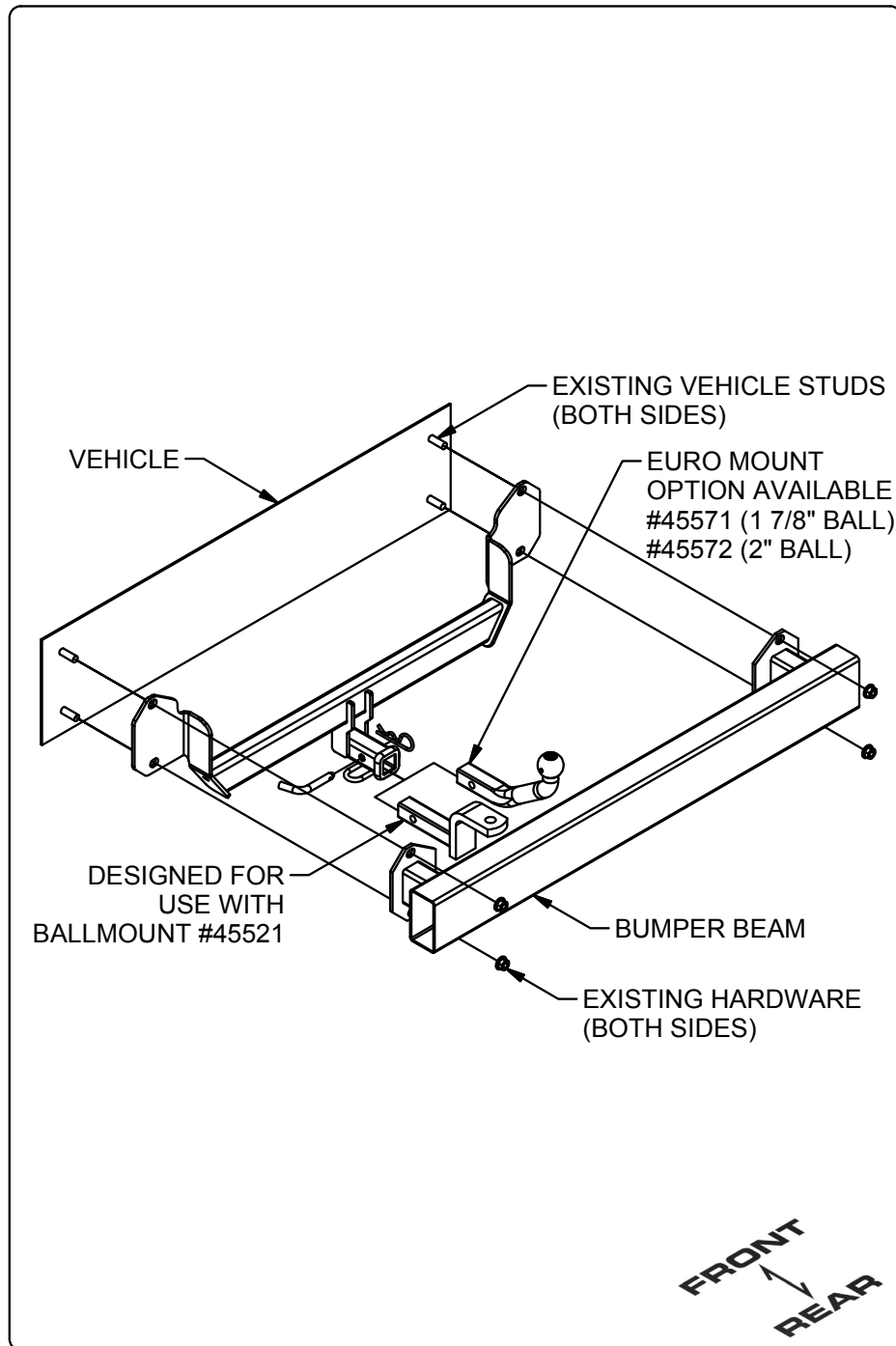
REPRESENTATIVE PHOTO

HITCH ILLUSTRATION:

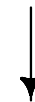


MAKE SURE YOUR HITCH MATCHES

INSTALLATION WALKTHROUGH:



1. Remove tail lights by first removing chrome trim. Second remove (3) screws from each light. Third open the panel inside the car and remove the bulb assembly by squeezing plastic clips then pulling away from the tail light housing. Finally release the (3) plastic tabs holding in the tail light housing and remove from vehicle.

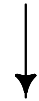


2. Pull fender flair away from bumper cover to access the hidden fastener. Release side marker bulb from fender flair. Use an offset phillips screwdriver or wrench with a phillips drive bit to remove the hidden fastener. Repeat for the other side.

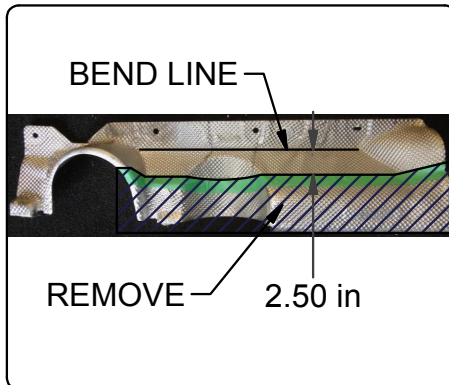


INSTALLATION WALKTHROUGH:

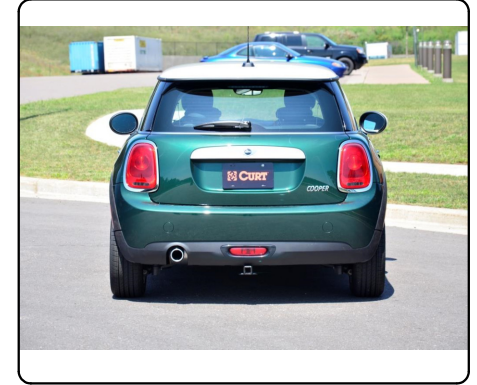
3. Remove remaining fasteners securing bumper cover to the vehicle. Remove bumper cover and place in a safe place to prevent damage. Remove bumper beam by removing (4) M12-1.5 nuts. Save for reinstallation in Step 5.



4. Remove plastic bumper support by removing (6) nuts. Remove heat shield by removing (2) remaining nuts. Trim heat shield using trim diagram below for reference and reinstall heat shield.



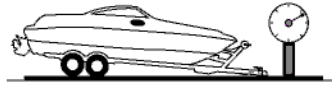
5. Raise hitch into position over bumper beam studs. Reinstall plastic bumper support. Then reinstall the bumper beam securing with nuts removed in Step 3. Torque M12 nuts to 79 ft-lbs. Reinstall bumper cover by reversing Steps 1-3.



TOWING SAFETY INFORMATION

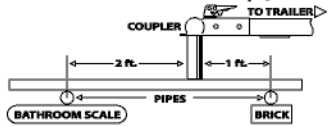
Gross Trailer Weight / GTW

The Gross Trailer Weight is the weight of the trailer & cargo. Measure this by putting the fully loaded trailer on a vehicle scale.



Tongue Weight / TW

The downward force that is exerted on the hitch ball by the coupler. The tongue weight will vary depending on where the load is positioned in relationship to the trailer axle(s). To measure the tongue weight, use either a commercial scale or a bathroom scale with the coupler at towing height. When using a bathroom scale with heavier tongue weights, use the method shown and multiply the scale reading by 3.



Weight Carrying / WC

The total weight of both the trailer and the cargo inside. Never exceed the weight capacity of your trailer hitch.

Weight Distribution / WD

Used to balance the weight of the cargo between the front and rear wheels throughout the trailer, allowing for better steering, braking, and level riding.



Sway Control

A device used to reduce the lateral movements of the trailer that are caused by the wind. This works in conjunction with a weight distribution hitch. Do not use this on a class 1 or 2 hitch, or with surge brakes.

How Much Can You Safely Tow?

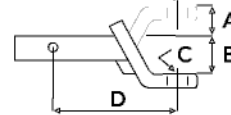
TONGUE WEIGHT (lb)	1000	2000	3000	4000	5000	6000	7000	8000	10,000	12,000
Tongue weight should be about 10 to 15 percent of the gross trailer weight.										
CLASS 1										
CLASS 2										
CLASS 3										
CLASS 4										
CLASS 5										
TRAILER TYPE										
Camper	11'	12'	13'	14'	15'	16'				
lbs.	1100	1200	1300	1400	1500	1600				
Vacation	18'	19'	20'	21'	22'	24'	26'	28'	30'	32'
lbs.	2100	2400	2700	3000	3300	3600	3900	4200	4500	4800
Vacation	18'	19'	20'	21'	22'	24'	26'	28'	30'	32'
lbs.	2800	3200	3600	4000	4400	4800	5200	5600	6000	6400
5th Wheel										

Refer to owner's manual for towing capabilities and limitations.

Ball Mount

The ball mount is placed inside the opening of the receiver hitch which is mounted to the vehicle. Make sure a hitch pin and clip is properly securing the ball mount to the receiver hitch before you begin towing.

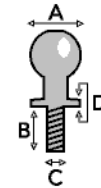
- A: Rise. B: Drop. C: Hole Size. D: Length.



Trailer Ball

The connection from the hitch to the trailer. There are many factors that determine the correct hitch ball:

- Number one is the hitch ball's gross trailer weight rating.
- The mounting platform must be at least 3/8" thick.
- The hole diameter must not be more than 1/16" larger than the threaded shank.
- Every time you tow, check the nut and lock washer to make sure they are fastened securely.
- A: Ball Dia. B: Shank Length. C: Shank Dia. D: Shank Rise.



Coupler

The component that is placed over the trailer ball to connect the vehicle to the trailer. Be sure that the coupler size matches the size of the hitch ball and that the coupler handle is securely fastened. To determine what size hitch ball you need for your application you will need to know the size of coupler that is on the trailer. Be sure your coupler is properly adjusted to the ball you are using.

NOTE: For added security the use of safety devices such as Coupler Safety Pins and Locks is strongly recommended.

Safety Chains

Safety chains are a requirement and should be crossed under the tongue of the trailer so that the tongue will not drop to the road if it becomes separated from the hitch. Always leave enough slack so you can turn. Never allow the safety chains to drag on the ground and never attach the chains to the bumper.

Trailer Classification: Safety Chain Breaking Force - Minimum

Class 1: 2,000 lbs. (8.9 kN)

Class 2: 3,500 lbs. (15.6 kN)

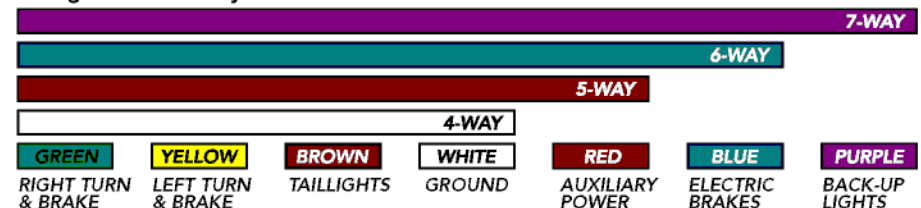
Class 3: 5,000 lbs. (22.2 kN)

The strength rating of each length of safety chain or its equivalent and its attachments shall be equal to or exceed in minimum breaking force the GVWR (Gross Vehicle Weight Rating) of the trailer.

Electrical

Trailer lights, Electric Brakes, Break-away systems - Every time you tow, be sure to check that all components are working properly.

Wiring identification by color:



CURT DISCLAIMER: WIRING COLOR SHOWN WORK IN CONJUNCTION WITH CURT MANUFACTURING PRODUCTS.

11417

MINI COOPER HATCHBACK 2 DOOR

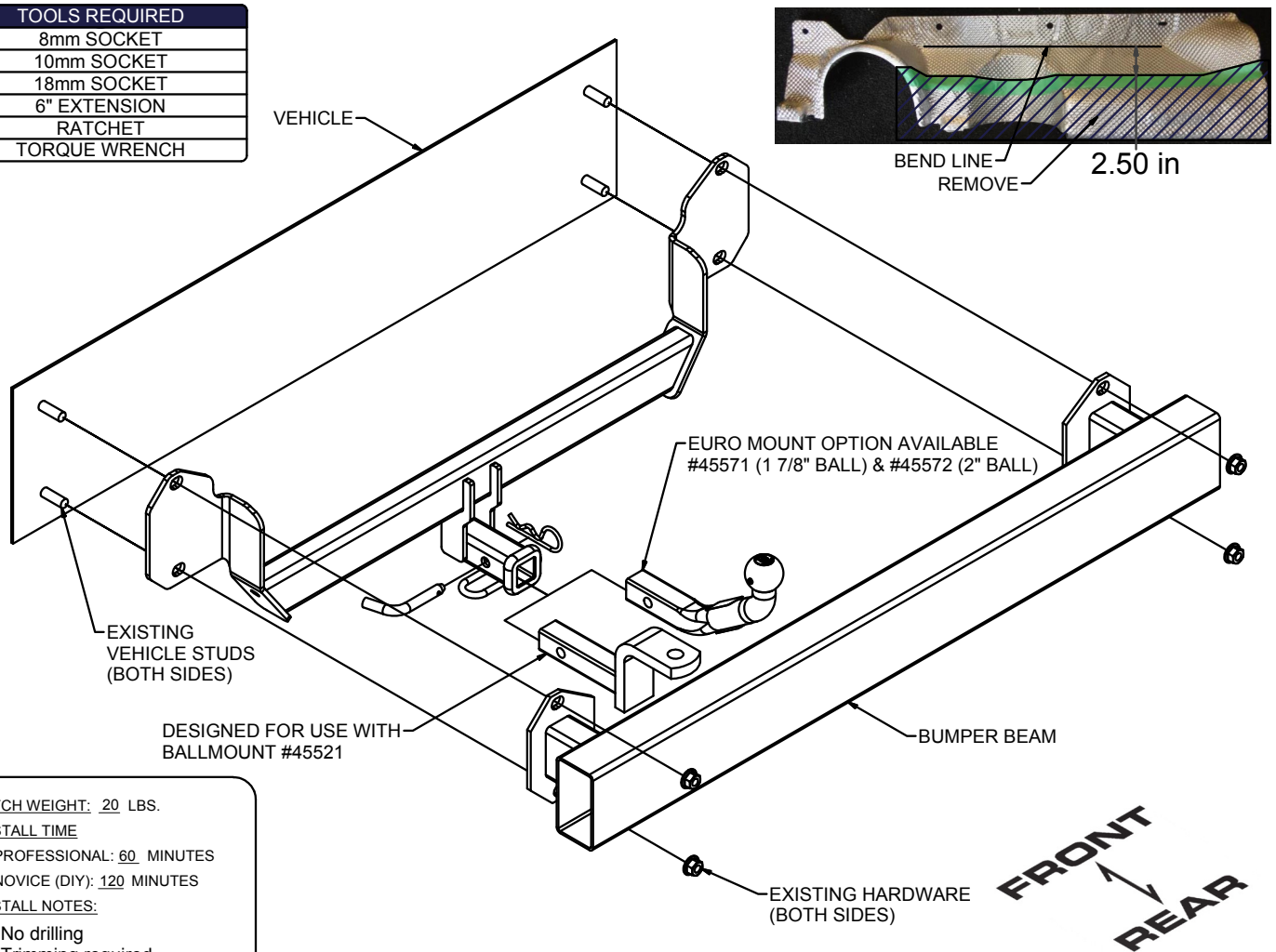
GROSS LOAD CAPACITY WHEN USED AS A WEIGHT CARRYING HITCH: 2,000 LBS. TRAILER WEIGHT & 200 LBS. TONGUE WEIGHT.
 WARNING: ALL NON-TRAILER LOADS APPLIED TO THIS PRODUCT MUST BE SUPPORTED BY 18050 STABILIZING STRAPS.



WARNING: ** FAILURE TO PROPERLY SUPPORT NON-TRAILER LOADS WILL VOID PRODUCT WARRANTY **



TOOLS REQUIRED
8mm SOCKET
10mm SOCKET
18mm SOCKET
6" EXTENSION
RATCHET
TORQUE WRENCH



HITCH WEIGHT: 20 LBS.

INSTALL TIME

PROFESSIONAL: 60 MINUTES

NOVICE (DIY): 120 MINUTES

INSTALL NOTES:

- No drilling
- Trimming required

INSTALLATION STEPS

1. Remove tail lights by first removing chrome trim. Second remove (3) screws from each light. Third open the panel inside the car and remove the bulb assembly by squeezing plastic clips then pulling away from the tail light housing. Finally release the (3) plastic tabs holding in the tail light housing and remove from vehicle.
2. Pull fender flair away from bumper cover to access the hidden fastener. Release side marker bulb from fender flair. Use an offset phillips screwdriver or wrench with a phillips drive bit to remove the hidden fastener. Repeat for the other side.
3. Remove remaining fasteners from bumper cover. Remove bumper and place in a safe place to prevent damage.
4. Remove bumper beam by removing (4) M12-1.5 nuts. Save for reinstallation in Step 6.
5. Remove driver side plastic bumper support by removing (6) nuts. Remove heat shield by removing (2) remaining nuts. Trim heat shield using trim diagram above for reference and reinstall heat shield.
6. Raise hitch into position over bumper beam studs. Reinstall plastic bumper support. Then reinstall the bumper beam securing with nuts removed in Step 4. Torque M12 nuts to 79 ft-lbs.
7. Reinstall bumper cover by reversing Steps 1-3.