



Safety glasses should be worn at all times while installing this product.

YEARS: 2014-PRESENT

MAKE: INFINITI

MODEL: Q50

STYLE: SEDAN

WARNING: NEVER EXCEED YOUR VEHICLE MANUFACTURER'S RECOMMENDED TOWING CAPACITY

WEIGHT CARRYING:
 TRAILER WEIGHT: 2,000 LBS.
 TONGUE WEIGHT: 200 LBS.

PRO INSTALL TIME: 20 MIN.
NOVICE INSTALL TIME: 40 MIN.

IF YOU ARE HESITANT TO UNDERTAKE THIS TASK ON YOUR OWN, CONTACT AN AUTHORIZED CURT INSTALLER FOR ADDITIONAL ASSISTANCE.


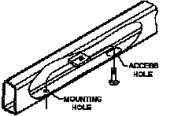
INSTALLATION REQUIRES:

 RATCHET	 TORQUE WRENCH	 SOCKET EXTENSION
 11/16" 12mm SOCKET	 DIE GRINDER	 SAFETY GLASSES

INSTALLATION TIPS:

- BEFORE YOU BEGIN INSTALLATION, READ ALL INSTRUCTIONS THOROUGHLY.
- TO EASE INSTALLATION, 2 PEOPLE MAY BE REQUIRED.
- USING PROPER TOOLS WILL GREATLY IMPROVE THE QUALITY OF THE INSTALL AND REDUCE THE TIME REQUIRED.

LEVEL OF DIFFICULTY: MODERATE

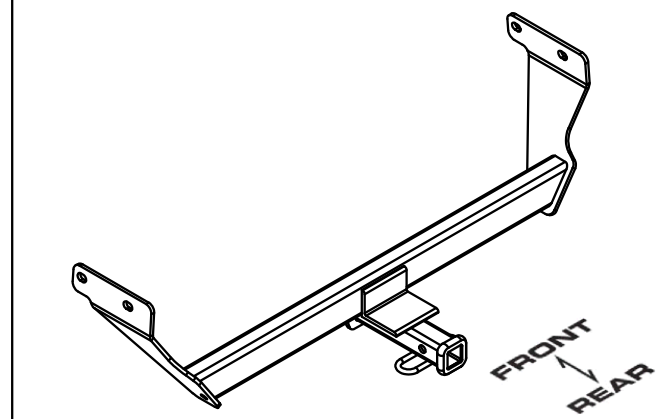
EASY	MODERATE	CHALLENGING
	- ENLARGE ACCESS HOLE	
	- FISHWIRE HARDWARE	

VEHICLE PHOTO:



REPRESENTATIVE PHOTO

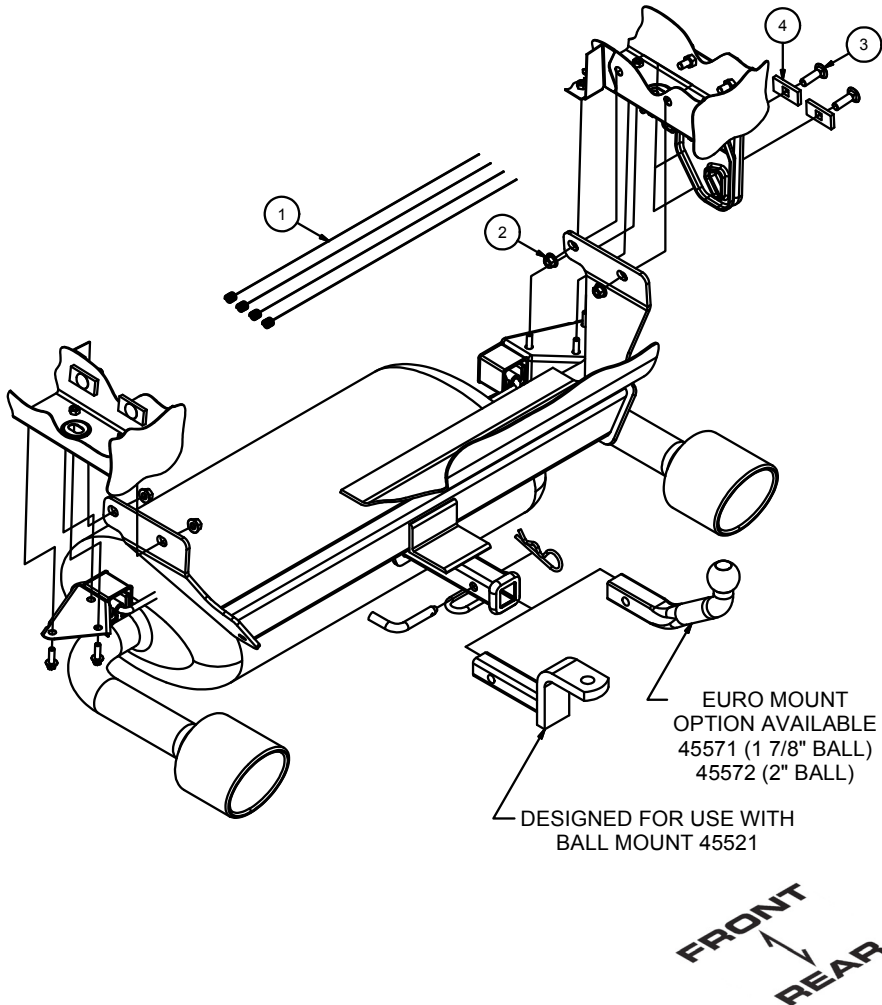
HITCH ILLUSTRATION:



MAKE SURE YOUR HITCH MATCHES

INSTALLATION WALKTHROUGH:

Parts List			
ITEM	QTY	PART NUMBER	DESCRIPTION
1	4	7_16 FISHWIRE	7/16" FISHWIRE
2	4	7/16-14	HEX FLANGE NUT
3	4	7/16-14 x 1 1/2	CARRIAGE BOLT
4	4	CM-SP7	.250 x 1.00 x 2.00" SQUARE HOLE SPACER



1. Lower exhaust by removing (6) bolts from the muffler brackets, retain bolts for reinstallation.



2. Enlarge the access holes to allow the carriage bolts and spacers to pass through.



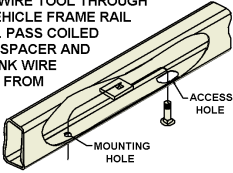
INSTALLATION WALKTHROUGH:

3. Fishwire the 7/16" bolts and SP2 spacers through the enlarged access hole and out the existing holes in the side of the frame rail, as shown. **Note:** Leave fishwires attached to prevent loss into the frame rails. Push the carriage bolts back into the frame rail prior to raising the hitch into position.

FISHWIRE TECHNIQUE

INSERT COILED END OF FISHWIRE TOOL THROUGH HITCH MOUNTING HOLE IN VEHICLE FRAME RAIL AND OUT THE ACCESS HOLE. PASS COILED END OF FISHWIRE THROUGH SPACER AND THREAD BOLT INTO COIL. KINK WIRE TO KEEP SPACER SEPERATE FROM BOLT AS SHOWN. PULL FISHWIRE, SPACER, AND BOLT THROUGH FRAME AND OUT MOUNTING HOLE. USE FISHWIRE TO GUIDE HITCH DURING MOUNTING AND PREVENT LOSS OF BOLT / SPACER INSIDE FRAME RAIL.

NOTE: SOME VEHICLES MAY FISHWIRE THROUGH END OF FRAME



4. Raise hitch into position and pull the fishwires and carriage bolts through the side plates. **Note:** Feed the fishwires through the mouting holes while raising the hitch. Remove the fishwires from the carriage bolts and secure the hitch with 7/16" flange nuts.



5. Torque all 7/16" hardware to 70 ft-lbs. Re-attach muffler brackets removed in Step 1. Torque all M8 muffler bracket hardware to 23 ft-lbs.



INSTALLATION COMPLETE



11407

INFINITI Q50

GROSS LOAD CAPACITY WHEN USED AS A WEIGHT CARRYING HITCH: 2,000 LBS. TRAILER WEIGHT & 200 LBS. TONGUE WEIGHT.

DO NOT EXCEED VEHICLE MANUFACTURER'S RECOMMENDED TOWING CAPACITY.

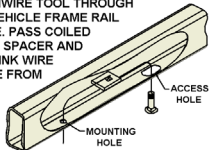
WARNING: ALL NON-TRAILER LOADS APPLIED TO THIS PRODUCT MUST BE SUPPORTED BY 18050 STABILIZING STRAPS.

** FAILURE TO PROPERLY SUPPORT NON-TRAILER LOADS WILL VOID PRODUCT WARRANTY**

Parts List			
ITEM	QTY	PART NUMBER	DESCRIPTION
1	4	7_16 FISHWIRE	7/16" FISHWIRE
2	4	7/16-14	HEX FLANGE NUT
3	4	7/16-14 x 1 1/2	CARRIAGE BOLT
4	4	CM-SP7	.250 x 1.00 x 2.00" SQUARE HOLE SPACER

FISHWIRE TECHNIQUE

INSERT COILED END OF FISHWIRE TOOL THROUGH HITCH MOUNTING HOLE IN VEHICLE FRAME RAIL AND OUT THE ACCESS HOLE. PASS COILED END OF FISHWIRE THROUGH SPACER AND THREAD BOLT INTO COIL. KINK WIRE TO KEEP SPACER SEPERATE FROM BOLT AS SHOWN. PULL FISHWIRE, SPACER, AND BOLT THROUGH FRAME AND OUT MOUNTING HOLE. USE FISHWIRE TO GUIDE HITCH DURING MOUNTING AND PREVENT LOSS OF BOLT / SPACER INSIDE FRAME RAIL.



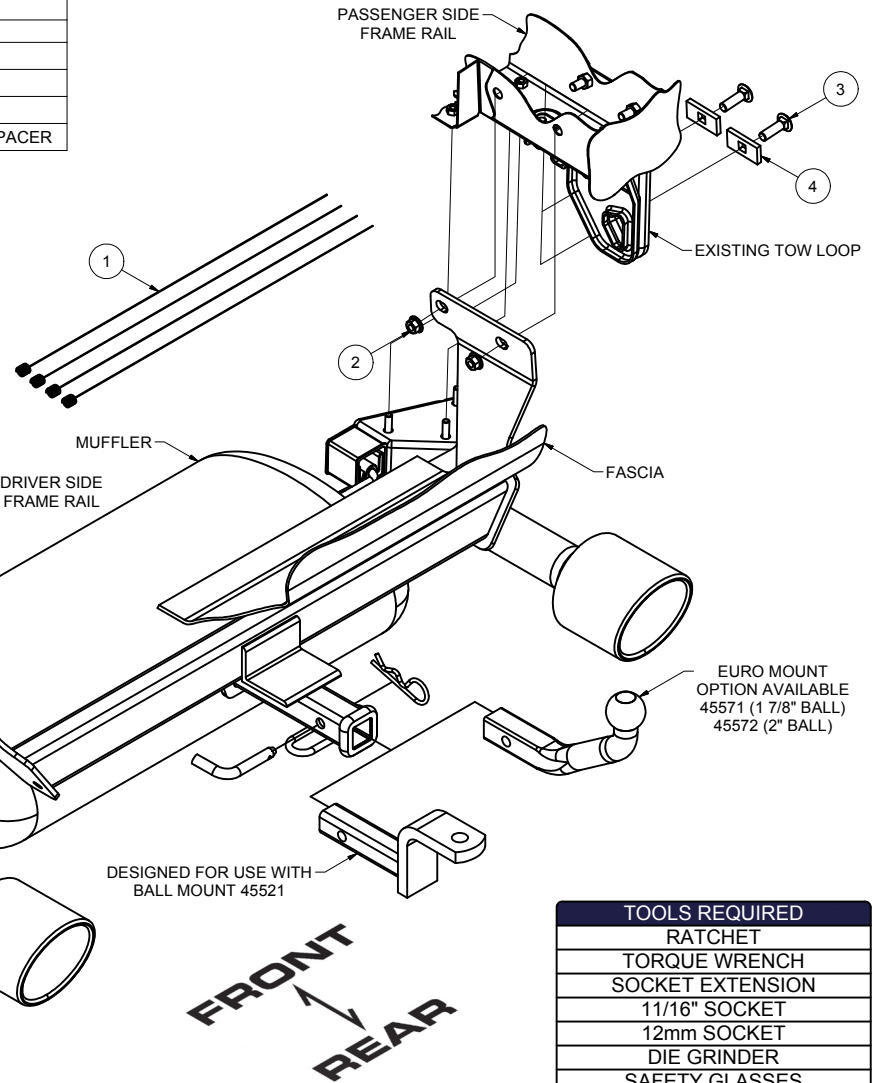
"NOTE: SOME VEHICLES MAY FISHWIRE THROUGH END OF FRAME"



ENLARGED ACCESS HOLE (BOTH SIDES)

MUFFLER BRACKET (BOTH SIDES)

EXISTING BOLTS (BOTH SIDES)



HITCH WEIGHT: 23 LBS.

INSTALL TIME

PROFESSIONAL: 20 MINUTES

NOVICE (DIY): 40 MINUTES

INSTALL NOTES:

- ENLARGE ACCESS HOLE
- FISHWIRE HARDWARE
- TEMPORARILY LOWER EXHAUST

TOOLS REQUIRED

- RATCHET
- TORQUE WRENCH
- SOCKET EXTENSION
- 11/16" SOCKET
- 12mm SOCKET
- DIE GRINDER
- SAFETY GLASSES

INSTALLATION STEPS

1. Lower exhaust by removing (6) bolts from the muffler brackets, retain bolts for reinstallation.
2. Enlarge the access holes to allow the 7/16" carriage bolts and spacers to pass through.
3. Fishwire the 7/16" bolts and SP2 spacers through the enlarged access hole and out the existing holes in the side of the frame rail, as shown. **Note:** Leave fishwires attached to prevent loss into the frame rails. Push the carriage bolts back into the frame rail prior to raising the hitch into position.
4. Raise hitch into position and pull the fishwires and carriage bolts through the side plates. **Note:** Feed the fishwires through the mouting holes while raising the hitch.
5. Remove the fishwires from the carriage bolts and secure the hitch with 7/16" flange nuts.
6. Torque all 7/16" hardware to 70 ft-lbs.
7. Re-attach muffler brackets removed in Step 1. Torque all M8 muffler bracket hardware to 23 ft-lbs.

PERIODICALLY CHECK THIS RECEIVER HITCH TO ENSURE THAT ALL FASTENERS ARE TIGHT AND THAT ALL STRUCTURAL COMPONENTS ARE SOUND.