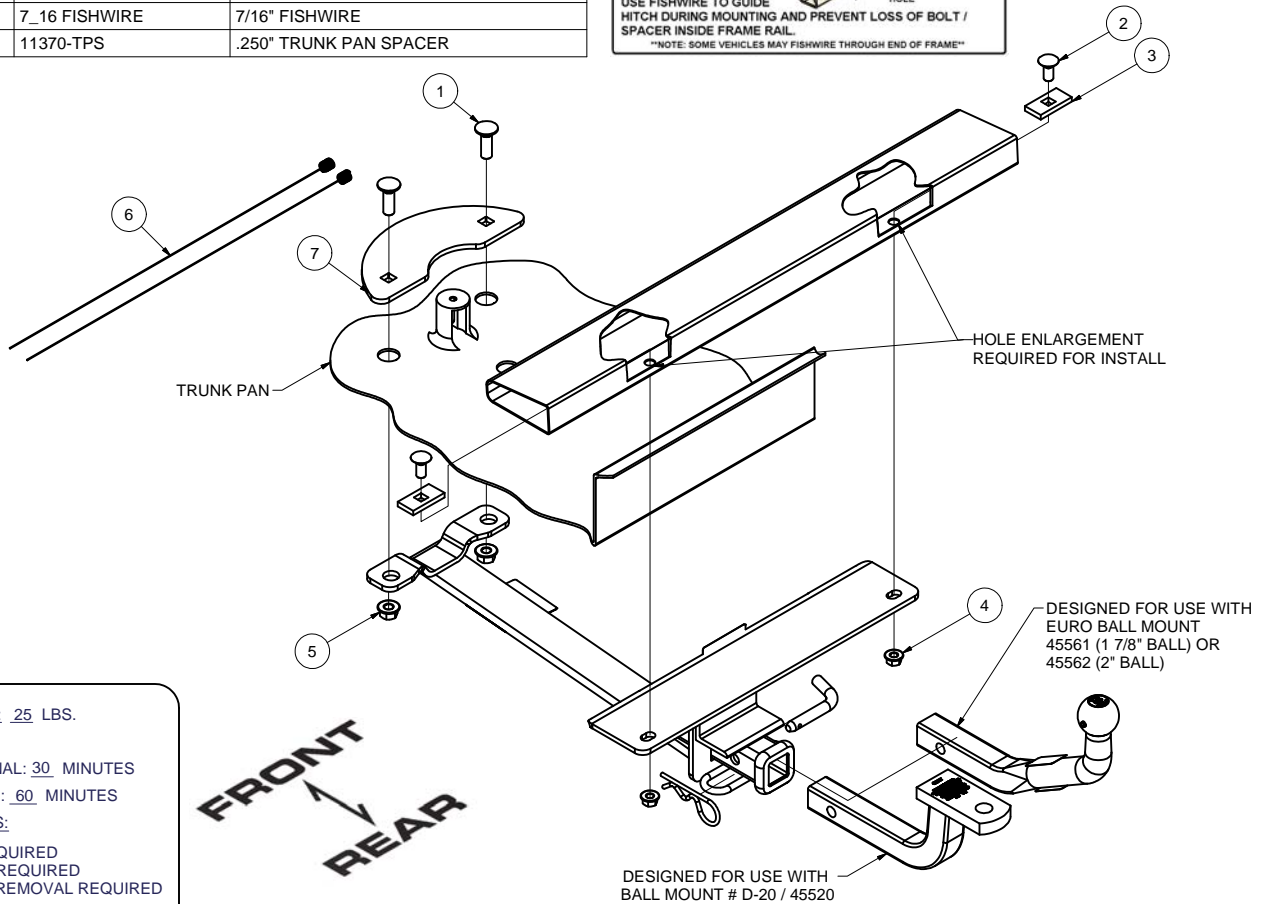
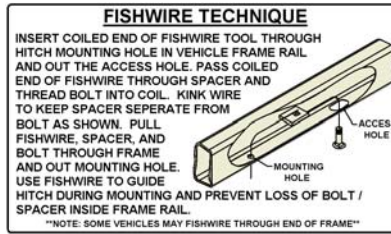


11370**NISSAN SENTRA 2.0****GROSS LOAD CAPACITY WHEN USED AS A WEIGHT CARRYING HITCH: 2,000 LBS. TRAILER WEIGHT & 200 LBS. TONGUE WEIGHT.*******DO NOT EXCEED VEHICLE MANUFACTURER'S RECOMMENDED TOWING CAPACITY.*******WARNING: ALL NON-TRAILER LOADS APPLIED TO THIS PRODUCT MUST BE SUPPORTED BY AUXILIARY STABILIZING STRAPS.****** FAILURE TO PROPERLY SUPPORT NON-TRAILER LOADS WILL VOID PRODUCT WARRANTY****

Parts List			
ITEM	QTY	PART NUMBER	DESCRIPTION
1	2	1/2-13 x 1 1/2	CARRIAGE BOLT
2	2	7/16-14 x 1	CARRIAGE BOLT
3	2	CM-SP7	.250 x 1.00 x 2.00" SQUARE HOLE SPACER
4	2	7/16-14	HEX FLANGE NUT
5	2	HFN 1213	HEX FLANGE NUT
6	2	7_16 FISHWIRE	7/16" FISHWIRE
7	1	11370-TPS	.250" TRUNK PAN SPACER



HITCH WEIGHT: 25 LBS.

INSTALL TIME

PROFESSIONAL: 30 MINUTES

NOVICE (DIY): 60 MINUTES

INSTALL NOTES:

- DRILLING REQUIRED
- FISHWIRING REQUIRED
- SPARE TIRE REMOVAL REQUIRED

INSTALLATION STEPS

- 1) Remove spare tire from trunk, remove rubber plugs.
- 2) Install trunk pan spacer with (2) 1/2" carriage bolts.
- 3) Enlarge two holes in bumper beam which line up with outer two holes in hitch plate.
- 4) Fishwire (2) 7/16" carriage bolts with SP7 spacers from end of bumper beam to enlarged holes.
- 5) Raise hitch into position and finger tighten in place with (2) 1/2" and (2) 7/16" flange nuts.
- 6) Torque all 7/16" hardware to 70 ft.-lb. and all 1/2" hardware to 110 ft.-lb.
- 7) Return spare tire to trunk.

PERIODICALLY CHECK THIS RECEIVER HITCH TO ENSURE THAT ALL FASTENERS ARE TIGHT AND THAT ALL STRUCTURAL COMPONENTS ARE SOUND.