



Safety glasses should be worn at all times while installing this product.

YEARS: 2014

MAKE: MAZDA

MODEL: 6

STYLE: SEDAN

WARNING: NEVER EXCEED YOUR VEHICLE MANUFACTURER'S RECOMMENDED TOWING CAPACITY

WEIGHT CARRYING:
 TRAILER WEIGHT: 2,000 LBS.
 TONGUE WEIGHT: 200 LBS.

PRO INSTALL TIME: 20 MIN.
NOVICE INSTALL TIME: 40 MIN.

IF YOU ARE HESITANT TO UNDERTAKE THIS TASK ON YOUR OWN, CONTACT AN AUTHORIZED CURT INSTALLER FOR ADDITIONAL ASSISTANCE.

INSTALLATION REQUIRES:

		3/4"
SAFETY GLASSES	RATCHET	SOCKET
6"		
SOCKET EXTENSION	TORQUE WRENCH	

INSTALLATION TIPS:

- BEFORE YOU BEGIN INSTALLATION, READ ALL INSTRUCTIONS THOROUGHLY.
- TO EASE INSTALLATION, 2 PEOPLE MAY BE REQUIRED.
- USING PROPER TOOLS WILL GREATLY IMPROVE THE QUALITY OF THE INSTALL AND REDUCE THE TIME REQUIRED.

LEVEL OF DIFFICULTY: EASY

EASY / **MODERATE** / **CHALLENGING**

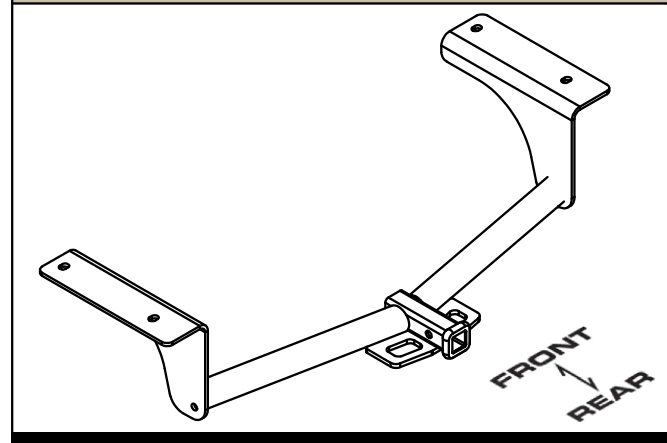
	NO DRILLING REQUIRED
	FISHWIRING REQUIRED

VEHICLE PHOTO:



REPRESENTATIVE PHOTO

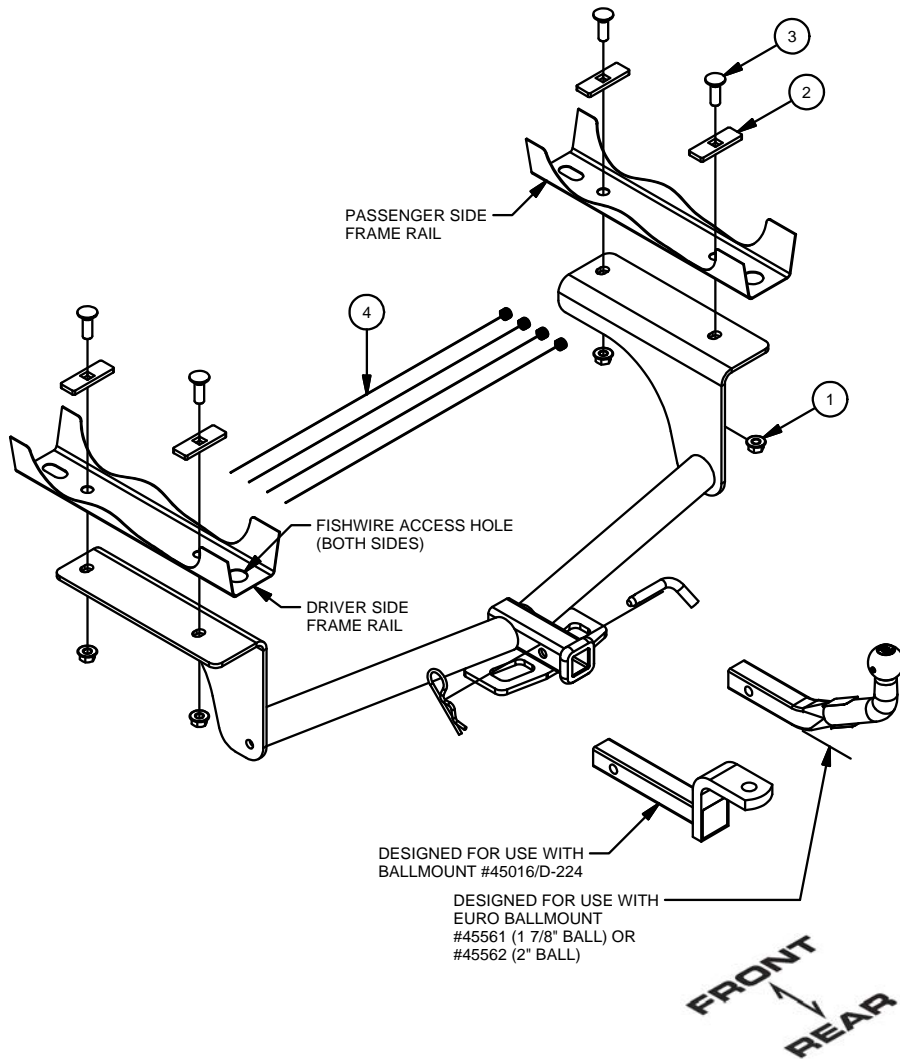
HITCH ILLUSTRATION:



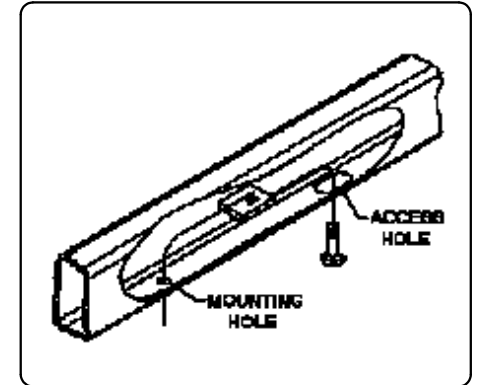
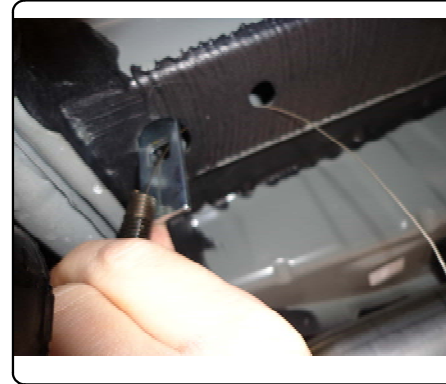
MAKE SURE YOUR HITCH MATCHES

INSTALLATION WALKTHROUGH:

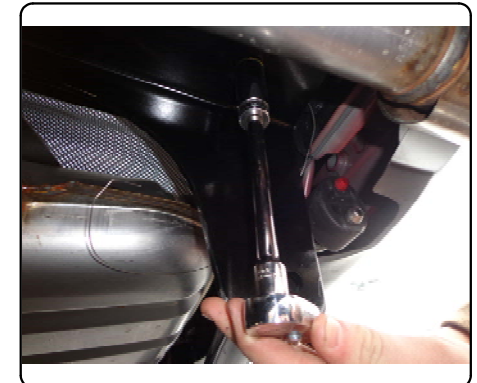
Parts List			
ITEM	QTY	PART NUMBER	DESCRIPTION
1	4	HFN 1213, GR8	HEX FLANGE NUT
2	4	CM-SP6	.250 x 1.00 x 3.00" SQUARE HOLE SPACER
3	4	1/2-13 x 1 1/2, GR8	CARRIAGE BOLT
4	4	1_2 FISHWIRE	1/2" FISHWIRE



1) Fishwire the four (4) 1/2-13 carriage bolts and the CM-SP6 spacers into the vehicle frame through the access holes as shown. Refer to the "Fishwire Technique" diagram.



- 2) Raise the hitch into position, being careful not to push the bolts up into the vehicle frame.
- 3) Remove the fishwire from the bolts and secure the hitch into position using the 1/2-13 hex flange nuts.



INSTALLATION WALKTHROUGH:

4) Torque all 1/2-13 fasteners to 110 lb-ft.



Installation is complete.



11356

MAZDA 6

GROSS LOAD CAPACITY WHEN USED AS A WEIGHT CARRYING HITCH: 2,000 LBS. TRAILER WEIGHT & 200 LBS. TONGUE WEIGHT.

DO NOT EXCEED VEHICLE MANUFACTURER'S RECOMMENDED TOWING CAPACITY.

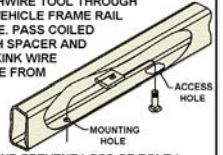
WARNING: ALL NON-TRAILER LOADS APPLIED TO THIS PRODUCT MUST BE SUPPORTED BY 18050 STABILIZING STRAPS.

** FAILURE TO PROPERLY SUPPORT NON-TRAILER LOADS WILL VOID PRODUCT WARRANTY**

Parts List			
ITEM	QTY	PART NUMBER	DESCRIPTION
1	4	HFN 1213, GR8	HEX FLANGE NUT
2	4	CM-SP6	.250 x 1.00 x 3.00" SQUARE HOLE SPACER
3	4	1/2-13 x 1 1/2, GR8	CARRIAGE BOLT
4	4	1_2 FISHWIRE	1/2" FISHWIRE

FISHWIRE TECHNIQUE

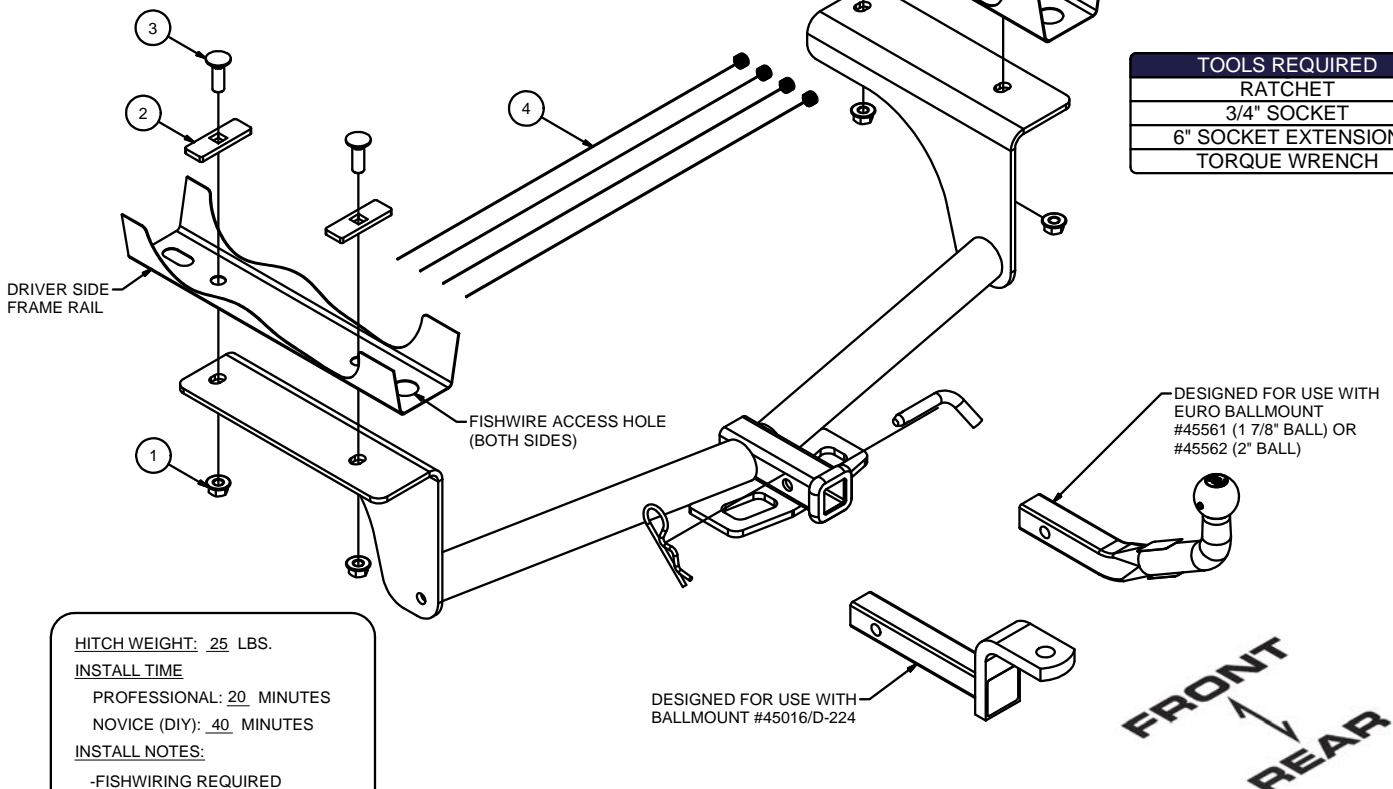
INSERT COILED END OF FISHWIRE TOOL THROUGH HITCH MOUNTING HOLE IN VEHICLE FRAME RAIL AND OUT THE ACCESS HOLE. PASS COILED END OF FISHWIRE THROUGH SPACER AND THREAD BOLT INTO COIL. KINK WIRE TO KEEP SPACER SEPERATE FROM BOLT AS SHOWN. PULL FISHWIRE, SPACER, AND BOLT THROUGH FRAME AND OUT MOUNTING HOLE. USE FISHWIRE TO GUIDE HITCH DURING MOUNTING AND PREVENT LOSS OF BOLT / SPACER INSIDE FRAME RAIL.
"NOTE: SOME VEHICLES MAY FISHWIRE THROUGH END OF FRAME"



PASSENGER SIDE
FRAME RAIL

TOOLS REQUIRED

RATCHET
3/4" SOCKET
6" SOCKET EXTENSION
TORQUE WRENCH



HITCH WEIGHT: 25 LBS.

INSTALL TIME

PROFESSIONAL: 20 MINUTES

NOVICE (DIY): 40 MINUTES

INSTALL NOTES:

-FISHWIRING REQUIRED

INSTALLATION STEPS

- 1) Fishwire the four (4) 1/2-13 carriage bolts and the CM-SP6 spacers into the vehicle frame through the access holes. Refer to the "Fishwire Technique" diagram.
- 2) Raise the hitch into position, being careful not to push the bolts up into the vehicle frame.
- 3) Remove the fishwire from the bolts and secure the hitch into position using the 1/2-13 hex flange nuts.
- 4) Torque all 1/2-13 fasteners to 110 lb-ft.

PERIODICALLY CHECK THIS RECEIVER HITCH TO ENSURE THAT ALL FASTENERS ARE TIGHT AND THAT ALL STRUCTURAL COMPONENTS ARE SOUND.