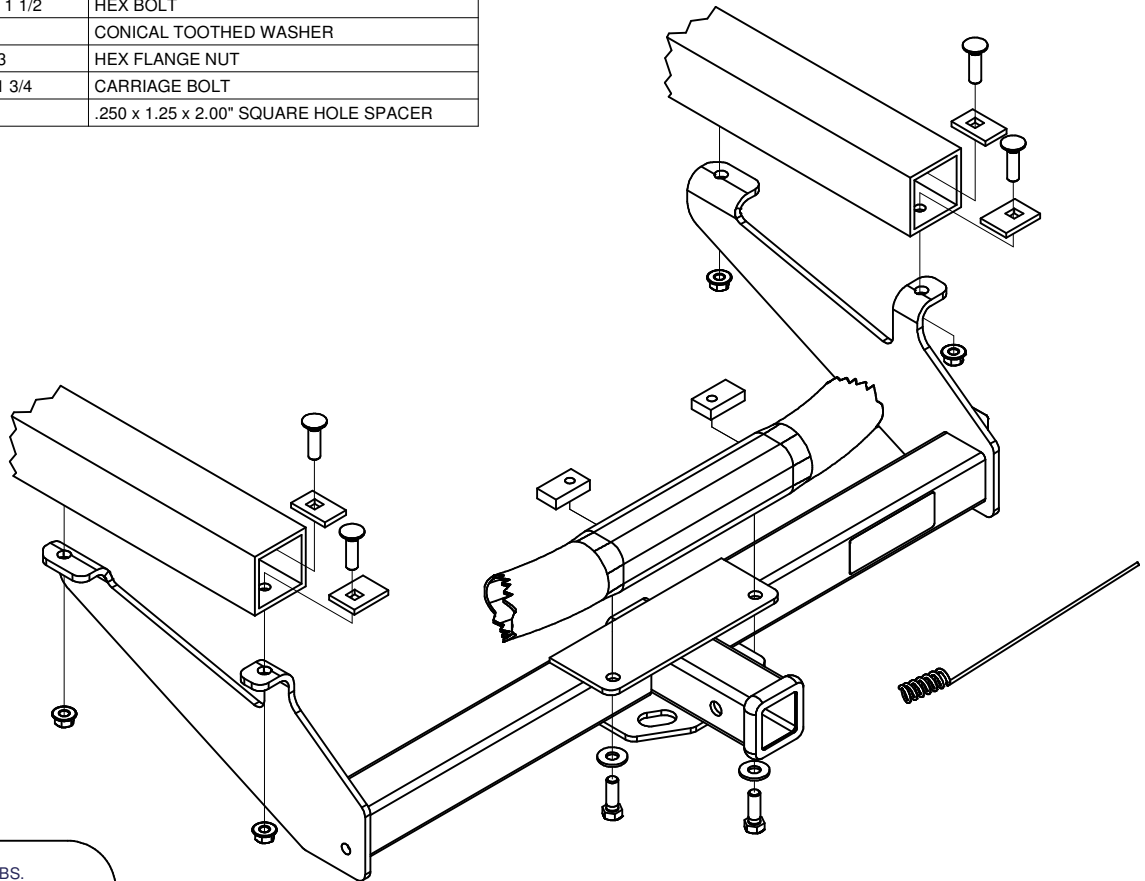


GROSS LOAD CAPACITY WHEN USED AS A WEIGHT CARRYING HITCH: 10,000 LBS. TRAILER WEIGHT & 1,000 LBS. TONGUE WEIGHT.  
 GROSS LOAD CAPACITY WHEN USED AS A WEIGHT DISTRIBUTION HITCH: 12,000 LBS. TRAILER WEIGHT & 1,200 LBS. TONGUE WEIGHT  
**\*\*\* DO NOT EXCEED VEHICLE MANUFACTURER'S RECOMMENDED TOWING CAPACITY.\*\*\***

Parts List			
ITEM	QTY	PART NUMBER	DESCRIPTION
1	1	1/2"	FISHWIRE TOOL
2	2	CM-SP1	.250 x 1.50 x 2.00" SQUARE HOLE SPACER
3	2	CM-SP5	.500 x 1.13 x 2.00" 1/2-13 THREADED SPACER
4	2	1/2 - 13 x 1 1/2	HEX BOLT
5	2	1/2"	CONICAL TOOTHED WASHER
6	4	HFN 1213	HEX FLANGE NUT
7	4	1/2-13 x 1 3/4	CARRIAGE BOLT
8	2	CM-SP3	.250 x 1.25 x 2.00" SQUARE HOLE SPACER



HITCH WEIGHT: 41 LBS.

INSTALL TIME: 40 MINUTES

INSTALL NOTES:

**NO DRILLING REQUIRED**

### INSTALLATION STEPS

- 1) Fishwire a carriage bolt and large spacer thru the end of the box frame and into the rearmost hole of the frame. Be sure the short side of the spacer faces the front of the vehicle. ( Both sides).
- 2) Fishwire a carriage bolt and small spacer thru the access slot located on the inside of the frame, and into the the available frame hole located above the axle. (Both sides)
- 3) Raise the hitch into position and attach a 1/2" flange nut to each carriage bolt. Do not tighten at this time.
- 4) With the hitch in place, insert the threaded block spacers thru the access slot on the back side of the bumper beam. While holding the nut in place insert the 1/2" hex bolts and conical washers provided. ( Both sides )
- 5) Torque the hardware to 110 lb.-ft.

**PERIODICALLY CHECK THIS RECEIVER HITCH TO ENSURE THAT ALL FASTENERS ARE TIGHT AND THAT ALL STRUCTURAL COMPONENTS ARE SOUND.**