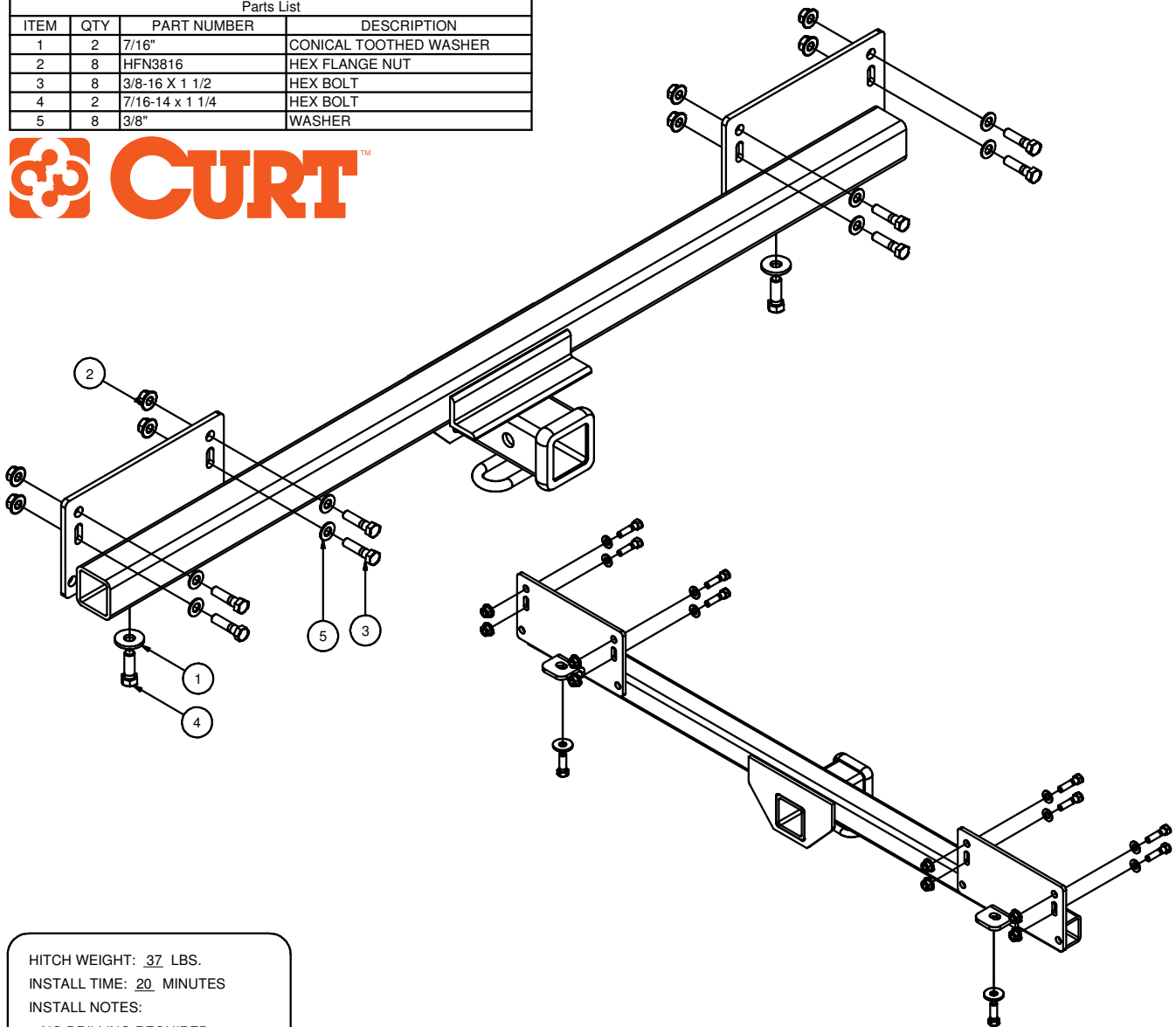


13657

86-96 JEEP WRANGLER (EXCEPT RENEGADE)

GROSS LOAD CAPACITY WHEN USED AS A WEIGHT CARRYING HITCH: 3,500 LBS. TRAILER WEIGHT & 350 LBS. TONGUE WEIGHT.
*****DO NOT EXCEED VEHICLE MANUFACTURER'S RECOMMENDED TOWING CAPACITY.*****

Parts List			
ITEM	QTY	PART NUMBER	DESCRIPTION
1	2	7/16"	CONICAL TOOTHED WASHER
2	8	HFN3816	HEX FLANGE NUT
3	8	3/8-16 X 1 1/2	HEX BOLT
4	2	7/16-14 x 1 1/4	HEX BOLT
5	8	3/8"	WASHER



HITCH WEIGHT: 37 LBS.
 INSTALL TIME: 20 MINUTES
 INSTALL NOTES:
 - NO DRILLING REQUIRED

INSTALLATION STEPS

- 1) LOCATE EXISTING HOLES IN FRAME. RAISE THE HITCH INTO POSITION AND INSTALL FASTENERS AS SHOWN.
- 2) CHECK AND TIGHTEN ALL FASTENERS AS SPECIFIED BELOW:
 - TORQUE ALL 3/8" HARDWARE TO 45 FT-LBS.
 - TORQUE ALL 7/16" HARDWARE TO 70 FT-LBS.

PERIODICALLY CHECK THIS RECEIVER HITCH TO ENSURE THAT ALL FASTENERS ARE TIGHT AND THAT ALL STRUCTURAL COMPONENTS ARE SOUND.