

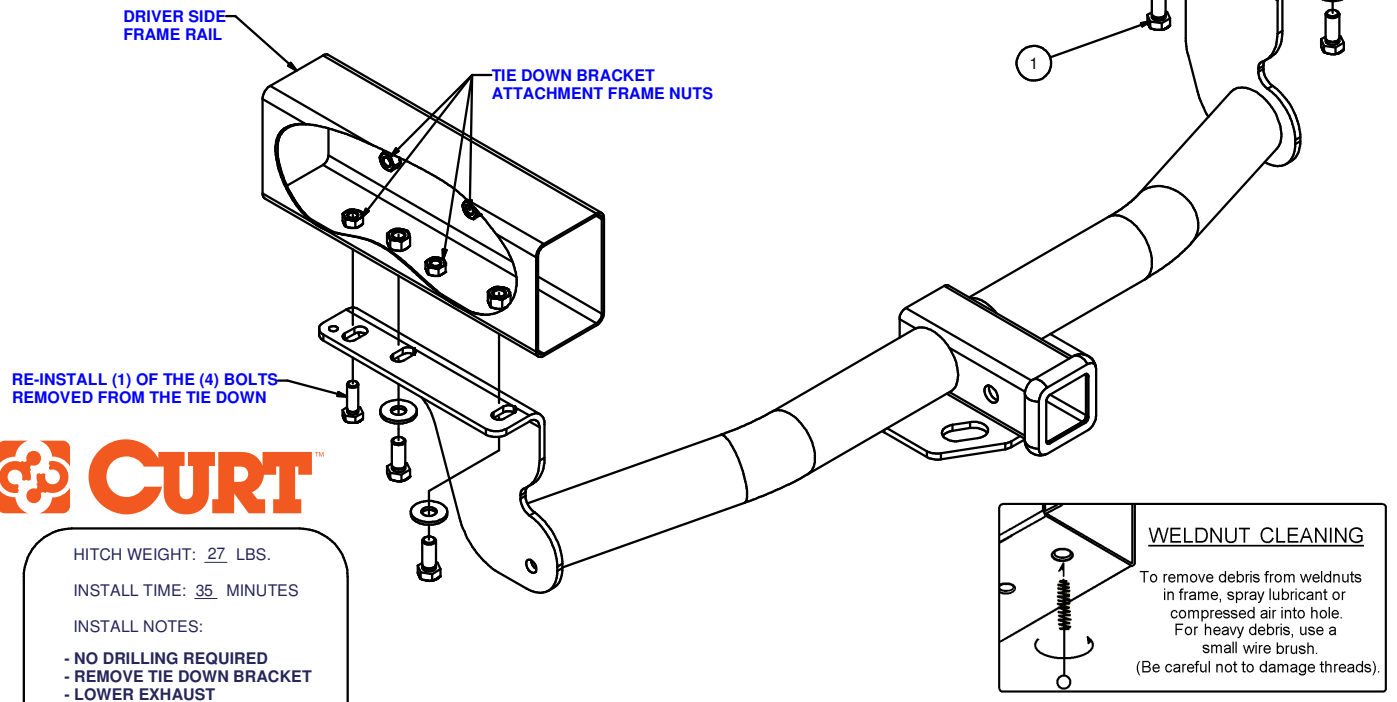
13577

NISSAN MURANO

GROSS LOAD CAPACITY WHEN USED AS A WEIGHT CARRYING HITCH: 4,000 LBS. TRAILER WEIGHT & 400 LBS. TONGUE WEIGHT.
 DO NOT EXCEED VEHICLE MANUFACTURER'S RECOMMENDED TOWING CAPACITY.

Parts List			
ITEM	QTY	PART NUMBER	DESCRIPTION
1	4	M12-1.25 x 30mm	HEX BOLT
2	4	1/2"	CONICAL TOOTHED WASHER

TOOLS REQUIRED	
RATCHET	
16mm SOCKET	
19mm SOCKET	
10" SOCKET EXTENSION	
TORQUE WRENCH	



CURT

HITCH WEIGHT: 27 LBS.

INSTALL TIME: 35 MINUTES

INSTALL NOTES:

- NO DRILLING REQUIRED
- REMOVE TIE DOWN BRACKET
- LOWER EXHAUST

INSTALLATION STEPS

- 1) Lower exhaust by removing (4) rubber exhaust isolators at rear of vehicle. Note: Spraying a lubricant or soapy water on the metal hanger rod and the rubber isolator helps removal.
- 2) Remove the (4) bolts holding the tie down bracket onto the vehicle and return all but (1) bolt to the owner. Bolt will be used later.
- 3) Use a M12-1.25 tap to clean under coating from frame nuts if required.
- 4) Raise hitch into position between exhaust tip(s) and attach to vehicle using the supplied 12mm bolts and washers. Install the factory bolt as shown above.
- 5) Torque all 8mm fasteners to 23 lb-ft and all 12mm fasteners to 86 lb-ft.
- 6) Re-install rubber exhaust isolators removed in step 1.

PERIODICALLY CHECK THIS RECEIVER HITCH TO ENSURE THAT ALL FASTENERS ARE TIGHT AND THAT ALL STRUCTURAL COMPONENTS ARE SOUND.