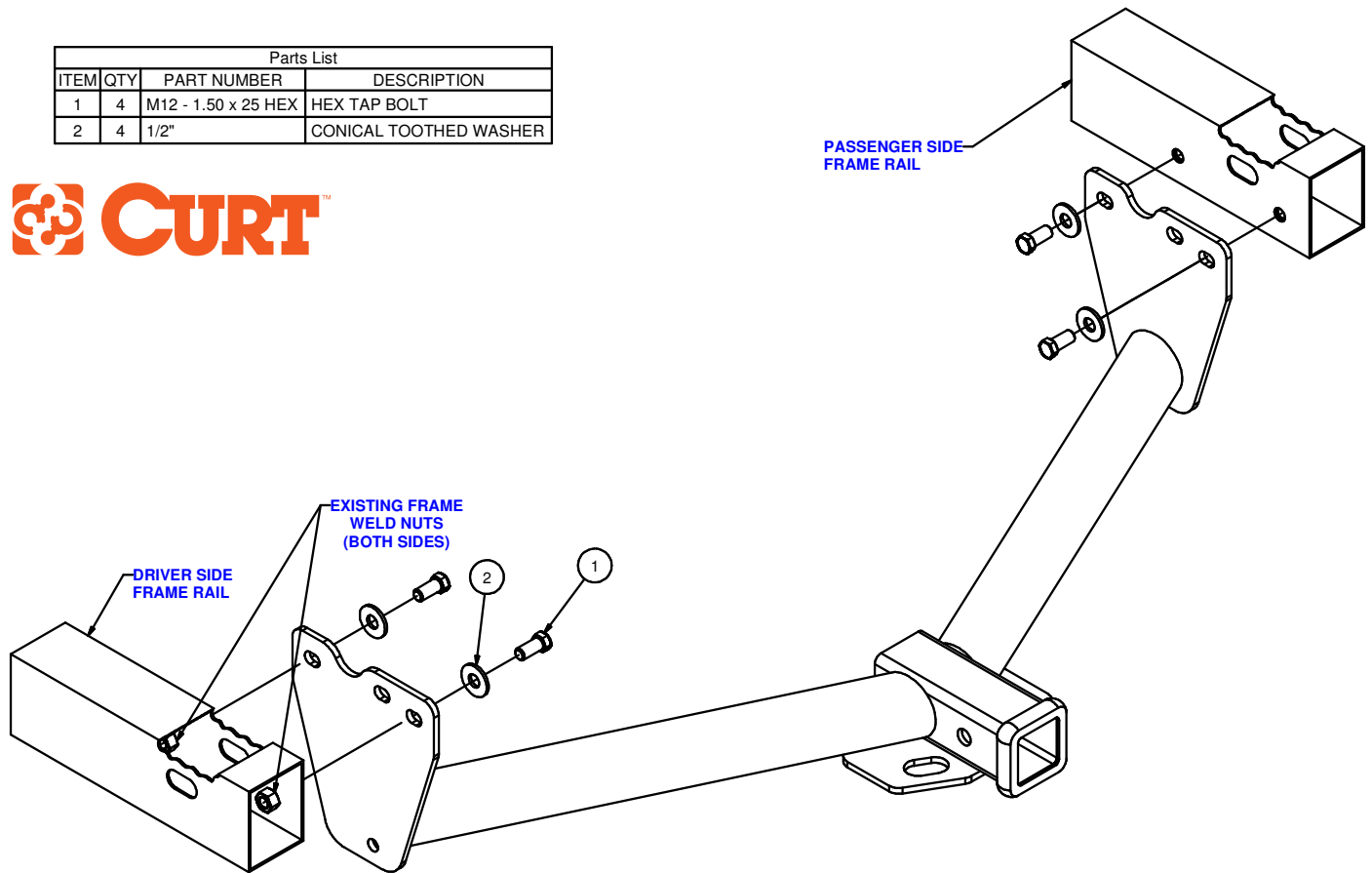


13513

KIA SORENTO

GROSS LOAD CAPACITY WHEN USED AS A WEIGHT CARRYING HITCH: 5,000 LBS. TRAILER WEIGHT & 500 LBS. TONGUE WEIGHT.
 GROSS LOAD CAPACITY WHEN USED AS A WEIGHT DISTRIBUTION HITCH: 5,000 LBS. TRAILER WEIGHT & 500 LBS. TONGUE WEIGHT
***** DO NOT EXCEED VEHICLE MANUFACTURER'S RECOMMENDED TOWING CAPACITY.*****

Parts List			
ITEM	QTY	PART NUMBER	DESCRIPTION
1	4	M12 - 1.50 x 25 HEX	HEX TAP BOLT
2	4	1/2"	CONICAL TOOTHED WASHER



HITCH WEIGHT: 29 LBS.

INSTALL TIME: 20 MINUTES

INSTALL NOTES:

- NO DRILLING REQUIRED
- MAY REQUIRE EXHAUST MODIFICATION

INSTALLATION STEPS

- 1) Position the hitch frame brackets up against the inner surface of each vehicle frame rail. Align holes in hitch frame brackets with existing tapped holes in vehicle frame.
- 2) Place a 1/2" conical washer on each 12mm bolts and bolt hitch to frame.
- 3) Torque all 12mm fasteners to 83 lb-ft.

Note: If tail pipe(s) is touching the hitch cross tube (or rattles against when driving), reform the hanger bracket welded to the vehicle frame so that the tailpipe is pulled up which will give added clearance.

PERIODICALLY CHECK THIS RECEIVER HITCH TO ENSURE THAT ALL FASTENERS ARE TIGHT AND THAT ALL STRUCTURAL COMPONENTS ARE SOUND.