

13430 1997-2006 JEEP WRANGLER INCL. UNLIMITED AND TJ

GROSS LOAD CAPACITY WHEN USED AS A WEIGHT CARRYING HITCH: 4,000 LBS. TRAILER WEIGHT & 400 LBS. TONGUE WEIGHT.

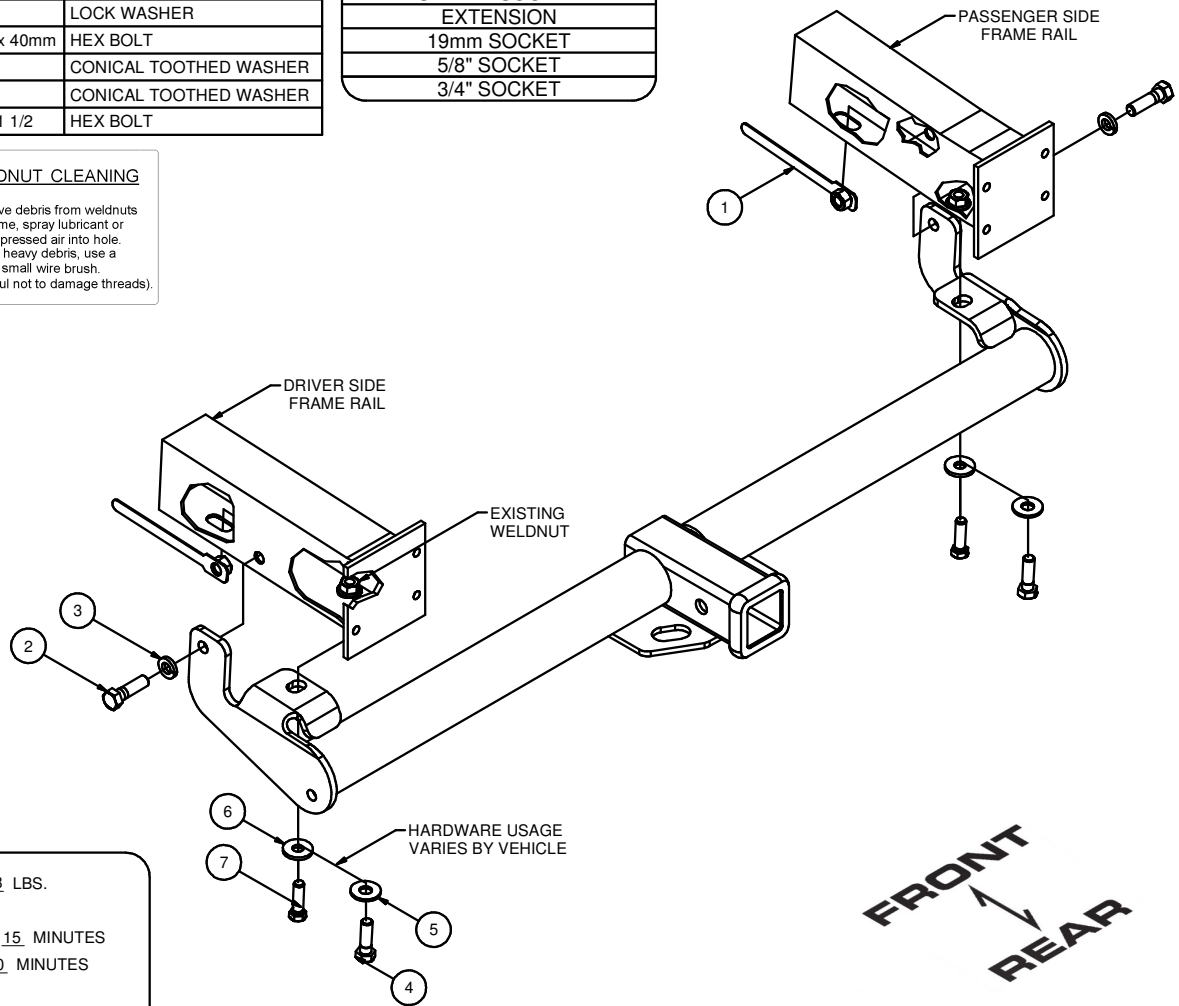
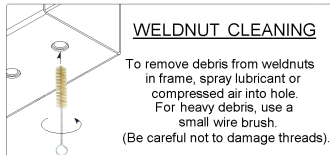
DO NOT EXCEED VEHICLE MANUFACTURER'S RECOMMENDED TOWING CAPACITY.

WARNING: ALL NON-TRAILER LOADS APPLIED TO THIS PRODUCT MUST BE SUPPORTED BY AUXILIARY STABILIZING STRAPS.

** FAILURE TO PROPERLY SUPPORT NON-TRAILER LOADS WILL VOID PRODUCT WARRANTY**

Parts List			
ITEM	QTY	PART NUMBER	DESCRIPTION
1	2	1/2-13	HANDLE NUT
2	2	1/2-13 x 1 3/4	HEX BOLT
3	2	1/2"	LOCK WASHER
4	2	M12-1.75 x 40mm	HEX BOLT
5	2	1/2"	CONICAL TOOTHED WASHER
6	2	7/16"	CONICAL TOOTHED WASHER
7	2	7/16-14 x 1 1/2	HEX BOLT

TOOLS REQUIRED
RATCHET
TORQUE WRENCH
SWIVEL SOCKET
EXTENSION
19mm SOCKET
5/8" SOCKET
3/4" SOCKET



HITCH WEIGHT: 28 LBS.

INSTALL TIME

PROFESSIONAL: 15 MINUTES

NOVICE (DIY): 30 MINUTES

INSTALL NOTES:

- REMOVE EXISTING BOLTS
- REMOVE TOW HOOKS
- NO DRILLING REQUIRED

INSTALLATION STEPS

1. Remove existing bolt from bumper attachment on driver and passenger side.
2. Remove tow hooks if equipped. Return hooks and hardware to vehicle owner.
3. Raise hitch into position and secure with hardware as shown. Hardware attaching to weldnut from Step 1 will vary by vehicle. Use either 7/16" bolt and 7/16" conical toothed washer, or M12 bolt and 1/2" conical toothed washer. Note: Clean weldnuts as shown in diagram prior to install.
4. Torque 1/2" hardware to 110 lb-ft, 7/16" hardware to 70 lb-ft, and M12 hardware to 79 lb-ft.

PERIODICALLY CHECK THIS RECEIVER HITCH TO ENSURE THAT ALL FASTENERS ARE TIGHT AND THAT ALL STRUCTURAL COMPONENTS ARE SOUND.