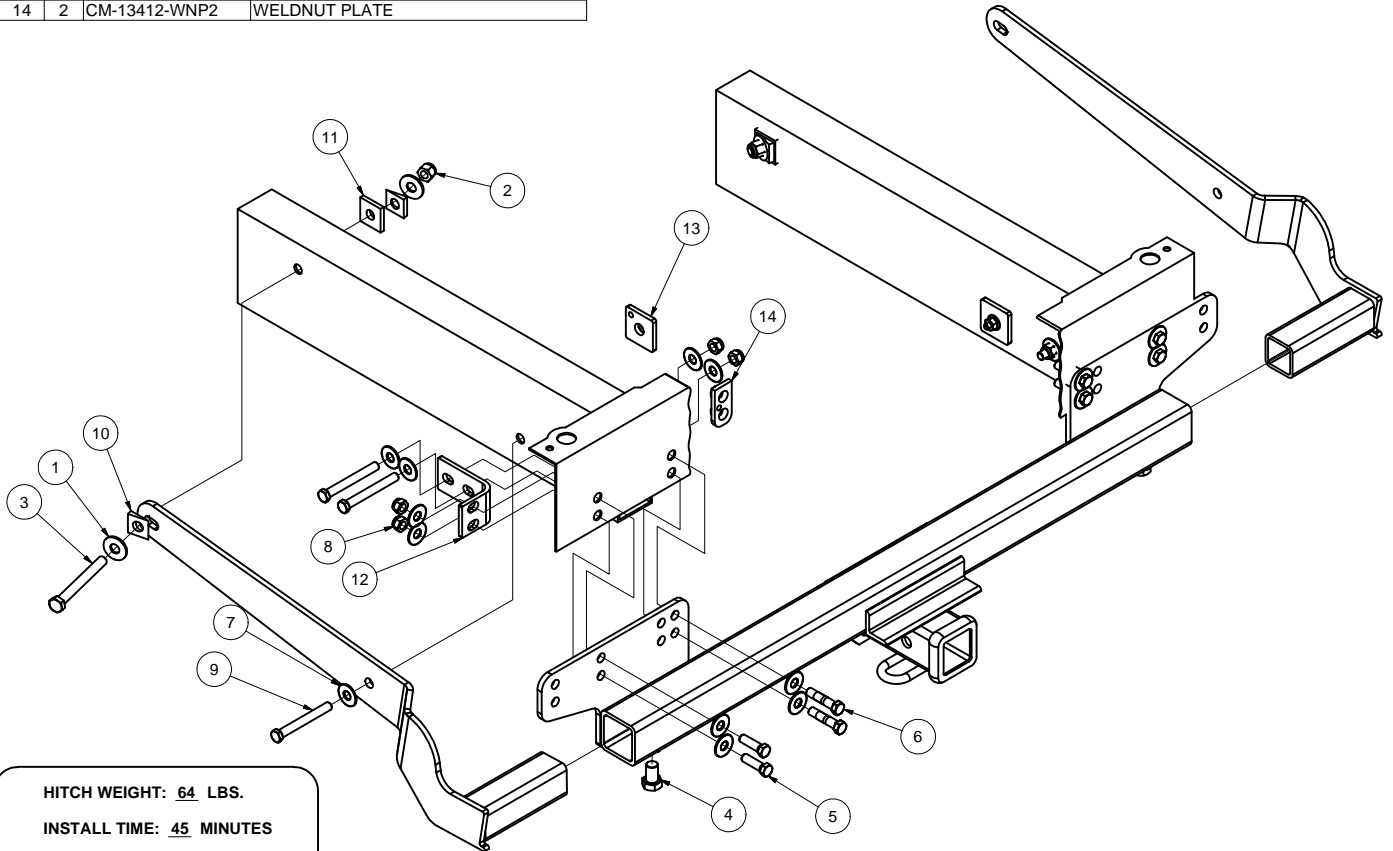


13412**1978-1996 JEEP CJ5 & CJ7**

GROSS LOAD CAPACITY WHEN USED AS A WEIGHT CARRYING HITCH: 4,000 LBS. TRAILER WEIGHT & 400 LBS. TONGUE WEIGHT.
 DO NOT EXCEED VEHICLE MANUFACTURER'S RECOMMENDED TOWING CAPACITY.



		Parts List	
ITEM	QTY	PART NUMBER	DESCRIPTION
1	4	FW12	FW, 12, ZP
2	2	1_2 - 13	NYLOCK HEX NUT
3	2	1_2 - 13 x 4 1_2 HEX	HEX BOLT
4	2	5/8-11 x 1"	HEX BOLT
5	8	7/16-14 x 1 1/2	HEX BOLT
6	4	7/16-14 x 2.00"	HEX BOLT
7	22	7/16 WASHER	WASHER
8	8	7_16 - 14	NYLOCK HEX NUT
9	6	7_16 - 14 x 3 3_4	HEX BOLT
10	4	CM-SP38	1/2" WEDGE SPACER
11	2	CM-SP22	.250 x 1.50 x 1.50" ROUND HOLE SPACER
12	2	CM-13412-SB	.250" SUPPORT BRACKET
13	2	CM-13412-WNP1	WELD NUT PLATE
14	2	CM-13412-WNP2	WELDNUT PLATE



HITCH WEIGHT: **64 LBS.**
 INSTALL TIME: **45 MINUTES**
 INSTALL NOTES:
 DRILLING REQUIRED

INSTALLATION STEPS

- 1) Raise hitch into position against rear crossmember on your vehicle. Start a 7/16 x 1 1/2" bolt and part # CM-13412-WNP2 to inside holes each side of center section of hitch. **(Note: Use 7/16 x 2" bolt when using special aftermarket bumper.)**
- 2) Slide driver and passenger side arms into the hitch body and proceed to install hardware as shown.
- 3) A 1/2" hole will need to be drilled in the frame on each side to accommodate the 7/16 x 3 3/4" bolt and the part # CM-13412-WNP1. Use the hole in the side arm as a template.
- 4) Torque 7/16" fasteners to 70 lb.-ft. Torque 1/2" fasteners to 110 lb.-ft. Torque 5/8" fasteners to 100 lb.-ft.

PERIODICALLY CHECK THIS [RECEIVER HITCH](#) TO ENSURE THAT ALL FASTENERS ARE TIGHT AND THAT ALL STRUCTURAL COMPONENTS ARE SOUND.