

13217

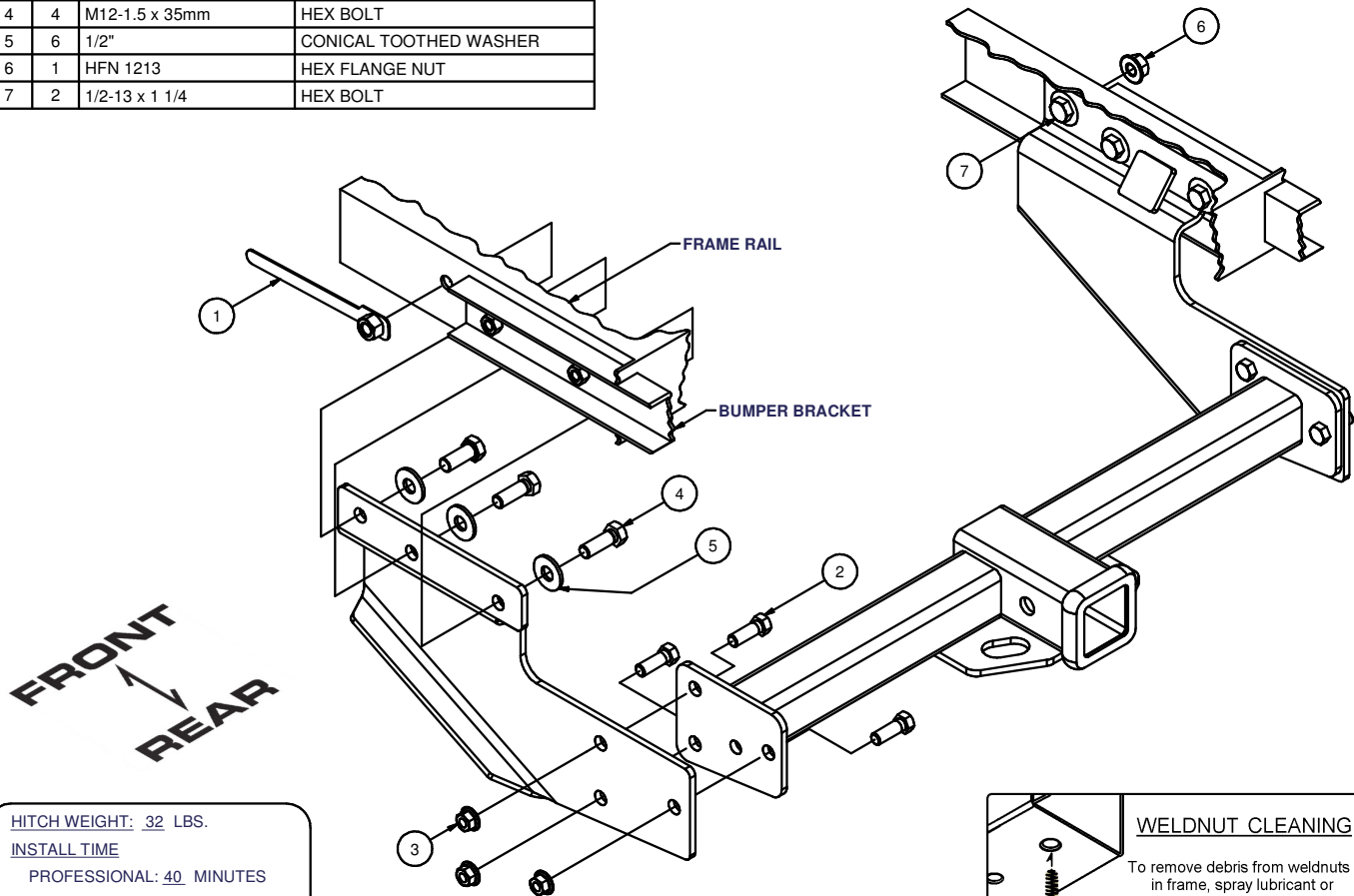
## 93-03 VOLKSWAGEN EUROVAN

GROSS LOAD CAPACITY WHEN USED AS A WEIGHT CARRYING HITCH: 4,000 LBS. TRAILER WEIGHT & 400 LBS. TONGUE WEIGHT.  
 GROSS LOAD CAPACITY WHEN USED AS A WEIGHT DISTRIBUTION HITCH: 5,000 LBS. TRAILER WEIGHT & 500 LBS. TONGUE WEIGHT

\*\*\*DO NOT EXCEED VEHICLE MANUFACTURER'S RECOMMENDED TOWING CAPACITY.\*\*\*



Parts List			
ITEM	QTY	PART NUMBER	DESCRIPTION
1	1	1/2-13	HANDLE NUT
2	6	7/16-14 x 1 1/4	HEX BOLT
3	6	7/16-14	HEX FLANGE NUT
4	4	M12-1.5 x 35mm	HEX BOLT
5	6	1/2"	CONICAL TOOTHED WASHER
6	1	HFN 1213	HEX FLANGE NUT
7	2	1/2-13 x 1 1/4	HEX BOLT



HITCH WEIGHT: 32 LBS.

INSTALL TIME

PROFESSIONAL: 40 MINUTES

NOVICE (DIY): 80 MINUTES

INSTALL NOTES:

-NO DRILLING REQUIRED

WELDNUT CLEANING

To remove debris from weldnuts in frame, spray lubricant or compressed air into hole. For heavy debris, use a small wire brush. (Be careful not to damage threads).

## INSTALLATION STEPS

1. Remove the two rear most frame bolts that attach the bumper brackets to the frame rails. Mount side plates to inner surface of frame rails aligning rear most holes with existing weldnuts in bumper bracket. Loosely install fasteners as shown. **(Note: It may be necessary to remove plastic clips holding wire bundle inside passenger side frame.)**
2. Mount receiver assembly between frame plates and install fasteners as shown.
3. Torque 1/2" fasteners to 110 lb.-ft., M12 fasteners to 79 lb.-ft., and 7/16" fasteners to 70 lb.-ft.

**PERIODICALLY CHECK THIS RECEIVER HITCH TO ENSURE THAT ALL FASTENERS ARE TIGHT AND THAT ALL STRUCTURAL COMPONENTS ARE SOUND.**