



Safety glasses should be worn at all times while installing this product.

YEARS: 2008-CURRENT

MAKE: JEEP

MODEL: LIBERTY

STYLE: SUV

WARNING: NEVER EXCEED YOUR VEHICLE MANUFACTURER'S RECOMMENDED TOWING CAPACITY

WEIGHT CARRYING:
 TRAILER WEIGHT: 3,500 LBS.
 TONGUE WEIGHT: 350 LBS.

INSTALLATION TIME: 20 MIN.

THE INSTALL TIME LISTED IS FOR PROFESSIONAL INSTALLERS. IF YOU ARE HESITANT TO UNDERTAKE THIS TASK ON YOUR OWN, CONTACT AN AUTHORIZED CURT INSTALLER FOR ADDITIONAL ASSISTANCE.

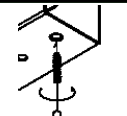

INSTALLATION REQUIRES:

 RATCHET	 SOCKET 18mm 19mm	 TORQUE WRENCH
 SAFETY GLASSES		

INSTALLATION TIPS:

- BEFORE YOU BEGIN INSTALLATION, READ ALL INSTRUCTIONS THOROUGHLY.
- TO EASE INSTALLATION, 2 PEOPLE MAY BE REQUIRED.
- USING PROPER TOOLS WILL GREATLY IMPROVE THE QUALITY OF THE INSTALL AND REDUCE THE TIME REQUIRED.

LEVEL OF DIFFICULTY: EASY

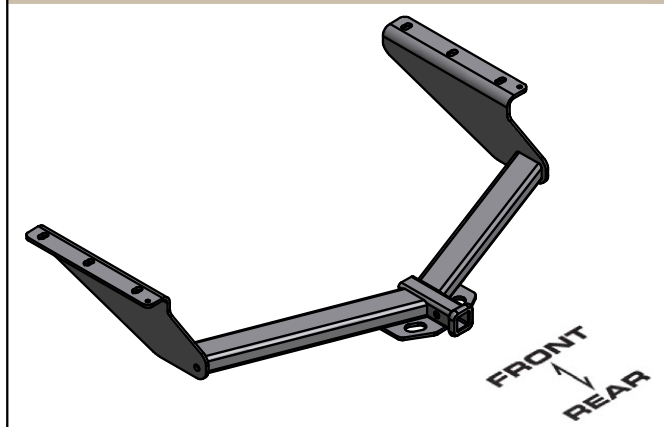
EASY	MODERATE	CHALLENGING
	WELDNUT CLEANING MAY BE REQUIRED	
	NO DRILLING REQUIRED	

VEHICLE PHOTO:



REPRESENTATIVE PHOTO

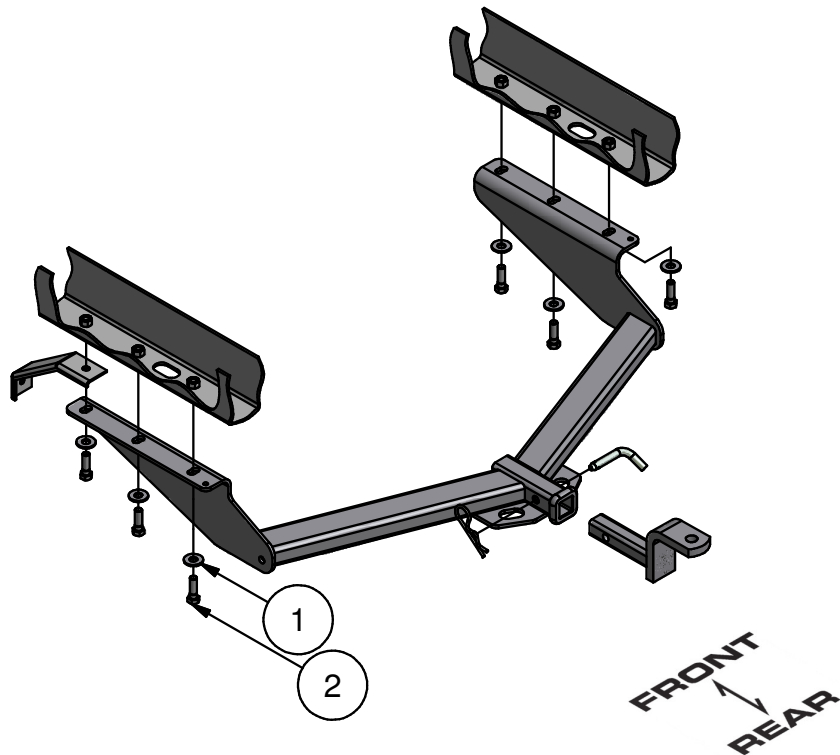
HITCH ILLUSTRATION:



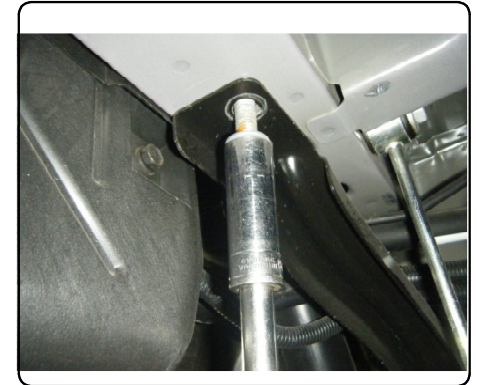
MAKE SURE YOUR HITCH MATCHES

INSTALLATION WALKTHROUGH:

Parts List			
ITEM	QTY	PART NUMBER	DESCRIPTION
1	6	1/2"	CONICAL TOOTHED WASHER
2	6	M12-1.75 x 40mm	HEX BOLT



Remove bolt from driver's side vehicle support bracket and return to vehicle owner.



Raise hitch into position.



INSTALLATION WALKTHROUGH:

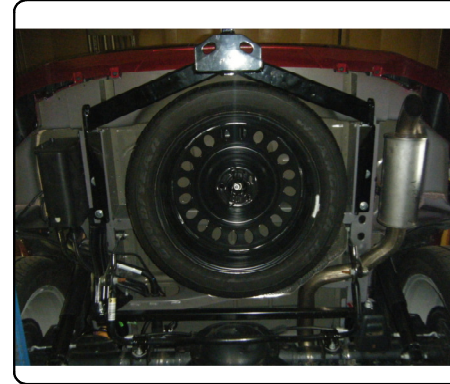
Position hitch over frame and support bracket (driver side) and loosely install the supplied fasteners as shown.



Torque all 12mm fasteners to 79 lb-ft.



Install is now complete.



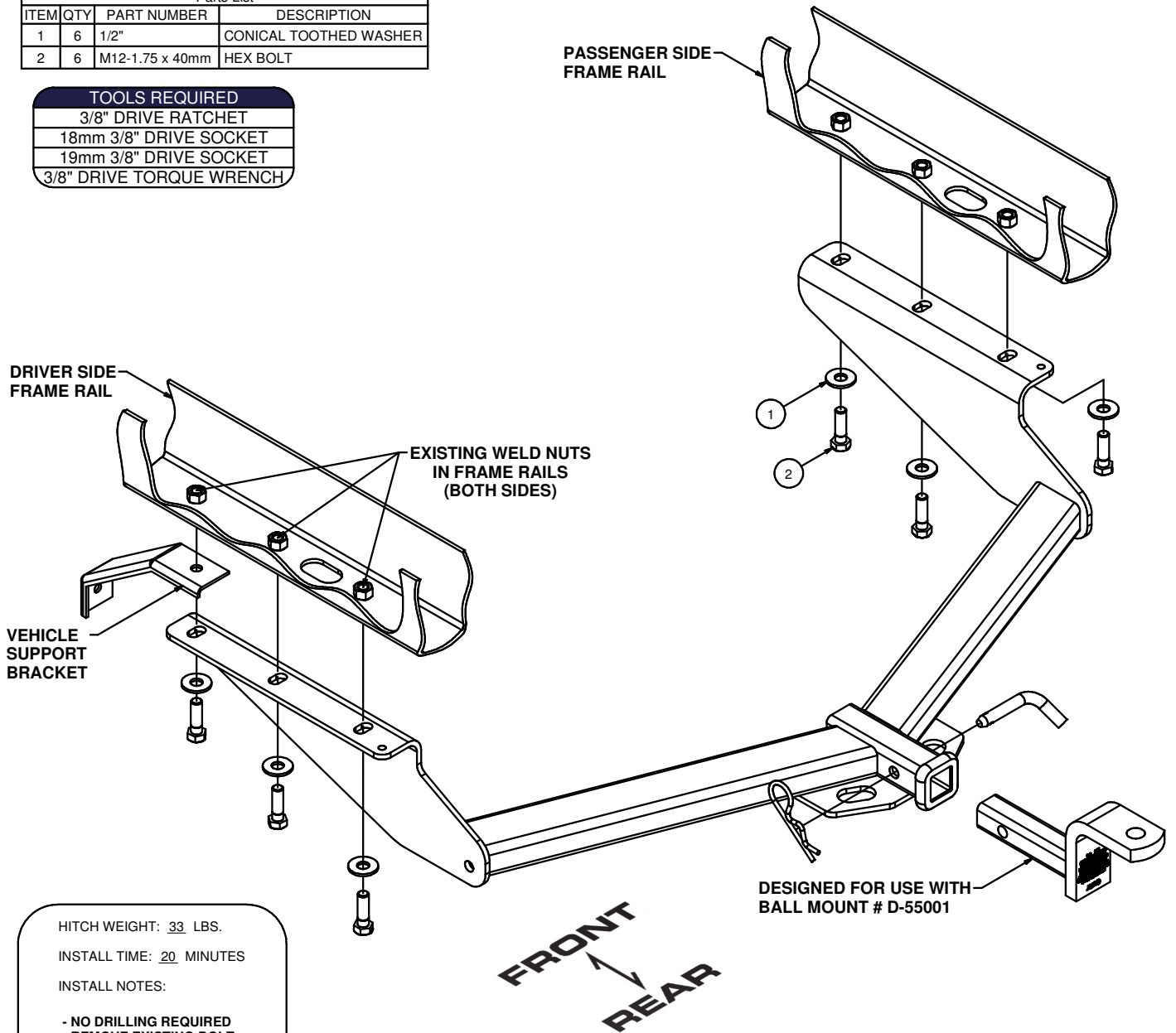
12245

JEEP LIBERTY

GROSS LOAD CAPACITY WHEN USED AS A WEIGHT CARRYING HITCH: 3,500 LBS. TRAILER WEIGHT & 350 LBS. TONGUE WEIGHT.
DO NOT EXCEED VEHICLE MANUFACTURER'S RECOMMENDED TOWING CAPACITY.

Parts List			
ITEM	QTY	PART NUMBER	DESCRIPTION
1	6	1/2"	CONICAL TOOTHED WASHER
2	6	M12-1.75 x 40mm	HEX BOLT

TOOLS REQUIRED	
3/8" DRIVE RATCHET	
18mm 3/8" DRIVE SOCKET	
19mm 3/8" DRIVE SOCKET	
3/8" DRIVE TORQUE WRENCH	



HITCH WEIGHT: 33 LBS.
INSTALL TIME: 20 MINUTES
INSTALL NOTES:
- NO DRILLING REQUIRED
- REMOVE EXISTING BOLT

INSTALLATION STEPS

- 1) Remove bolt from driver's side vehicle support bracket and return to vehicle owner.
- 2) Raise hitch into position.
- 3) Position hitch over frame and support bracket (driver side) and loosely install the supplied fasteners as shown.
- 4) Torque all 12mm fasteners to 79 lb-ft.

PERIODICALLY CHECK THIS RECEIVER HITCH TO ENSURE THAT ALL FASTENERS ARE TIGHT AND THAT ALL STRUCTURAL COMPONENTS ARE SOUND.