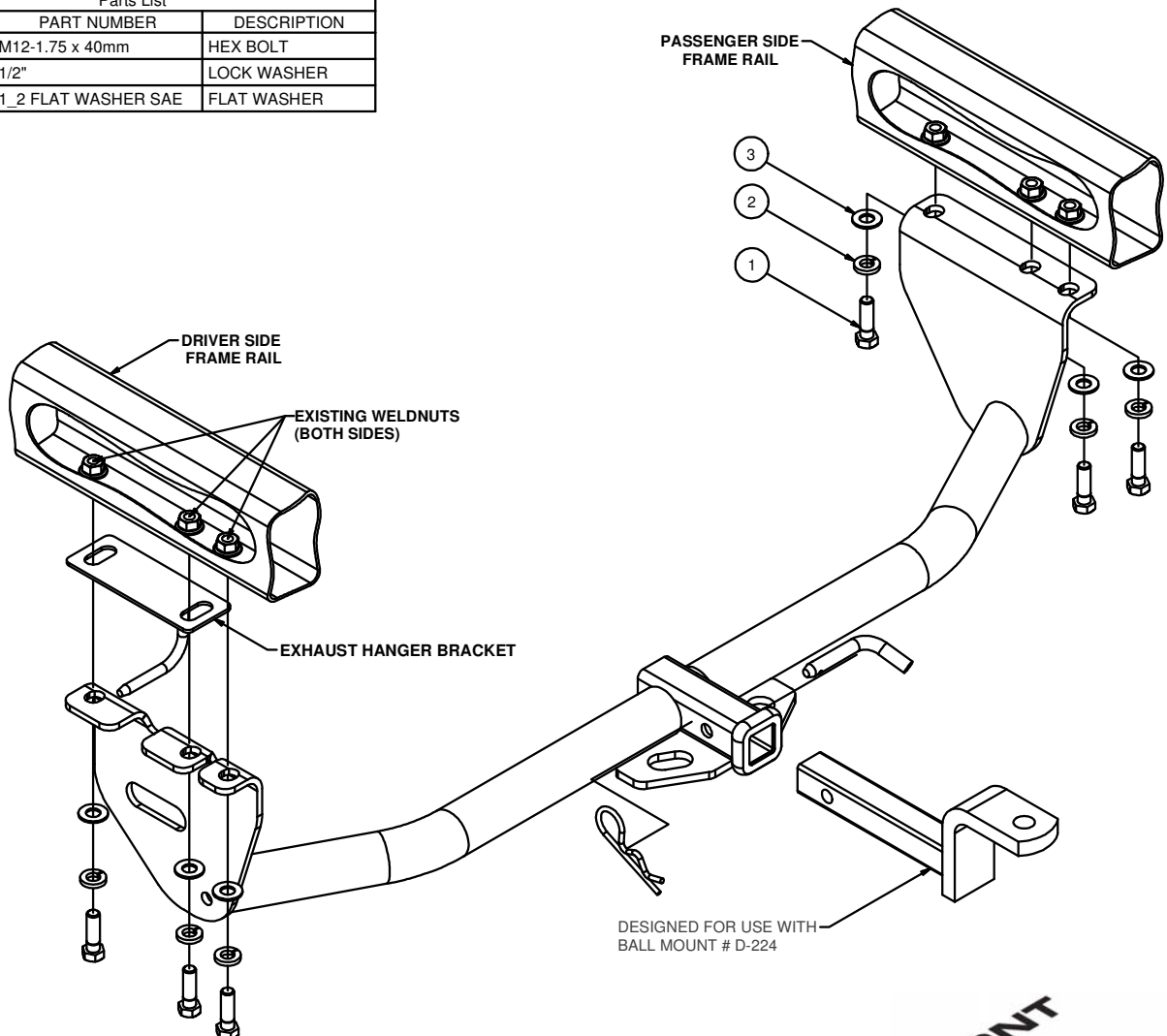


12318 / 36297

01-07 VOLVO V70, 03-07 XC70 & 01-CURRENT S60

GROSS LOAD CAPACITY WHEN USED AS A WEIGHT CARRYING HITCH: 3500 LBS. TRAILER WEIGHT & 350 LBS. TONGUE WEIGHT.
*****DO NOT EXCEED VEHICLE MANUFACTURER'S RECOMMENDED TOWING CAPACITY.*****

Parts List			
ITEM	QTY	PART NUMBER	DESCRIPTION
1	6	M12-1.75 x 40mm	HEX BOLT
2	6	1/2"	LOCK WASHER
3	6	1_2 FLAT WASHER SAE	FLAT WASHER

HITCH WEIGHT: 30 LBS.INSTALL TIME: 30 MINUTES

INSTALL NOTES:

- NO DRILLING REQ.
- REMOVE TOW HOOK
- LOOSEN MUFFLER BRACKET

INSTALLATION STEPS

1. Remove existing tow bracket on passenger side. Loosen muffler bracket on driver side removing 2 bolts.
2. Raise hitch into position under the muffler bracket. Using the supplied hardware, loosely install hitch on vehicle as shown above.
3. Torque all 12mm fasteners to 79 lb-ft.

PERIODICALLY CHECK THIS RECEIVER HITCH TO ENSURE THAT ALL FASTENERS ARE TIGHT AND THAT ALL STRUCTURAL COMPONENTS ARE SOUND.



The **FIRST** Name
in Towing Products™

Trailer Hitches