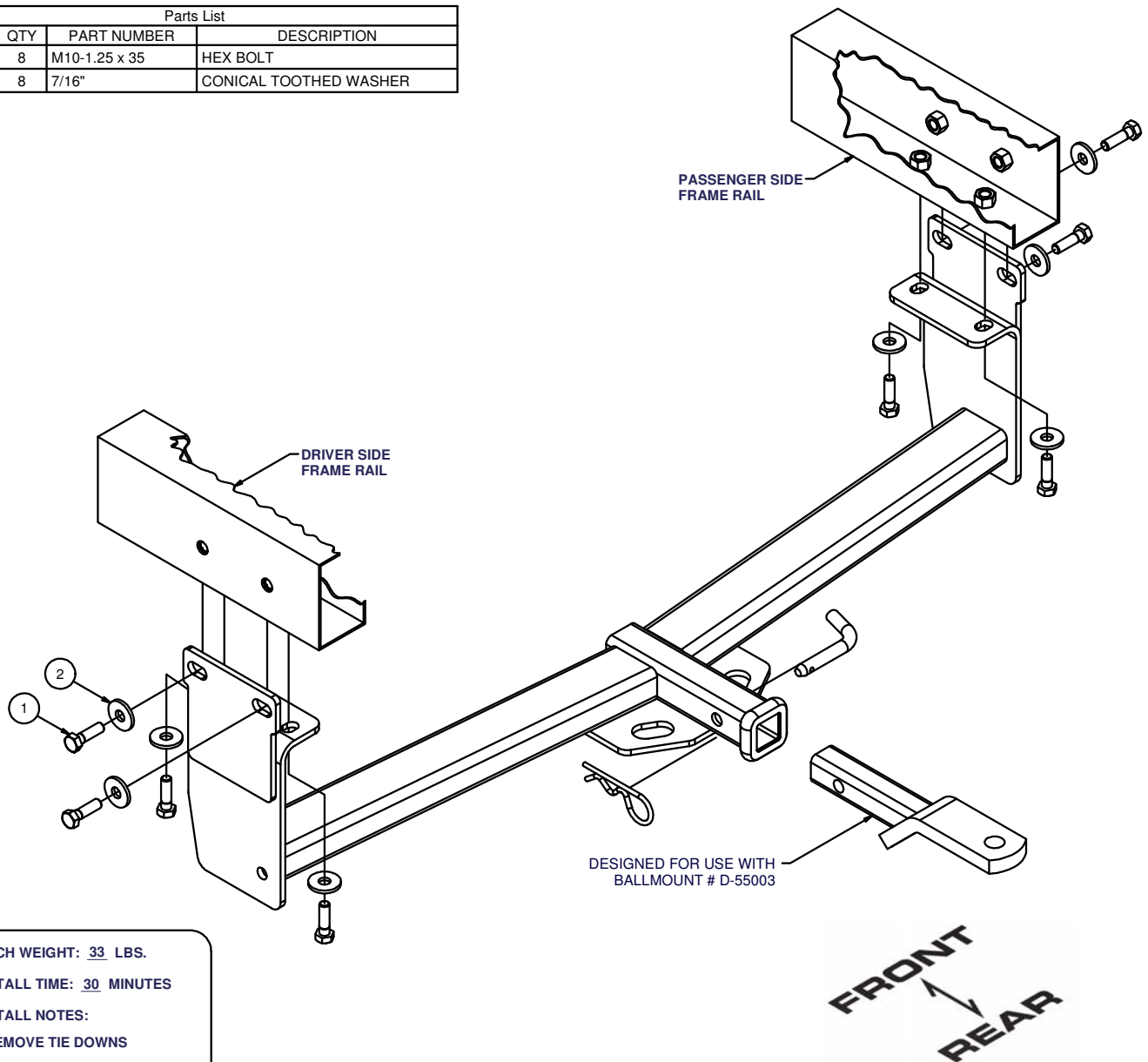


12293

## 03-06 MITSUBISHI OUTLANDER

GROSS LOAD CAPACITY WHEN USED AS A WEIGHT CARRYING HITCH: 3,500 LBS. TRAILER WEIGHT & 300 LBS. TONGUE WEIGHT.  
**\*\*\*DO NOT EXCEED VEHICLE MANUFACTURER'S RECOMMENDED TOWING CAPACITY.\*\*\***

Parts List			
ITEM	QTY	PART NUMBER	DESCRIPTION
1	8	M10-1.25 x 35	HEX BOLT
2	8	7/16"	CONICAL TOOTHED WASHER



HITCH WEIGHT: 33 LBS.

INSTALL TIME: 30 MINUTES

INSTALL NOTES:

- REMOVE TIE DOWNS

### INSTALLATION STEPS

- 1) Remove left and right tie down brackets from vehicle frame rails.
- 2) Position hitch on vehicle frame rails aligning hitch holes with weld nuts. Fasten hitch using fasteners as shown.
- 3) Torque all 10mm fasteners to 48 lb.-ft.

**PERIODICALLY CHECK THIS RECEIVER HITCH TO ENSURE THAT ALL FASTENERS ARE TIGHT AND THAT ALL STRUCTURAL COMPONENTS ARE SOUND.**



The **FIRST** Name  
in Towing Products™

Trailer Hitches