

12291

2004 - CURRENT CHEVY EQUINOX / GMC TERRAIN / 2004 - 2007 SATURN VUE  
 REDLINE 2001 - 2007 SATURN VUE / 2006- 2009 PONTIAC TORRENT

GROSS LOAD CAPACITY WHEN USED AS A WEIGHT CARRYING HITCH: 3500 LBS. TRAILER WEIGHT & 350 LBS. TONGUE WEIGHT.

\*\*\*DO NOT EXCEED VEHICLE MANUFACTURER'S RECOMMENDED TOWING CAPACITY.\*\*\*

WARNING: ALL NON-TRAILER LOADS APPLIED TO THIS PRODUCT MUST BE SUPPORTED BY AUXILIARY STABILIZING STRAPS.

\*\* FAILURE TO PROPERLY SUPPORT NON-TRAILER LOADS WILL VOID PRODUCT WARRANTY\*\*

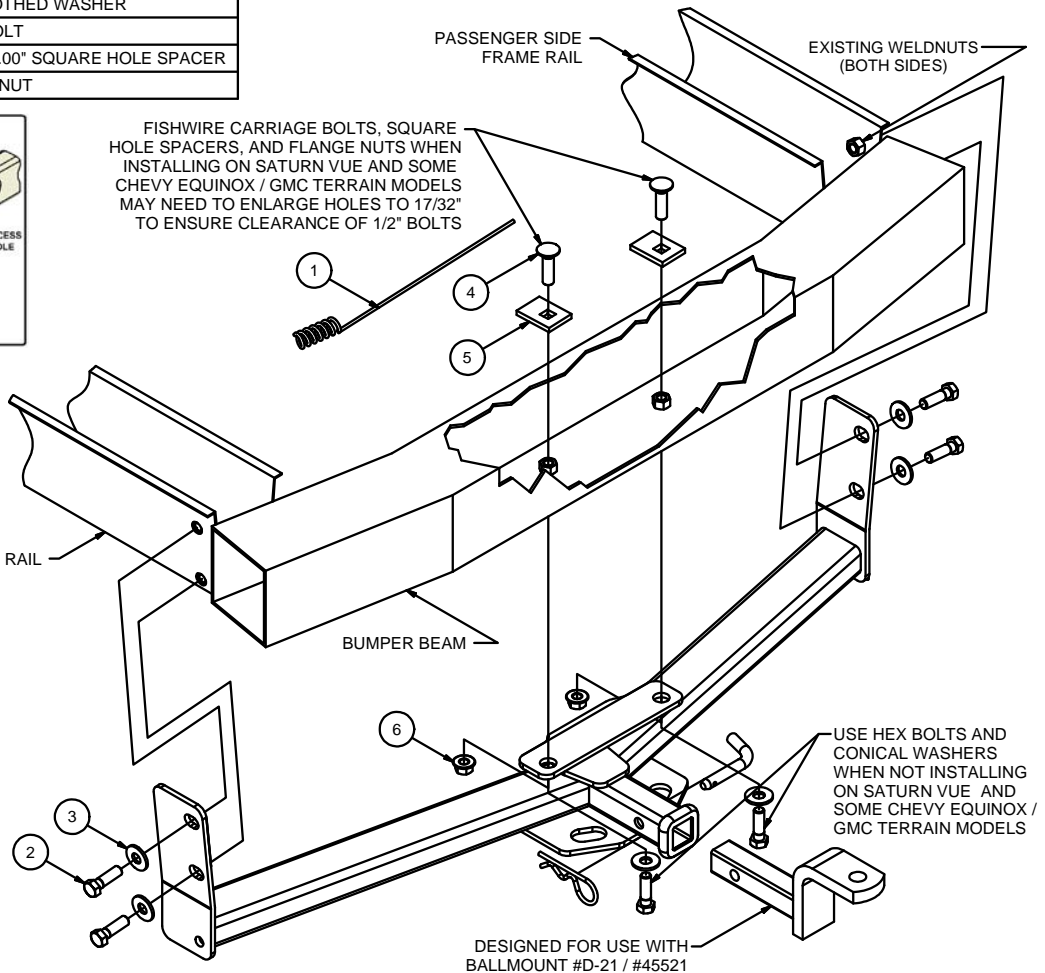
| Parts List |     |                 |  |
|------------|-----|-----------------|--|
| ITEM       | QTY | PART NUMBER     | DESCRIPTION                            |
| 1          | 1   | 1/2"            | FISHWIRE TOOL                          |
| 2          | 6   | M12-1.75 x 40mm | HEX BOLT                               |
| 3          | 6   | 1/2"            | CONICAL TOOTHED WASHER                 |
| 4          | 2   | 1/2-13 x 1 3/4  | CARRIAGE BOLT                          |
| 5          | 2   | CM-SP1          | .250 x 1.50 x 2.00" SQUARE HOLE SPACER |
| 6          | 2   | HFN 1213        | HEX FLANGE NUT                         |

**FISHWIRE TECHNIQUE**

INSERT COILED END OF FISHWIRE TOOL THROUGH HITCH MOUNTING HOLE IN VEHICLE FRAME RAIL AND OUT THE ACCESS HOLE. PASS COILED END OF FISHWIRE THROUGH SPACER AND THREAD BOLT INTO COIL. KINK WIRE TO KEEP SPACER SEPARATE FROM BOLT AS SHOWN. PULL FISHWIRE, SPACER, AND BOLT THROUGH FRAME AND OUT MOUNTING HOLE. USE FISHWIRE TO GUIDE HITCH DURING MOUNTING AND PREVENT LOSS OF BOLT / SPACER INSIDE FRAME RAIL.

\*NOTE: SOME VEHICLES MAY FISHWIRE THROUGH END OF FRAME\*

| TOOLS REQUIRED    |
|-------------------|
| RATCHET           |
| TORQUE WRENCH     |
| 8" EXTENSION      |
| 19mm SOCKET       |
| 3/4" SOCKET       |
| NEEDLENOSE PLIERS |



HITCH WEIGHT: 33 LBS.  
 INSTALL TIME  
 PROFESSIONAL: 30 MINUTES  
 NOVICE (DIY): 65 MINUTES  
 INSTALL NOTES:  
 - NO DRILLING REQUIRED

NOTE: Fascia trimming required on Saturn Vue Redline

**INSTALLATION STEPS**

1. On the Chevy Equinox and GMC Terrain, it is necessary to remove the panel at the center of the fascia to provide space for hitch installation. (Return the panel to vehicle owner.)
2. Remove existing M12 fasteners from outside surfaces of frame rails, If present remove tie down brackets and return to customer.
3. Raise hitch into position and fasten to bumper beam using M12 bolts and conical washers.
4. Install M12 bolts and conical washers on outside surfaces of frame rails.
5. Fishwire remaining carriage bolts and square hole spacers through end of bumper beam. (See FISHWIRE TECHNIQUE.) (NOTE: May need to enlarge holes to 17/32" to ensure clearance of 1/2" bolts)
6. Torque all M12 hardware to 79 ft-lbs and torque all 1/2" hardware to 110 ft-lbs.

PERIODICALLY CHECK THIS RECEIVER HITCH TO ENSURE THAT ALL FASTENERS ARE TIGHT AND THAT ALL STRUCTURAL COMPONENTS ARE SOUND.



The **FIRST** Name in Towing Products™

Trailer Hitches