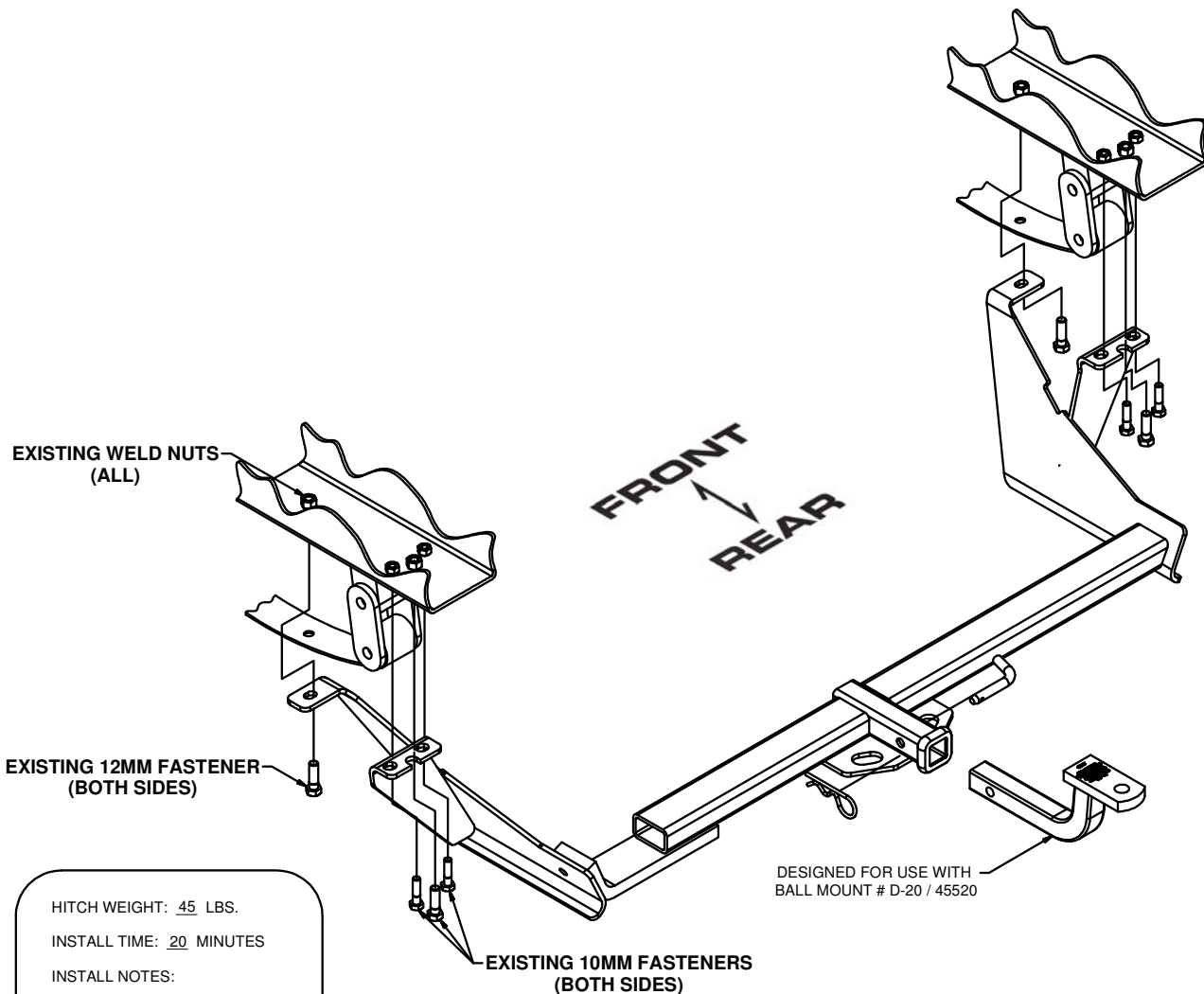


12289

04-07 CHRYSLER / DODGE CARAVAN (STOW 'N GO)

INCLUDING GRAND CARAVAN

GROSS LOAD CAPACITY WHEN USED AS A WEIGHT CARRYING HITCH: 3,500 LBS. TRAILER WEIGHT & 350 LBS. TONGUE WEIGHT.  
 \*\*\*DO NOT EXCEED VEHICLE MANUFACTURER'S RECOMMENDED TOWING CAPACITY.\*\*\*

HITCH WEIGHT: 45 LBS.INSTALL TIME: 20 MINUTES

INSTALL NOTES:

NO DRILLING REQUIRED  
 NO FASCIA TRIMMING REQUIRED

### INSTALLATION STEPS

1. Remove the three 10mm bolts attaching the rear spring shackle to the vehicle's frame. Also remove the single 12mm bolt from the vehicle just forward of the spring shackle. Save all of these bolts for later hitch installation.
2. Position the hitch's left mounting tab on the driver side over the leaf spring near the rear axle. Then pull this side of the hitch towards the rear of the vehicle and into position. Repeat this procedure on the passenger side of the vehicle.
3. Raise the hitch into position so it contacts the vehicle's frame rail. Align the 3 holes in the hitch with the holes in the vehicle's frame where fasteners were removed. Bolt the hitch in place using previously removed fasteners.
4. Torque all 10mm fasteners to 48 lb-ft, and all 12mm fasteners to 86 lb-ft.

**PERIODICALLY CHECK THIS RECEIVER HITCH TO ENSURE THAT ALL FASTENERS ARE TIGHT AND THAT ALL STRUCTURAL COMPONENTS ARE SOUND.**



The **FIRST** Name  
 in Towing Products™

[Trailer Hitches](#)