

12242

FORD FREESTYLE, 500, TAURUS / MERCURY MONTEGO, SABLE

GROSS LOAD CAPACITY WHEN USED AS A WEIGHT CARRYING HITCH: 3,500 LBS. TRAILER WEIGHT & 300 LBS. TONGUE WEIGHT.

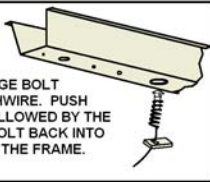
\*\*\*DO NOT EXCEED VEHICLE MANUFACTURER'S RECOMMENDED TOWING CAPACITY.\*\*\*

WARNING: ALL NON-TRAILER LOADS APPLIED TO THIS PRODUCT MUST BE SUPPORTED BY AUXILIARY STABILIZING STRAPS.

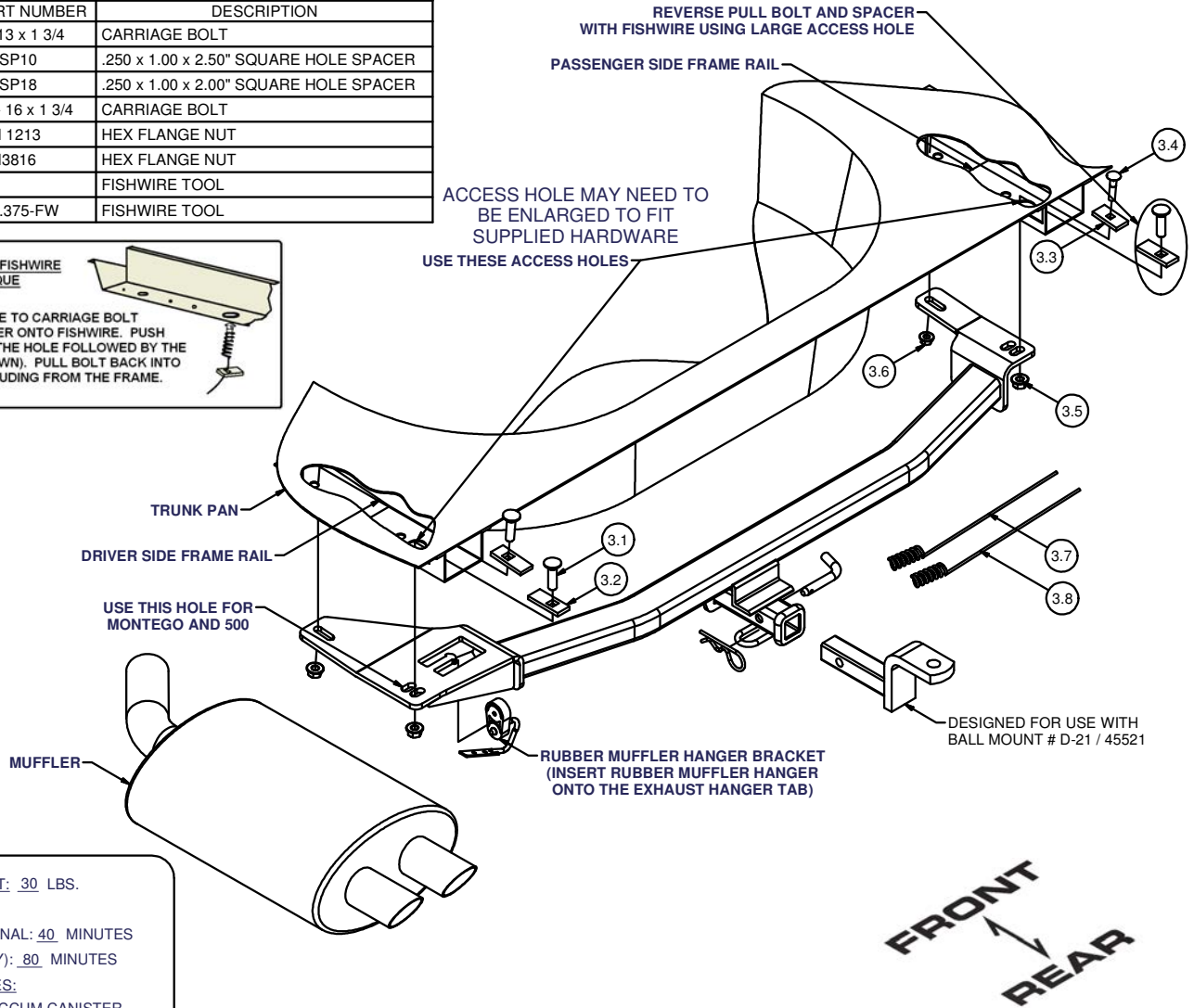
\*\* FAILURE TO PROPERLY SUPPORT NON-TRAILER LOADS WILL VOID PRODUCT WARRANTY\*\*

Parts List			
ITEM	QTY	PART NUMBER	DESCRIPTION
3.1	3	1/2-13 x 1 3/4	CARRIAGE BOLT
3.2	3	CM-SP10	.250 x 1.00 x 2.50" SQUARE HOLE SPACER
3.3	1	CM-SP18	.250 x 1.00 x 2.00" SQUARE HOLE SPACER
3.4	1	3/8 - 16 x 1 3/4	CARRIAGE BOLT
3.5	3	HFN 1213	HEX FLANGE NUT
3.6	1	HFN3816	HEX FLANGE NUT
3.7	1	1/2"	FISHWIRE TOOL
3.8	1	CM-375-FW	FISHWIRE TOOL

**REVERSE PULL FISHWIRE TECHNIQUE**



ATTACH FISHWIRE TO CARRIAGE BOLT AND SLIDE SPACER ONTO FISHWIRE. PUSH THE BOLT THRU THE HOLE FOLLOWED BY THE SPACER (AS SHOWN). PULL BOLT BACK INTO POSITION, PROTRUDING FROM THE FRAME.



HITCH WEIGHT: .30 LBS.

**INSTALL TIME**

PROFESSIONAL: .40 MINUTES

NOVICE (DIY): .80 MINUTES

**INSTALL NOTES:**

- LOWER VACCUM CANISTER
- LOWER MUFFLER AND RUBBER HANGER

**INSTALLATION STEPS**

- 1) Lower vacuum canister and muffler. (discard exhaust bracket)
- 2) Fishwire bolts and square hole spacers into position through access holes on the frame rails. (3/8" fasteners and spacer goes into the forward most hole on the passenger side)
- 4) Raise hitch into position and install remaining fasteners. (For free style use the forward most slot and the rearward most slot on hitch. For Montego and 500 use the opposite rearward hole.)
5. Torque 3/8" fasteners to 45 ft-lb  
1/2" fasteners to 110 ft-lb

**PERIODICALLY CHECK THIS RECEIVER HITCH TO ENSURE THAT ALL FASTENERS ARE TIGHT AND THAT ALL STRUCTURAL COMPONENTS ARE SOUND.**



The **FIRST** Name in Towing Products™

Trailer Hitches