

12181

1983-00 MITSUBISHI MONTERO, 1989-94 ISUZU AMIGO,  
1987-89 DODGE & PLYMOUTH RAIDER,  
1988-91 ISUZU TROOPER, 1991-97 TOYOTA LAND CRUISER

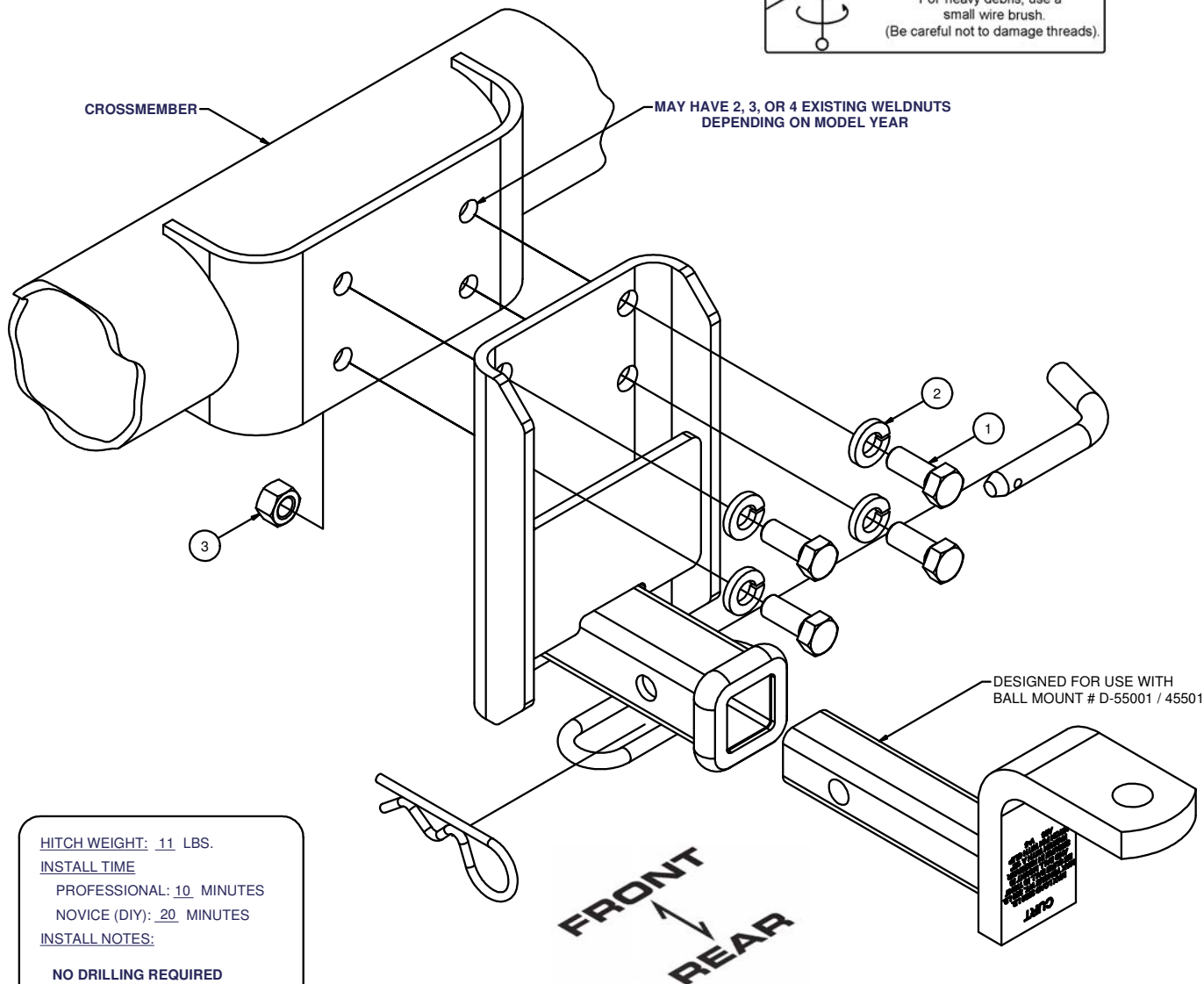
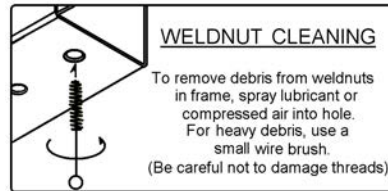
GROSS LOAD CAPACITY WHEN USED AS A WEIGHT CARRYING HITCH: 3,500 LBS. TRAILER WEIGHT & 300 LBS. TONGUE WEIGHT.

\*\*\*DO NOT EXCEED VEHICLE MANUFACTURER'S RECOMMENDED TOWING CAPACITY.\*\*\*

WARNING: ALL NON-TRAILER LOADS APPLIED TO THIS PRODUCT MUST BE SUPPORTED BY AUXILIARY STABILIZING STRAPS.

\*\* FAILURE TO PROPERLY SUPPORT NON-TRAILER LOADS WILL VOID PRODUCT WARRANTY\*\*

Parts List			
ITEM	QTY	PART NUMBER	DESCRIPTION
1	4	M12-1.25 x 30mm	HEX BOLT
2	4	1/2"	LOCK WASHER
3	2	M12 - 1.25	HEX NUT



HITCH WEIGHT: 11 LBS.  
 INSTALL TIME  
 PROFESSIONAL: 10 MINUTES  
 NOVICE (DIY): 20 MINUTES  
 INSTALL NOTES:  
 NO DRILLING REQUIRED

### INSTALLATION STEPS

1. Place hitch in position against rear crossmember and install fasteners. If all the holes are not weldnuts use the nuts supplied.
2. Torque all hardware to 86 lb.-ft.

**PERIODICALLY CHECK THIS RECEIVER HITCH TO ENSURE THAT ALL FASTENERS ARE TIGHT AND THAT ALL STRUCTURAL COMPONENTS ARE SOUND.**



The **FIRST** Name  
in Towing Products™

Trailer Hitches