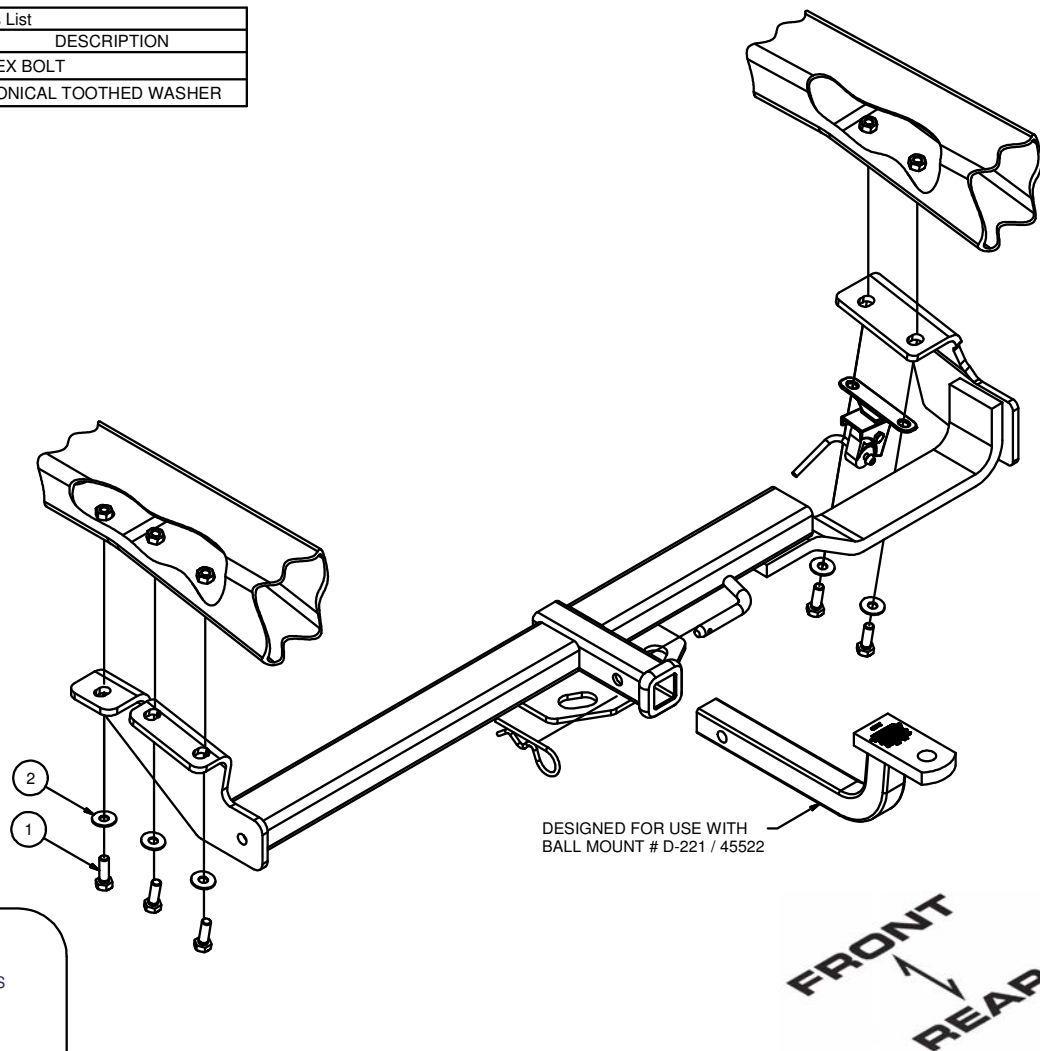


12110

TOYOTA CAMRY SOLARA

GROSS LOAD CAPACITY WHEN USED AS A WEIGHT CARRYING HITCH: 3,500 LBS. TRAILER WEIGHT & 300 LBS. TONGUE WEIGHT.
*****DO NOT EXCEED VEHICLE MANUFACTURER'S RECOMMENDED TOWING CAPACITY.*****

Parts List			
ITEM	QTY	PART NUMBER	DESCRIPTION
1	5	M10 - 1.25 x 30	HEX BOLT
2	5	3/8"	CONICAL TOOTHED WASHER



HITCH WEIGHT: 40 LBS.

INSTALL TIME: 45 MINUTES

INSTALL NOTES:

NO DRILLING REQUIRED

INSTALLATION STEPS

1. If present, remove the tie down brackets and bolts from each side of the vehicle's frame rails. Return these brackets and fasteners to the vehicle's owner.

NOTES: On vehicles with exhaust hanger bracket welded to passenger's side tie down bracket, the tie-down / exhaust hanger will be reattached with the hitch in step #3.

2. Remove the exhaust hanger bolted to the bottom of the frame rail on the passenger side. Return fasteners to the vehicle's owner. There is no need to remove the exhaust hanger from the rubber isolator.
3. Raise the hitch into position and install (5) 10mm bolts and conical toothed washers as shown. Install the bolts and conical toothed washers through the exhaust hanger bracket on the passenger's side frame rail as shown.
4. Torque all 10mm fasteners to 48 lb-ft.

PERIODICALLY CHECK THIS RECEIVER HITCH TO ENSURE THAT ALL FASTENERS ARE TIGHT AND THAT ALL STRUCTURAL COMPONENTS ARE SOUND.



The **FIRST** Name
in Towing Products™

Trailer Hitches