

12093

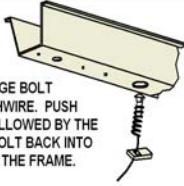
MAZDA CX-7

GROSS LOAD CAPACITY WHEN USED AS A WEIGHT CARRYING HITCH: 3,500 LBS. TRAILER WEIGHT & 300 LBS. TONGUE WEIGHT.  
**\*\*\*DO NOT EXCEED VEHICLE MANUFACTURER'S RECOMMENDED TOWING CAPACITY.\*\*\***

Parts List			
ITEM	QTY	PART NUMBER	DESCRIPTION
1	6	1/2-13 x 1 1/2	CARRIAGE BOLT
2	6	CM-SP40	.188 x 1.00 x 3.00" SQ. HOLE SPACER
3	6	HFN 1213	HEX FLANGE NUT
4	1	1_2 FISHWIRE	1/2" FISHWIRE

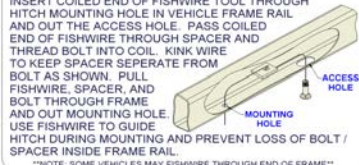
#### REVERSE PULL FISHWIRE TECHNIQUE

ATTACH FISHWIRE TO CARRIAGE BOLT AND SLIDE SPACER ONTO FISHWIRE. PUSH THE BOLT THRU THE HOLE FOLLOWED BY THE SPACER (AS SHOWN). PULL BOLT BACK INTO POSITION, PROTRUDING FROM THE FRAME.



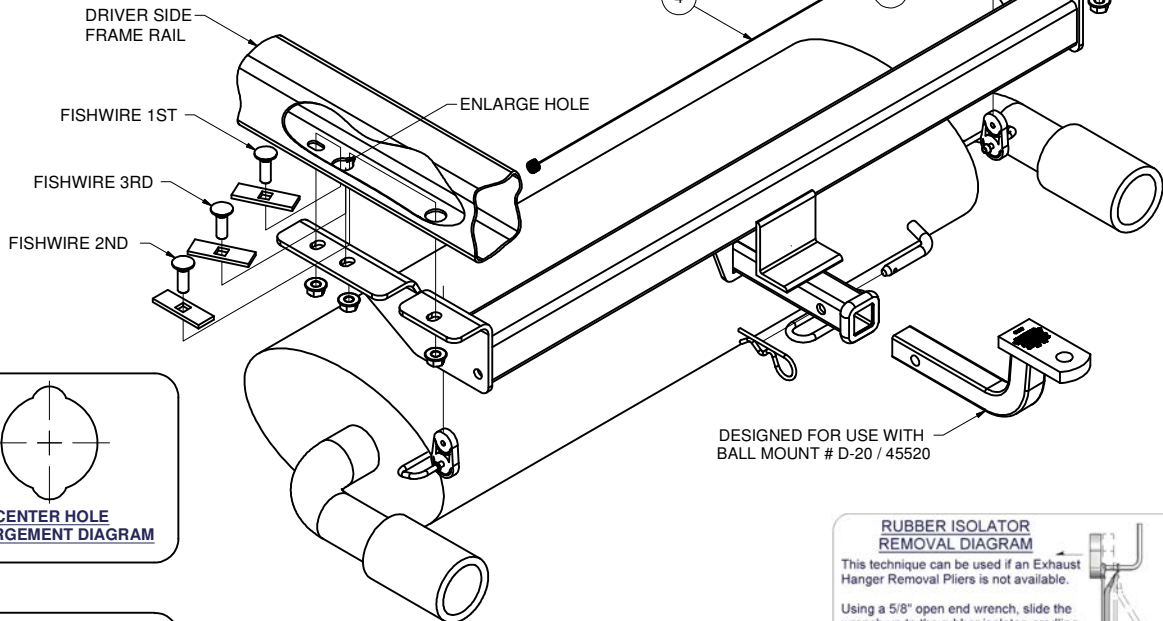
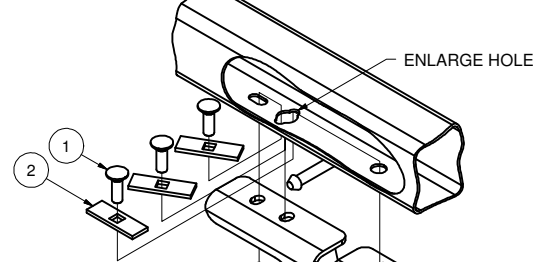
#### FISHWIRE TECHNIQUE

INSERT COILED END OF FISHWIRE TOOL THROUGH HITCH MOUNTING HOLE IN VEHICLE FRAME RAIL AND OUT THE ACCESS HOLE. PASS COILED END OF FISHWIRE THROUGH SPACER AND THREAD BOLT INTO COIL. KINK WIRE TO KEEP SPACER SEPARATE FROM BOLT AS SHOWN. PULL FISHWIRE, SPACER, AND BOLT THROUGH FRAME AND OUT MOUNTING HOLE. USE FISHWIRE TO GUIDE HITCH DURING MOUNTING AND PREVENT LOSS OF BOLT / SPACER INSIDE FRAME RAIL.

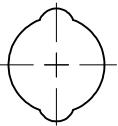


\*\*NOTE: SOME VEHICLES MAY FISHWIRE THROUGH END OF FRAME\*\*

PASSENGER SIDE FRAME RAIL



FRAME RAIL DIRECTION



CENTER HOLE ENLARGEMENT DIAGRAM

HITCH WEIGHT: 43 LBS.  
 INSTALL TIME: 30 MINUTES  
 INSTALL NOTES:  
 - LOWER EXHAUST  
 - ENLARGE HOLES (2)  
 - FISHWIRE HARDWARE

#### RUBBER ISOLATOR REMOVAL DIAGRAM

This technique can be used if an Exhaust Hanger Removal Pliers is not available.

Using a 5/8" open end wrench, slide the wrench up to the rubber isolator, cradling the hanger rod as shown. Next place the flat edge of a pry bar between the wrench and the hanger stop or hanger rod. Then simply rotate the pry bar toward the wrench to remove the rubber isolator.

Note: Using a spray lubricant or soapy water on the hanger rod and the rubber isolator helps removal.



## INSTALLATION STEPS

- 1) Lower exhaust by removing (4) rubber isolators. (See Rubber Isolator Removal Diagram.)
- 2) Enlarge center holes to allow spacer and carriage bolts to pass through. (See Hole Enlargement Diagram.)
- 3) Fishwire 1st and 2nd carriage bolts and spacers into position as shown. (Both sides; See Fishwire Technique.)
- 4) Reverse fishwire 3rd carriage bolt and spacer into center hole. (Both sides; See Reverse Pull Fishwire Technique.)
- 5) Raise hitch into position and attach using the hex flange nuts.
- 6) Torque all 1/2" hardware to 110 lb-ft.
- 7) Install rubber exhaust isolators removed in Step 1.

**PERIODICALLY CHECK THIS RECEIVER HITCH TO ENSURE THAT ALL FASTENERS ARE TIGHT AND THAT ALL STRUCTURAL COMPONENTS ARE SOUND.**



The **FIRST** Name  
in Towing Products™

Trailer Hitches