

12040

1999-2005 PONTIAC GRAND AM - ALL MODELS  
1999-2004 OLDSMOBILE ALERO

GROSS LOAD CAPACITY WHEN USED AS A WEIGHT CARRYING HITCH: 3,500 LBS. TRAILER WEIGHT &amp; 350 LBS. TONGUE WEIGHT.

\*\*\*DO NOT EXCEED VEHICLE MANUFACTURER'S RECOMMENDED TOWING CAPACITY.\*\*\*

WARNING: ALL NON-TRAILER LOADS APPLIED TO THIS PRODUCT MUST BE SUPPORTED BY AUXILIARY STABILIZING STRAPS.

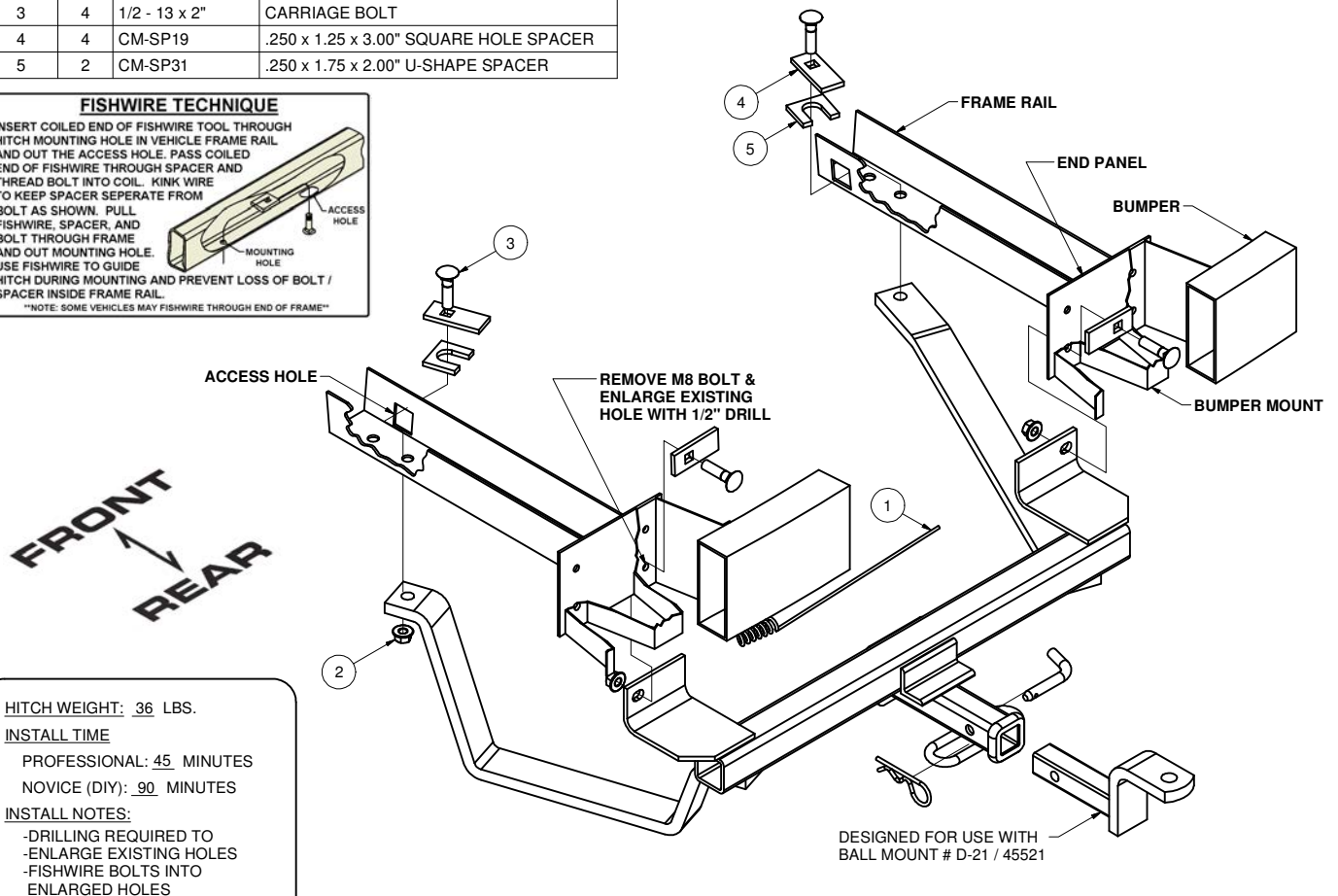
\*\* FAILURE TO PROPERLY SUPPORT NON-TRAILER LOADS WILL VOID PRODUCT WARRANTY\*\*

Parts List				
ITEM	QTY	PART NUMBER	DESCRIPTION	
1	1	1/2"	FISHWIRE TOOL	
2	4	HFN 1213	HEX FLANGE NUT	
3	4	1/2 - 13 x 2"	CARRIAGE BOLT	
4	4	CM-SP19	.250 x 1.25 x 3.00" SQUARE HOLE SPACER	
5	2	CM-SP31	.250 x 1.75 x 2.00" U-SHAPE SPACER	

**FISHWIRE TECHNIQUE**

INSERT COILED END OF FISHWIRE TOOL THROUGH HITCH MOUNTING HOLE IN VEHICLE FRAME RAIL AND OUT THE ACCESS HOLE. PASS COILED END OF FISHWIRE THROUGH SPACER AND THREAD BOLT INTO COIL. KINK WIRE TO KEEP SPACER SEPARATE FROM BOLT AS SHOWN. PULL FISHWIRE, SPACER, AND BOLT THROUGH FRAME AND OUT MOUNTING HOLE. USE FISHWIRE TO GUIDE HITCH DURING MOUNTING AND PREVENT LOSS OF BOLT / SPACER INSIDE FRAME RAIL.

NOTE: SOME VEHICLES MAY FISHWIRE THROUGH END OF FRAME\*\*



HITCH WEIGHT: 36 LBS.

**INSTALL TIME**

PROFESSIONAL: 45 MINUTES

NOVICE (DIY): 90 MINUTES

**INSTALL NOTES:**

- DRILLING REQUIRED TO ENLARGE EXISTING HOLES
- FISHWIRE BOLTS INTO ENLARGED HOLES

**INSTALLATION STEPS**

- 1) Remove existing M8 bumper bolts located on the inboard side of frame end panel (both sides).  
**Hint: Break off plastic tab and unscrew bolt from frame.**
- 2) Enlarge existing holes with a 1/2" drill bit.
- 3) Raise hitch into position, aligning hitch with holes in vehicle end panel and holes in bottom of frame rail.
- 4) Install carriage bolt and block through holes in end panel and hitch upright bracket.
- 5) Fishwire the 1/2" carriage bolt and blocks inside frame rail through access hole. The "C" shaped block goes in first, next to the frame as shown.
- 6) **NOTE: Be sure to keep "C" shaped block centered around hole inside frame rail.**
- 7) Torque all 1/2 handle nut to 110 LB.-FT (do not use impact wrench). Torque all 1/2 fasteners to 110 LB.-FT  
**PERIODICALLY CHECK THIS RECEIVER HITCH TO ENSURE THAT ALL FASTENERS ARE TIGHT AND THAT ALL STRUCTURAL COMPONENTS ARE SOUND.**

The **FIRST** Name  
in Towing Products™

Trailer Hitches