

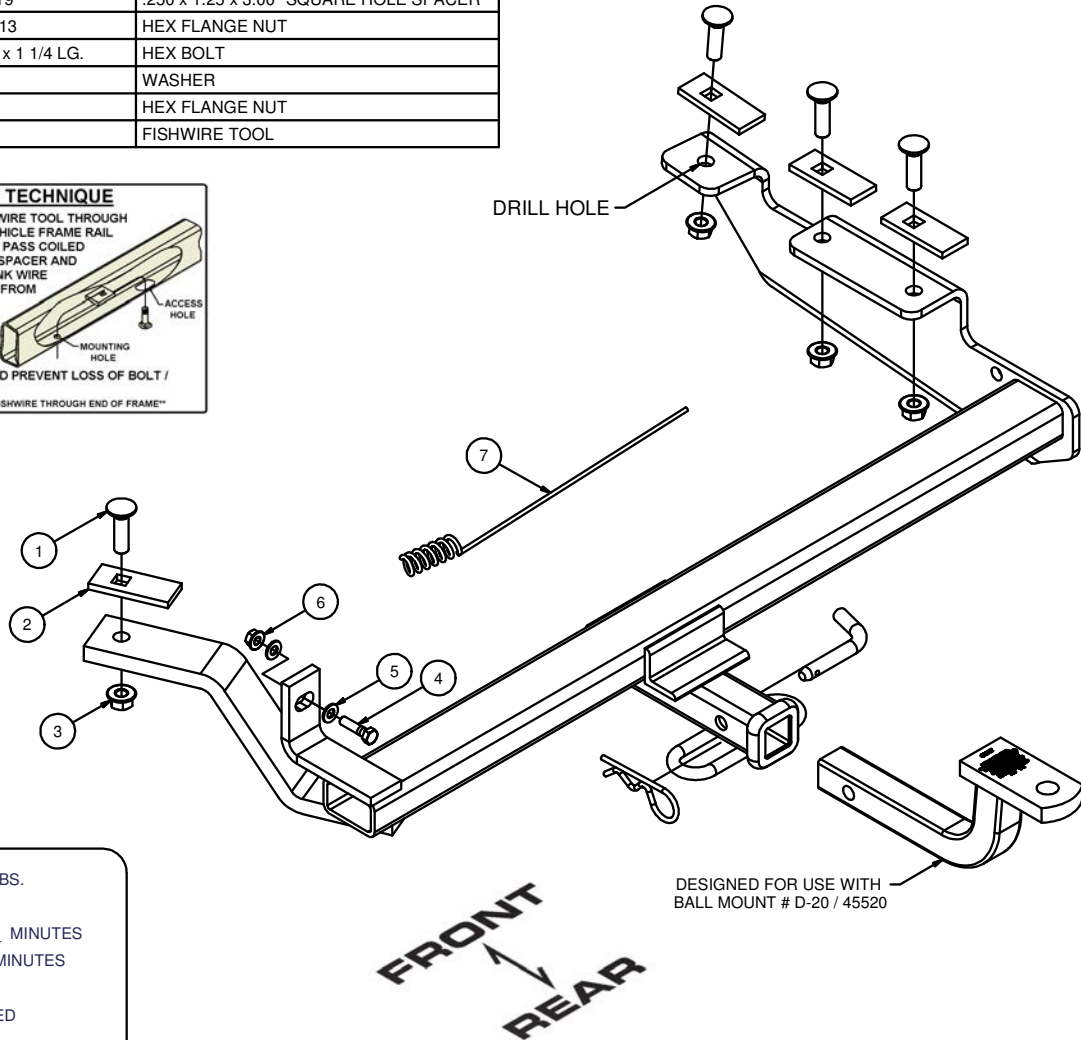
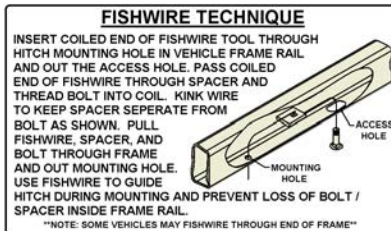
12027

97-03 CHEVY MALIBU/ 04-05 MALIBU CLASSIC / 97-00 OLDS CUTLASS

GROSS LOAD CAPACITY WHEN USED AS A WEIGHT CARRYING HITCH: 3,500 LBS. TRAILER WEIGHT & 350 LBS. TONGUE WEIGHT.

*****DO NOT EXCEED VEHICLE MANUFACTURER'S RECOMMENDED TOWING CAPACITY.*******WARNING: ALL NON-TRAILER LOADS APPLIED TO THIS PRODUCT MUST BE SUPPORTED BY AUXILIARY STABILIZING STRAPS.****** FAILURE TO PROPERLY SUPPORT NON-TRAILER LOADS WILL VOID PRODUCT WARRANTY****

Parts List			
ITEM	QTY	PART NUMBER	DESCRIPTION
1	4	1/2-13 x 1 3/4	CARRIAGE BOLT
2	4	CM-SP19	.250 x 1.25 x 3.00" SQUARE HOLE SPACER
3	4	HFN 1213	HEX FLANGE NUT
4	1	5/16-18 x 1 1/4 LG.	HEX BOLT
5	2	5/16"	WASHER
6	1	5/16-18	HEX FLANGE NUT
7	1	1/2"	FISHWIRE TOOL



HITCH WEIGHT: 40 LBS.

INSTALL TIME

PROFESSIONAL: 45 MINUTES

NOVICE (DIY): 90 MINUTES

INSTALL NOTES:

-DRILLING REQUIRED

-FISHWIRE HARDWARE

INSTALLATION STEPS

- 1) Remove lower, inboard M8 bumper bolt on drivers side and return to vehicle owner.
- 2) Fishwire 1/2" carriage bolts and 1/4" thick spacers through square access hole, into existing holes in frame.
- 3) Raise hitch into position and install 1/2" and 5/16" fasteners as shown.
- 4) Using hitch as template, drill hole on passenger side plate closest to the front of vehicle.
- 5) Torque 5/16" fasteners to 24 lb-ft and 1/2" fasteners to 110 lb-ft.

PERIODICALLY CHECK THIS RECEIVER HITCH TO ENSURE THAT ALL FASTENERS ARE TIGHT AND THAT ALL STRUCTURAL COMPONENTS ARE SOUND.



The **FIRST** Name
in Towing Products™

Trailer Hitches