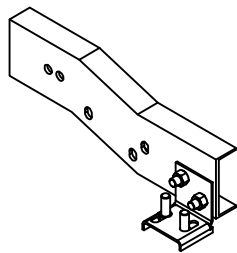
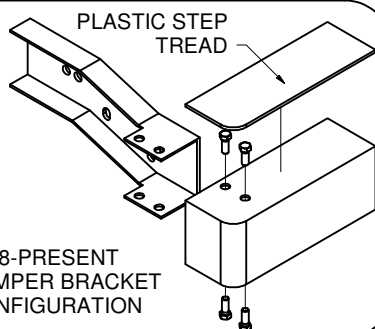
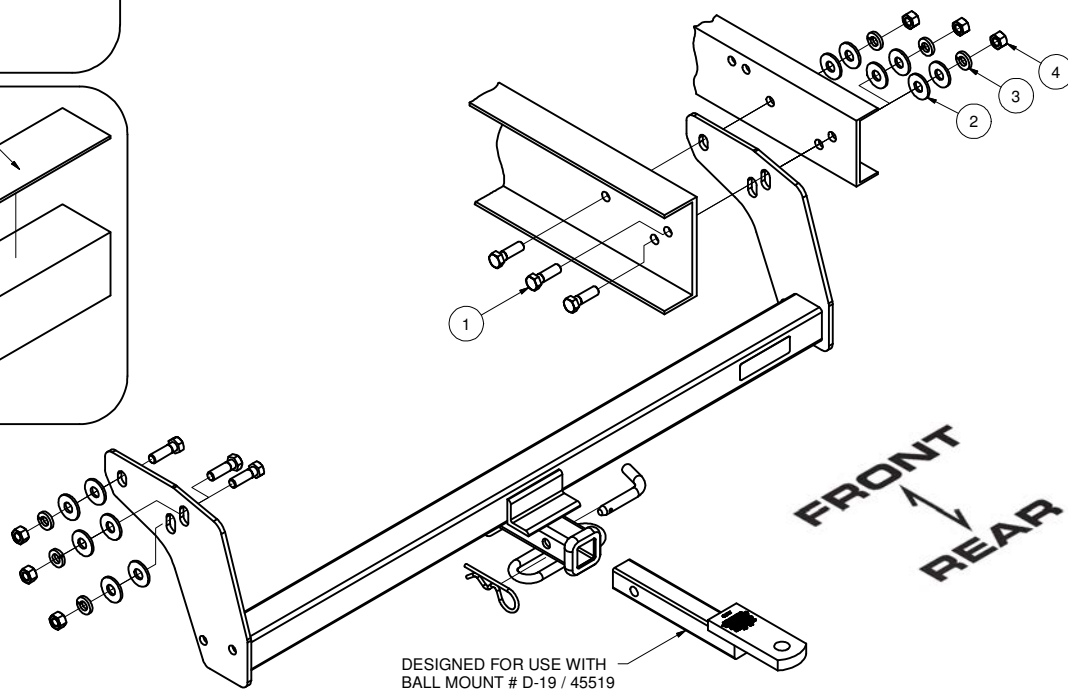


**12011****83-04 CHEVROLET / GMC S-10, S-15 & SONOMA PICKUPS (INCLUDING SPORT SIDE)  
96-00 ISUZU HOMBRE****GROSS LOAD CAPACITY WHEN USED AS A WEIGHT CARRYING HITCH: 3500 LBS. TRAILER WEIGHT & 350 LBS. TONGUE WEIGHT.  
\*\*\*DO NOT EXCEED VEHICLE MANUFACTURER'S RECOMMENDED TOWING CAPACITY.\*\*\***1994-1997  
BUMPER BRACKET  
CONFIGURATION1998-PRESENT  
BUMPER BRACKET  
CONFIGURATION

Parts List			
ITEM	QTY	PART NUMBER	DESCRIPTION
1	6	M12-1.75 x 40mm	HEX BOLT
2	12	FW12	FW, 12, ZP
3	6	1/2"	LOCK WASHER
4	6	M12 - 1.75	HEX NUT



HITCH WEIGHT: 38 LBS.  
 INSTALL TIME: 45 MINUTES  
 INSTALL NOTES:  
 - NO DRILLING REQUIRED

**INSTALLATION STEPS****SPORTSIDE BED MODELS**

Note: Some spare tires may need to be lowered and repositioned for hitch installation

- 1) Remove bumper bracket bolts and return to vehicle owner.
- 2) Position hitch on frame and install fasteners as shown above.

**STEP BUMPER MODELS**

- 1) Remove bumper, leaving brackets attached to frame. Disconnect bumper wiring and remove bumper.  
 Note: Pre-1994 models, bumper is attached to each bracket by two horizontal bolts.  
 1994-1997 models, bumper is attached to each bracket by two vertical bolts.  
 1998-present, remove plastic tread from top of bumper. The bumper is attached with four vertical bolts.
- 2) Remove bumper brackets from frame. Remove bumper wiring guides from bumper brackets.
- 3) If installing hitch on an early model vehicle using a cradle storage system for the spare tire, mark the spare tire carrier 1/8" inboard of outer frame edge. Lower spare tire and cut off carrier along previously marked line.
- 4) Position receiver on frame and loosely install bumper brackets using (3) M12 bolts and fasteners per side. Receiver brackets are positioned between bumper brackets and frame.
- 5) Pre-1994 models, reinstall bumper on bumper brackets with original bolts, using (3) 1/2" washers at each bolt location as spacers between brackets and bumper. ( see above)
- 6) Raise spare tire back into position and secure. Reconnect bumper wiring.
- 7) Torque all fasteners to 110 lb.-ft

**PERIODICALLY CHECK THIS RECEIVER HITCH TO ENSURE THAT ALL FASTENERS  
ARE TIGHT AND THAT ALL STRUCTURAL COMPONENTS ARE SOUND.**



The **FIRST** Name  
in Towing Products™

Trailer Hitches