

12009

77-85 BUICK LESABRE AND CENTURION, 77-84 ELECTRA AND PARK AVE, 92-96 ROADMASTER
77-96 CHEVROLET CAPRICE ,80-85 OLDSMOBILE 88 AND 80-84 98, 83-86 PONTIAC PARISSIENNE

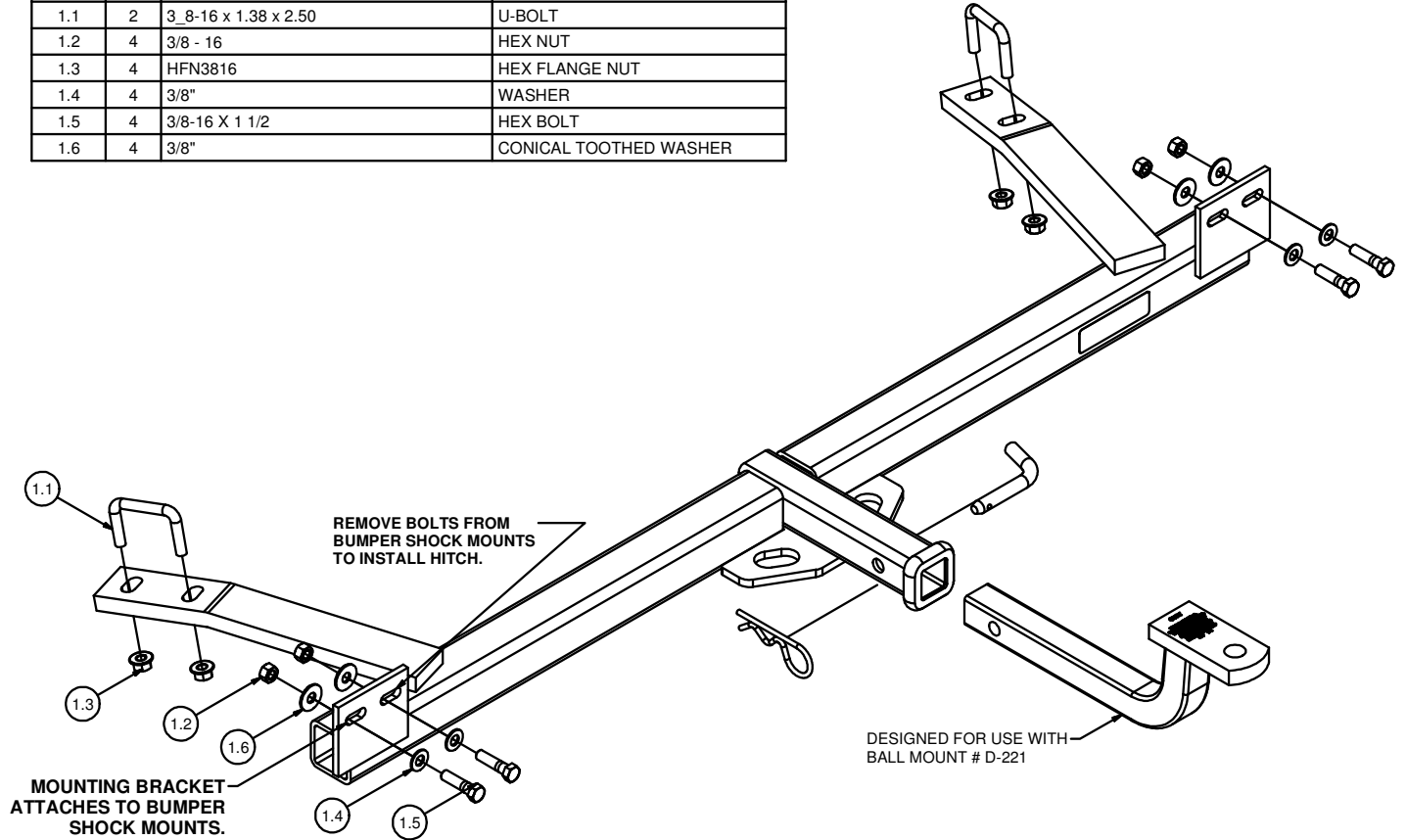
GROSS LOAD CAPACITY WHEN USED AS A WEIGHT CARRYING HITCH: 3,500 LBS. TRAILER WEIGHT & 350 LBS. TONGUE WEIGHT.

*****DO NOT EXCEED VEHICLE MANUFACTURER'S RECOMMENDED TOWING CAPACITY.*****

WARNING: ALL NON-TRAILER LOADS APPLIED TO THIS PRODUCT MUST BE SUPPORTED BY AUXILIARY STABILIZING STRAPS.

**** FAILURE TO PROPERLY SUPPORT NON-TRAILER LOADS WILL VOID PRODUCT WARRANTY****

Parts List			
ITEM	QTY	PART NUMBER	DESCRIPTION
1.1	2	3_8-16 x 1.38 x 2.50	U-BOLT
1.2	4	3/8 - 16	HEX NUT
1.3	4	HFN3816	HEX FLANGE NUT
1.4	4	3/8"	WASHER
1.5	4	3/8-16 X 1 1/2	HEX BOLT
1.6	4	3/8"	CONICAL TOOTHED WASHER



HITCH WEIGHT: 40 LBS.

INSTALL TIME

PROFESSIONAL: 30 MINUTES

NOVICE (DIY): 60 MINUTES

INSTALL NOTES:

-DRILLING REQUIRED

INSTALLATION STEPS

- 1) Remove 4 bolts from bumper shock mounts.
- 2) Raise hitch into position and install bolts and fasteners to bumper shock mounts
- 3) Drill holes as needed for U-bolts and install U-bolts.
- 4) Torque 3/8 fasteners to 45 lb.-ft

PERIODICALLY CHECK THIS RECEIVER HITCH TO ENSURE THAT ALL FASTENERS ARE TIGHT AND THAT ALL STRUCTURAL COMPONENTS ARE SOUND.



The **FIRST** Name
in Towing Products™

Trailer Hitches