

12004

2007 - 2009 ACURA RDX

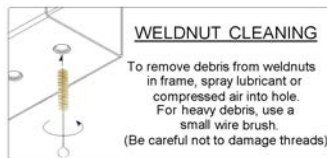
GROSS LOAD CAPACITY WHEN USED AS A WEIGHT CARRYING HITCH: 3,500 LBS. TRAILER WEIGHT & 300 LBS. TONGUE WEIGHT.

\*\*\*DO NOT EXCEED VEHICLE MANUFACTURER'S RECOMMENDED TOWING CAPACITY.\*\*\*

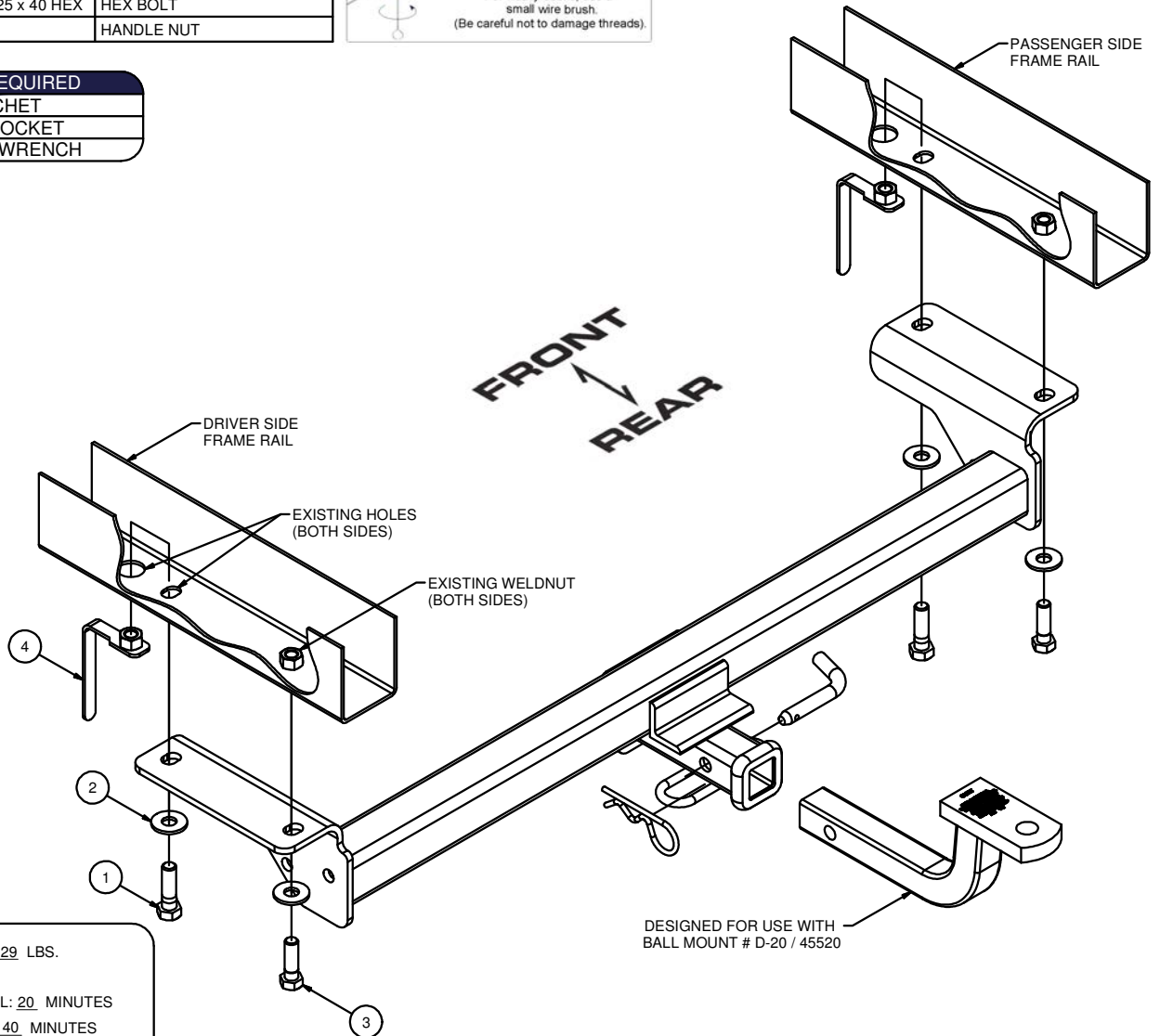
WARNING: ALL NON-TRAILER LOADS APPLIED TO THIS PRODUCT MUST BE SUPPORTED BY AUXILIARY STABILIZING STRAPS.

\*\* FAILURE TO PROPERLY SUPPORT NON-TRAILER LOADS WILL VOID PRODUCT WARRANTY\*\*

Parts List			
ITEM	QTY	PART NUMBER	DESCRIPTION
1	2	1/2-13 x 1 3/4	HEX BOLT
2	4	1/2"	CONICAL TOOTHED WASHER
3	2	M12 - 1.25 x 40 HEX	HEX BOLT
4	2	1/2-13	HANDLE NUT



TOOLS REQUIRED	
RATCHET	
19mm SOCKET	
TORQUE WRENCH	



DESIGNED FOR USE WITH BALL MOUNT # D-20 / 45520

HITCH WEIGHT: 29 LBS.  
 INSTALL TIME  
 PROFESSIONAL: 20 MINUTES  
 NOVICE (DIY): 40 MINUTES  
 INSTALL NOTES:  
 - NO DRILLING REQUIRED  
 - NO FISHWIRING REQUIRED

**INSTALLATION STEPS**

- 1) Raise hitch into position and align holes on hitch with holes in frame rail.
- 2) Install rearmost bolts hand-tight to secure hitch to frame.
- 3) Insert bent handle nuts as shown and install remaining hardware.
- 4) Torque M12 hardware to 86 lb-ft. and all 1/2" hardware to 110 lb-ft.

**PERIODICALLY CHECK THIS RECEIVER HITCH TO ENSURE THAT ALL FASTENERS ARE TIGHT AND THAT ALL STRUCTURAL COMPONENTS ARE SOUND.**



The **FIRST** Name in Towing Products™

Trailer Hitches