

11735**95-97 VOLKSWAGEN PASSAT**

11/26/2012

GROSS LOAD CAPACITY WHEN USED AS A WEIGHT CARRYING HITCH: 2,000 LBS. TRAILER WEIGHT & 200 LBS. TONGUE WEIGHT.

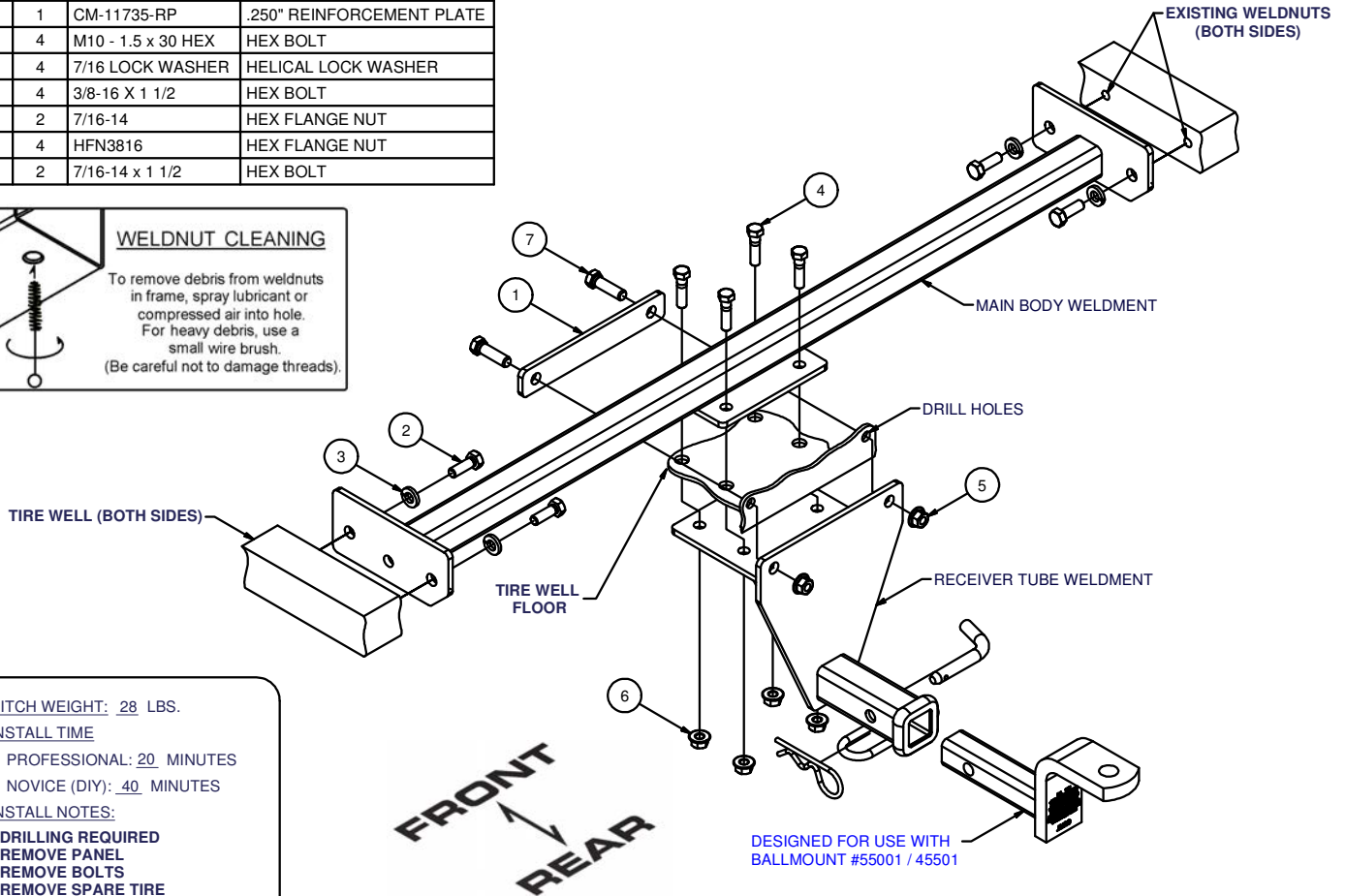
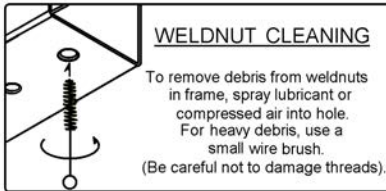
*****DO NOT EXCEED VEHICLE MANUFACTURER'S RECOMMENDED TOWING CAPACITY.*****

WARNING: ALL NON-TRAILER LOADS APPLIED TO THIS PRODUCT MUST BE SUPPORTED BY 18050 STABILIZING STRAPS.

**** FAILURE TO PROPERLY SUPPORT NON-TRAILER LOADS WILL VOID PRODUCT WARRANTY****

Parts List

ITEM	QTY	PART NUMBER	DESCRIPTION
1	1	CM-11735-RP	.250" REINFORCEMENT PLATE
2	4	M10 - 1.5 x 30 HEX	HEX BOLT
3	4	7/16 LOCK WASHER	HELICAL LOCK WASHER
4	4	3/8-16 X 1 1/2	HEX BOLT
5	2	7/16-14	HEX FLANGE NUT
6	4	HFN3816	HEX FLANGE NUT
7	2	7/16-14 x 1 1/2	HEX BOLT



HITCH WEIGHT: 28 LBS.

INSTALL TIME

PROFESSIONAL: 20 MINUTES

NOVICE (DIY): 40 MINUTES

INSTALL NOTES:

- DRILLING REQUIRED
- REMOVE PANEL
- REMOVE BOLTS
- REMOVE SPARE TIRE
- SILICONE SEAL HARDWARE

INSTALLATION STEPS

1. Temporarily remove the large plastic panel from under rear of vehicle. Temporarily remove spare tire and other contents from spare tire well. Inside spare tire well, mark center of vehicle on rear most vertical surface. Center CM-11735-RP on vehicle, with holes at 1 1/16" up from bottom surface and mark both holes. Centerpunch and drill (2) 15/32" diameter holes.
2. Remove and discard, (2) bolts per side in the tire well. Install main body weldment of hitch as shown.
3. Using main body weldment as a drill template, drill (4) holes in tire well floor for 3/8" hardware.
4. Remove all but a thin layer of undercoating where receiver tube weldment will meet underside of tire well. Install receiver tube weldment of hitch as shown.
5. Torque all M10 hardware to 45 lb.-ft., all 3/8" hardware to 45 lb.-ft., and all 7/16" hardware to 70 lb.-ft.
6. Use silicone sealant to seal hardware installed through spare tire well.
7. Reinstall spare tire and plastic panel removed in Step 1.

PERIODICALLY CHECK THIS RECEIVER HITCH TO ENSURE THAT ALL FASTENERS ARE TIGHT AND THAT ALL STRUCTURAL COMPONENTS ARE SOUND.



The **FIRST** Name
in Towing Products™

Trailer Hitches