

# 11701 MERCEDES BENZ E SEDAN, WAGON (EXCL. SPORT EDITION)

10/5/2012

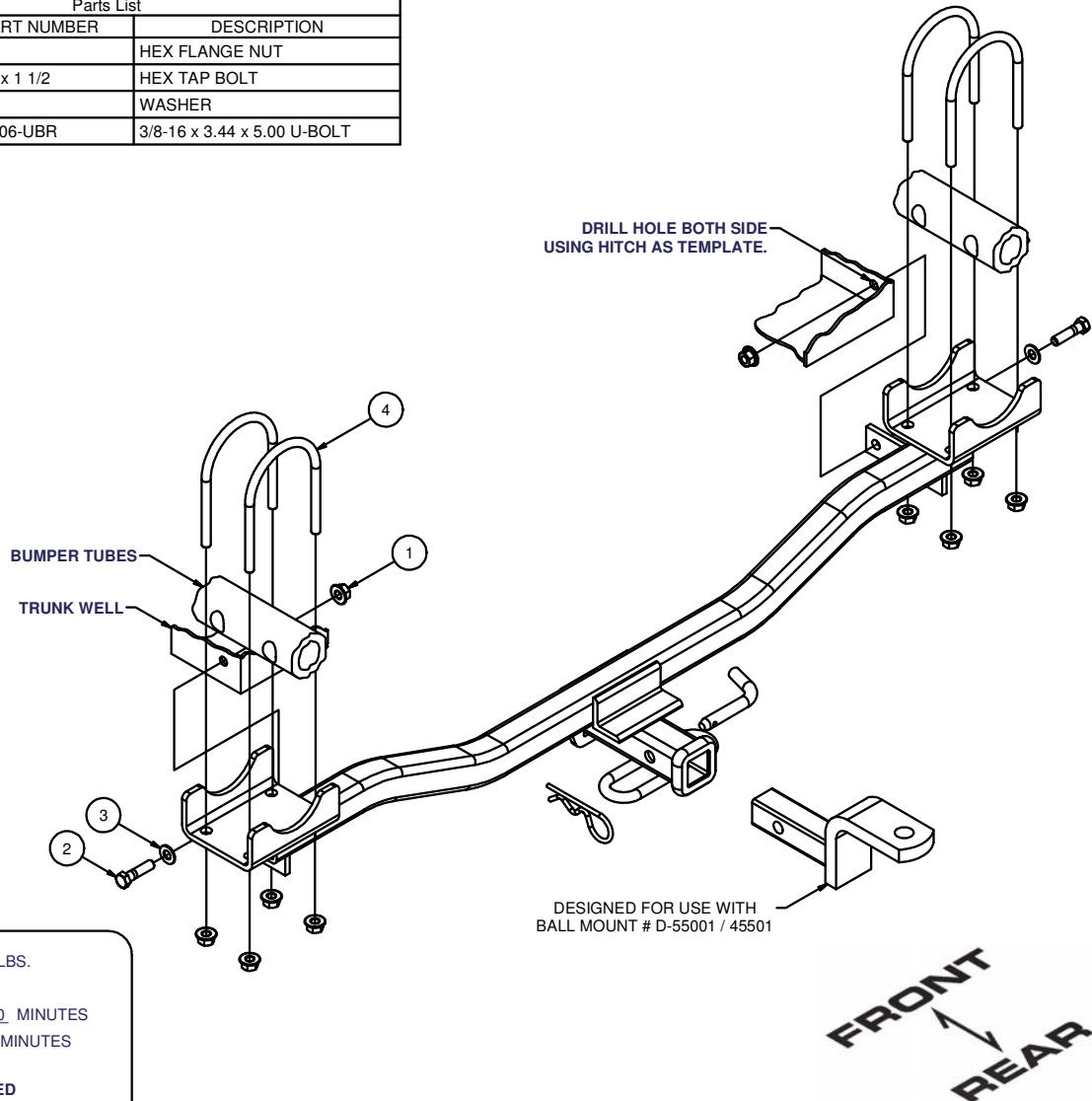
GROSS LOAD CAPACITY WHEN USED AS A WEIGHT CARRYING HITCH: 2,500 LBS. TRAILER WEIGHT & 250 LBS. TONGUE WEIGHT.

**\*\*\*DO NOT EXCEED VEHICLE MANUFACTURER'S RECOMMENDED TOWING CAPACITY.\*\*\***

**WARNING: ALL NON-TRAILER LOADS APPLIED TO THIS PRODUCT MUST BE SUPPORTED BY AUXILIARY STABILIZING STRAPS.**

**\*\* FAILURE TO PROPERLY SUPPORT NON-TRAILER LOADS WILL VOID PRODUCT WARRANTY\*\***

| Parts List |     |                |                             |
|------------|-----|----------------|-----------------------------|
| ITEM       | QTY | PART NUMBER    | DESCRIPTION                 |
| 1          | 10  | 3/8-16         | HEX FLANGE NUT              |
| 2          | 2   | 3/8-16 x 1 1/2 | HEX TAP BOLT                |
| 3          | 2   | 3/8"           | WASHER                      |
| 4          | 4   | CM-3806-UBR    | 3/8-16 x 3.44 x 5.00 U-BOLT |



HITCH WEIGHT: 27 LBS.

#### INSTALL TIME

PROFESSIONAL: 30 MINUTES

NOVICE (DIY): 60 MINUTES

#### INSTALL NOTES:

- DRILLING REQUIRED
- REMOVE SPARE TIRE
- UNBOLT FASCIA TABS

## INSTALLATION STEPS

1. Clear trunk well by removing tire and moving battery as far left as possible without disconnecting power cables.
2. Unbolt fascia tabs from body.
3. Fasten hitch to bumper tubes with U-bolts as shown.
4. Drill remaining mounting holes using hitch as a template. Install 3/8" hardware provided through drilled holes.
5. Torque all fasteners to 45 lb.-ft.

**PERIODICALLY CHECK THIS RECEIVER HITCH TO ENSURE THAT ALL FASTENERS ARE TIGHT AND THAT ALL STRUCTURAL COMPONENTS ARE SOUND.**



The **FIRST** Name  
in Towing Products™

Trailer Hitches