

11471**HYUNDAI ELANTRA TOURING 5 DOOR****3/31/2016****GROSS LOAD CAPACITY WHEN USED AS A WEIGHT CARRYING HITCH: 2,000 LBS. TRAILER WEIGHT & 200 LBS. TONGUE WEIGHT.**

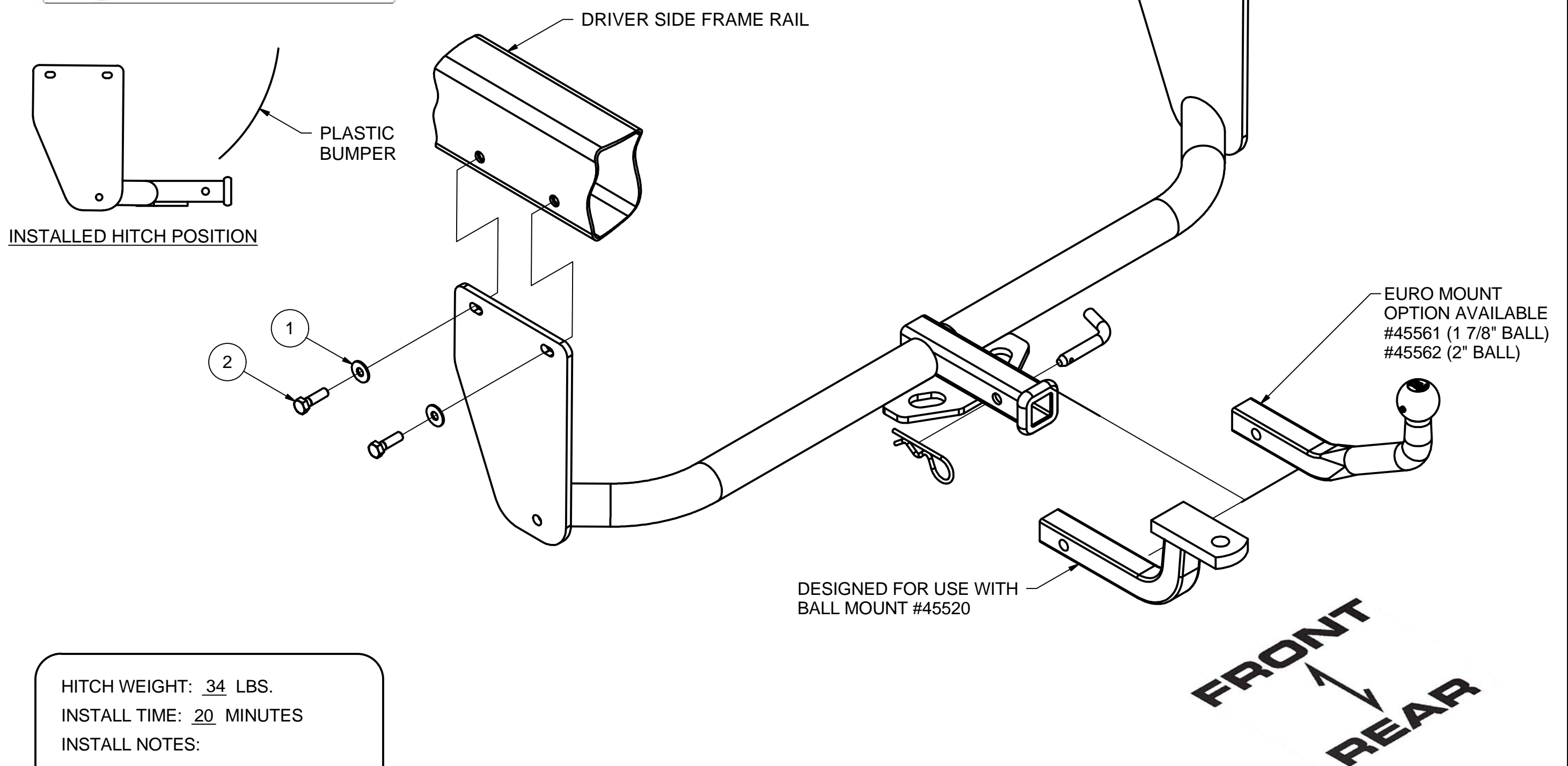
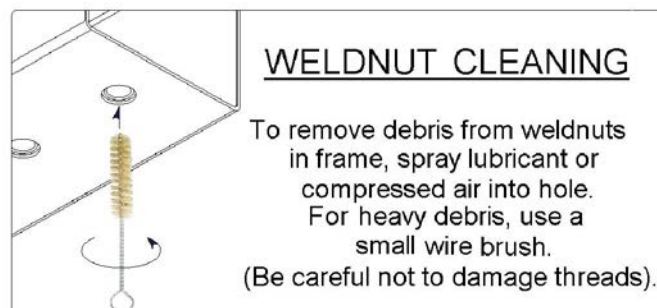
DO NOT EXCEED VEHICLE MANUFACTURER'S RECOMMENDED TOWING CAPACITY.

WARNING: ALL NON-TRAILER LOADS APPLIED TO THIS PRODUCT MUST BE SUPPORTED BY AUXILIARY STABILIZING STRAPS.

** FAILURE TO PROPERLY SUPPORT NON-TRAILER LOADS WILL VOID PRODUCT WARRANTY**

Parts List			
ITEM	QTY	PART NUMBER	DESCRIPTION
1	4	3/8"	CONICAL TOOTHED WASHER
2	4	M10-1.25 x 35	HEX BOLT

TOOLS REQUIRED
17mm SOCKET
RATCHET
TORQUE WRENCH



HITCH WEIGHT: 34 LBS.
 INSTALL TIME: 20 MINUTES
 INSTALL NOTES:
 - NO DRILLING REQUIRED

INSTALLATION STEPS

1. Raise hitch into position aligning the holes in the side plates with the holes in the frame rails.
2. Secure the hitch using a 3/8" conical toothed washer and M10 x 1.25 x 35mm hex bolt into each weld nut in the outboard sides of the frame rails as shown.
3. Torque all hardware to 48 ft-lbs.

PERIODICALLY CHECK THIS RECEIVER HITCH TO ENSURE THAT ALL FASTENERS ARE TIGHT AND THAT ALL STRUCTURAL COMPONENTS ARE SOUND.