

11443

SUZUKI SX4

GROSS LOAD CAPACITY WHEN USED AS A WEIGHT CARRYING HITCH: 2,000 LBS. TRAILER WEIGHT & 200 LBS. TONGUE WEIGHT.

**\*\*\*DO NOT EXCEED VEHICLE MANUFACTURER'S RECOMMENDED TOWING CAPACITY.\*\*\***

WARNING: ALL NON-TRAILER LOADS APPLIED TO THIS PRODUCT MUST BE SUPPORTED BY AUXILIARY STABILIZING STRAPS.

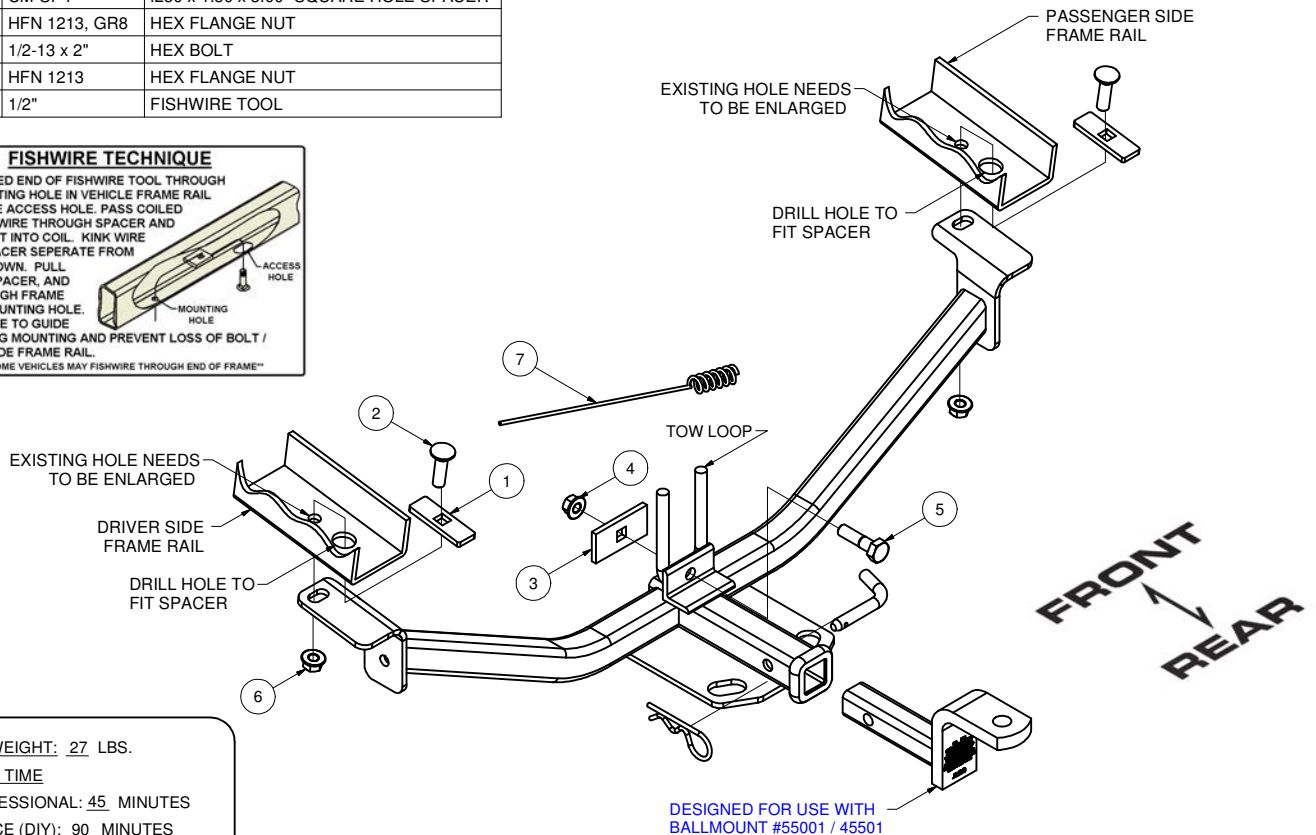
**\*\* FAILURE TO PROPERLY SUPPORT NON-TRAILER LOADS WILL VOID PRODUCT WARRANTY\*\***

Parts List			
ITEM	QTY	PART NUMBER	DESCRIPTION
1	2	CM-SP6	.250 x 1.00 x 3.00" SQUARE HOLE SPACER
2	2	1/2-13 x 1 3/4	CARRIAGE BOLT
3	1	CM-SP4	.250 x 1.50 x 3.00" SQUARE HOLE SPACER
4	1	HFN 1213, GR8	HEX FLANGE NUT
5	1	1/2-13 x 2"	HEX BOLT
6	2	HFN 1213	HEX FLANGE NUT
7	1	1/2"	FISHWIRE TOOL

#### FISHWIRE TECHNIQUE

INSERT COILED END OF FISHWIRE TOOL THROUGH HITCH MOUNTING HOLE IN VEHICLE FRAME RAIL AND OUT THE ACCESS HOLE. PASS COILED END OF FISHWIRE THROUGH SPACER AND THREAD BOLT INTO COIL. KINK WIRE TO KEEP SPACER SEPARATE FROM BOLT AS SHOWN. PULL FISHWIRE, SPACER, AND BOLT THROUGH FRAME AND OUT MOUNTING HOLE. USE FISHWIRE TO GUIDE HITCH DURING MOUNTING AND PREVENT LOSS OF BOLT / SPACER INSIDE FRAME RAIL.

\*\*NOTE: SOME VEHICLES MAY FISHWIRE THROUGH END OF FRAME\*\*



HITCH WEIGHT: 27 LBS.

#### INSTALL TIME

PROFESSIONAL: 45 MINUTES

NOVICE (DIY): 90 MINUTES

#### INSTALL NOTES:

- DRILL ACCESS HOLES
- ENLARGE HOLES
- LOWER EXHAUST

## INSTALLATION STEPS

- 1) Lower last three exhaust hangers on vehicle for ease of installation.
- 2) Drill 1" access hole in frame, both sides, for fishwiring. Holes drilled should be about 1" - 1 1/2" from rear most existing holes in frame to be covered up by hitch sideplates.
- 3) Enlarge the last hole on both frame rails to fit a 1/2" bolt.
- 4) Fishwire 1/2" carriage bolts with SP6 spacers into enlarged holes in frame rail as shown, both sides.
- 5) Raise hitch into position and tighten sideplates with 1/2" flange nuts.
- 6) Attach 1/2" carriage bolt through mounting angle, then tighten to the SP4 spacer and tow hook using a 1/2" hex flange nut.
- 7) Torque all 1/2" hardware to 110 ft-lbs.
- 8) Reattach all three exhaust hangers.

**PERIODICALLY CHECK THIS RECEIVER HITCH TO ENSURE THAT ALL FASTENERS ARE TIGHT AND THAT ALL STRUCTURAL COMPONENTS ARE SOUND.**



The **FIRST** Name  
in Towing Products™

Trailer Hitches