

11434

KIA FORTE

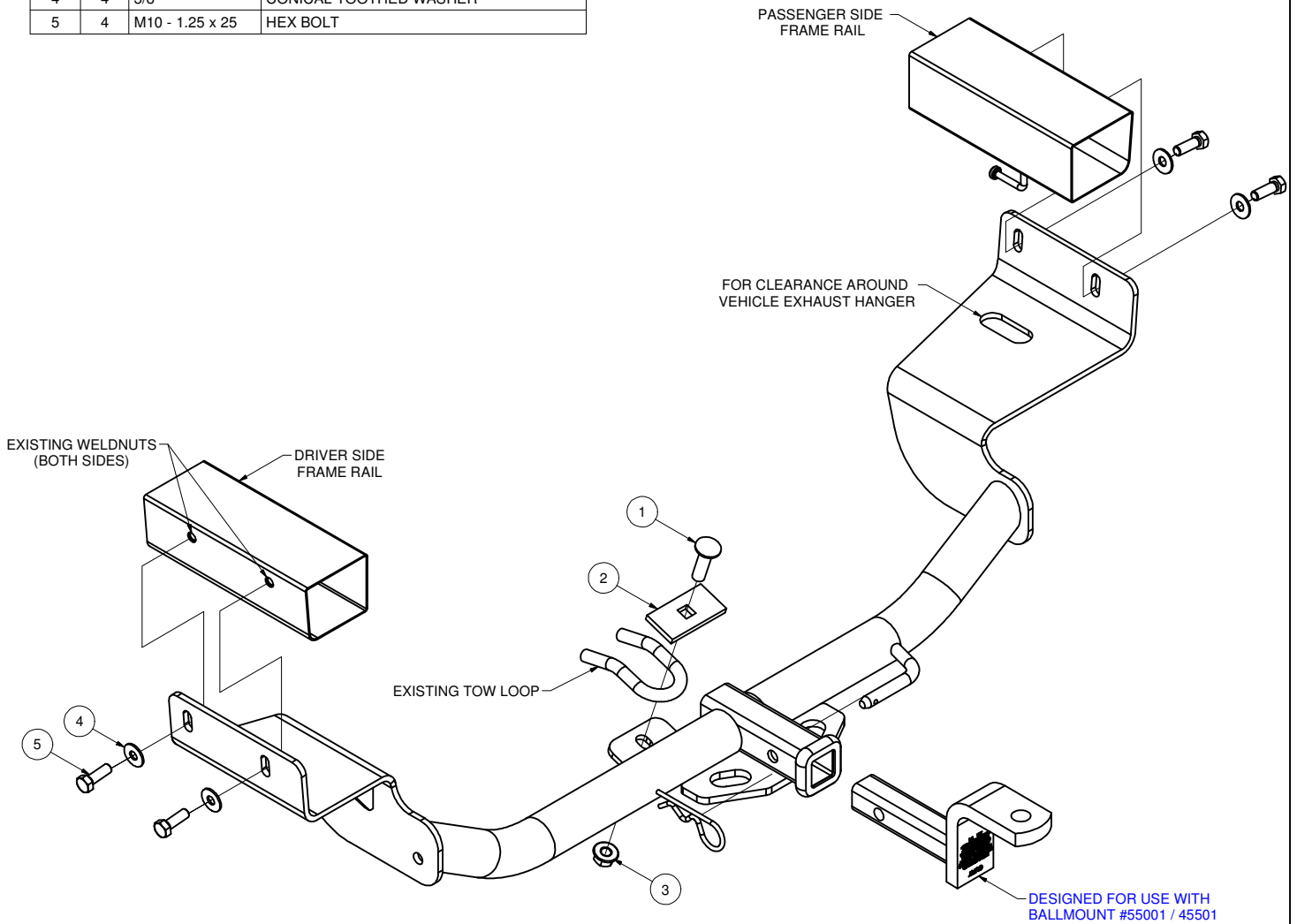
GROSS LOAD CAPACITY WHEN USED AS A WEIGHT CARRYING HITCH: 2,000 LBS. TRAILER WEIGHT & 200 LBS. TONGUE WEIGHT.

DO NOT EXCEED VEHICLE MANUFACTURER'S RECOMMENDED TOWING CAPACITY.

WARNING: ALL NON-TRAILER LOADS APPLIED TO THIS PRODUCT MUST BE SUPPORTED BY AUXILIARY STABILIZING STRAPS.

** FAILURE TO PROPERLY SUPPORT NON-TRAILER LOADS WILL VOID PRODUCT WARRANTY**

Parts List				
ITEM	QTY	PART NUMBER	DESCRIPTION	
1	1	1/2-13 x 1 3/4	CARRIAGE BOLT	
2	1	CM-SP4	.250 x 1.50 x 3.00" SQUARE HOLE SPACER	
3	1	HFN 1213	HEX FLANGE NUT	
4	4	3/8"	CONICAL TOOTHED WASHER	
5	4	M10 - 1.25 x 25	HEX BOLT	



HITCH WEIGHT: 30 LBS.
 INSTALL TIME
 PROFESSIONAL: 30 MINUTES
 NOVICE (DIY): 60 MINUTES
 INSTALL NOTES:
 - NO DRILLING REQUIRED
 - LOWER EXHAUST



PERIODICALLY CHECK THIS RECEIVER HITCH TO ENSURE THAT ALL FASTENERS ARE TIGHT AND THAT ALL STRUCTURAL COMPONENTS ARE SOUND.



The FIRST Name in Towing Products™

Trailer Hitches

11434

KIA FORTE

GROSS LOAD CAPACITY WHEN USED AS A WEIGHT CARRYING HITCH: 2,000 LBS. TRAILER WEIGHT & 200 LBS. TONGUE WEIGHT.

DO NOT EXCEED VEHICLE MANUFACTURER'S RECOMMENDED TOWING CAPACITY.

WARNING: ALL NON-TRAILER LOADS APPLIED TO THIS PRODUCT MUST BE SUPPORTED BY AUXILIARY STABILIZING STRAPS.

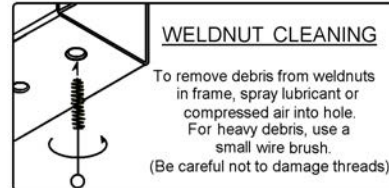
** FAILURE TO PROPERLY SUPPORT NON-TRAILER LOADS WILL VOID PRODUCT WARRANTY**

**RUBBER ISOLATOR
REMOVAL DIAGRAM**

This technique can be used if and Exhaust Hanger Removal Pliers is not available.

Using a 5/8" open end wrench, slide the wrench up to the rubber isolator, cradling the hanger rod as shown. Next place the flat edge of a pry bar between the wrench and the hanger stop or hanger rod. Then simply rotate the pry bar toward the wrench to remove the rubber isolator.

Note: Using a spray lubricant or soapy water on the hanger rod and the rubber isolator helps removal.



WELDNUT CLEANING

To remove debris from weldnuts in frame, spray lubricant or compressed air into hole. For heavy debris, use a small wire brush. (Be careful not to damage threads).

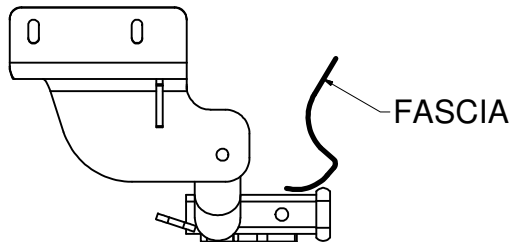
TOOLS REQUIRED

SOCKET WRENCH

TORQUE WRENCH

3/4 in. SOCKET

17mm SOCKET



INSTALLED HITCH POSITION

INSTALLATION STEPS

1. Lower exhaust for ease of installation by removing two (2) rubber isolators from exhaust. (See RUBBER ISOLATOR REMOVAL DIAGRAM.)

Note: For rear isolator, remove isolator from single exhaust hanger attached to vehicle.

2. Install 1/2" carriage bolt and CM-SP4 spacer through top of existing vehicle tow loop, as shown.

3. Raise hitch into position over exhaust.

4. Loosely install 1/2" hex flange nut onto carriage bolt from Step 2.

5. Loosely secure hitch with M10-1.25 hex bolts and 3/8" conical toothed washers through existing weldnuts in outside of frame rails.

6. Torque M10-1.25 hardware to 48 lb-ft and 1/2" hardware to 110 lb-ft.

7. Raise exhaust back into position.

PERIODICALLY CHECK THIS RECEIVER HITCH TO ENSURE THAT ALL FASTENERS ARE TIGHT AND THAT ALL STRUCTURAL COMPONENTS ARE SOUND.