



Safety glasses should be worn at all times while installing this product.

YEARS: 2013-PRESENT

MAKE: CHEVROLET

MODEL: SONIC RS

STYLE: HATCHBACK




WARNING: NEVER EXCEED YOUR VEHICLE MANUFACTURER'S RECOMMENDED TOWING CAPACITY

WEIGHT CARRYING:
 TRAILER WEIGHT: 2000 LBS.
 TONGUE WEIGHT: 200 LBS.

INSTALLATION TIME: 20 MIN.

THE INSTALL TIME LISTED IS FOR PROFESSIONAL INSTALLERS. IF YOU ARE HESITANT TO UNDERTAKE THIS TASK ON YOUR OWN, CONTACT AN AUTHORIZED CURT INSTALLER FOR ADDITIONAL ASSISTANCE.

INSTALLATION REQUIRES:


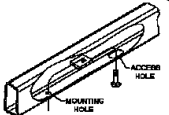
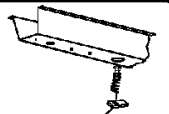
 RATCHET	 11/16" SOCKET	 TORQUE WRENCH

INSTALLATION TIPS:

- BEFORE YOU BEGIN INSTALLATION, READ ALL INSTRUCTIONS THOROUGHLY.
- TO EASE INSTALLATION, 2 PEOPLE MAY BE REQUIRED.
- USING PROPER TOOLS WILL GREATLY IMPROVE THE QUALITY OF THE INSTALL AND REDUCE THE TIME REQUIRED.

LEVEL OF DIFFICULTY: EASY

EASY MODERATE CHALLENGING

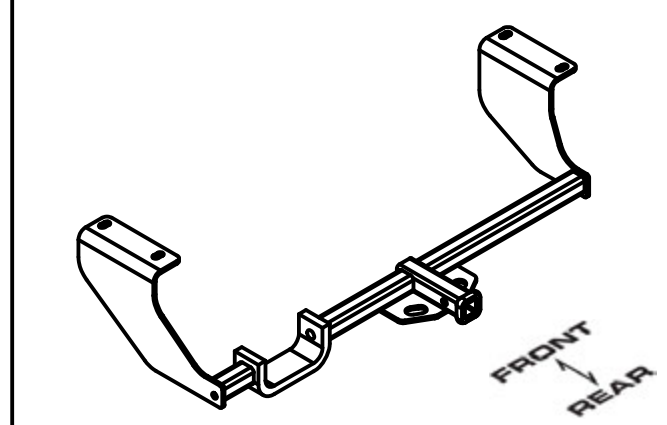
	NO DRILLING REQUIRED
	FISHWIRE HARDWARE
	REVERSE FISHWIRING REQUIRED

VEHICLE PHOTO:



REPRESENTATIVE PHOTO

TRAILER HITCH ILLUSTRATION:

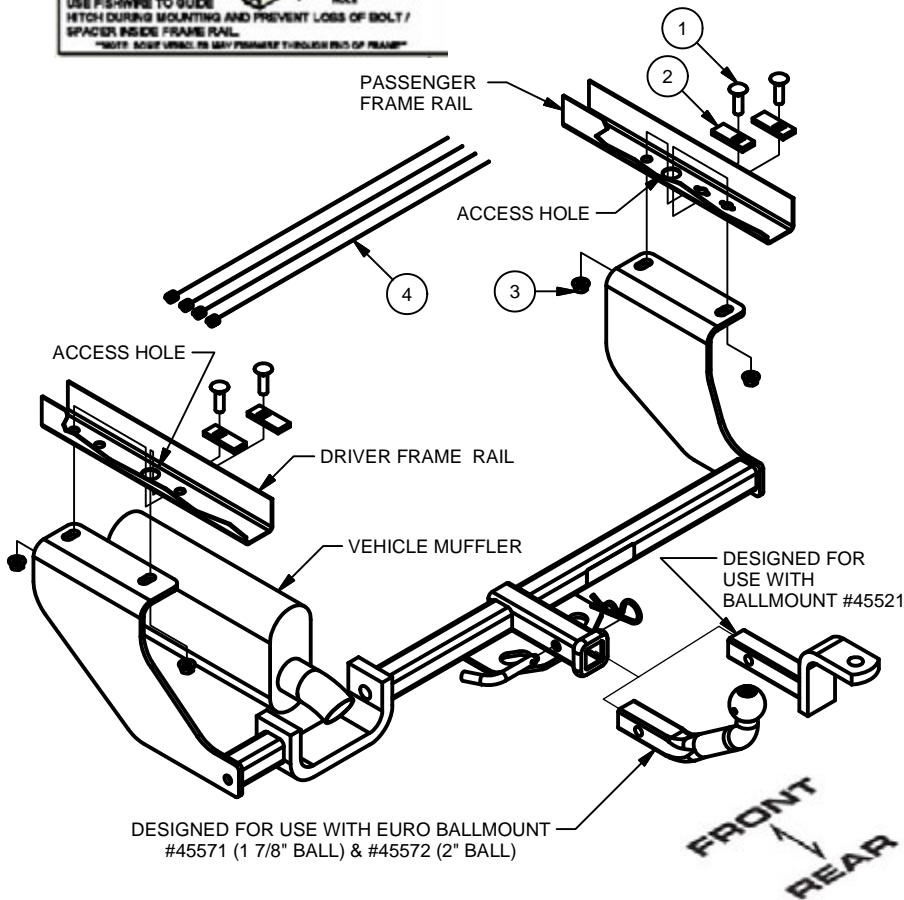


MAKE SURE YOUR HITCH MATCHES

PERIODICALLY CHECK THIS RECEIVER HITCH TO ENSURE ALL FASTENERS ARE TIGHT AND ALL STRUCTURAL COMPONENTS ARE SOUND CURT Manufacturing LLC. warrants this product to be free of defects in material and/or workmanship at the time of retail purchase by the original purchaser. If the product is found to be defective, Curt Manufacturing LLC. may repair or replace the product at their option, when the product is returned, prepaid, with proof of purchase. Alteration to, misuse of, or improper installation of this product voids the warranty. Curt Manufacturing LLC.'s liability is limited to repair or replacement of products found to be defective, and specifically excludes liability for incidental or consequential loss or damage.

INSTALLATION WALKTHROUGH:

Parts List			
ITEM	QTY	PART NUMBER	DESCRIPTION
1	4	7/16-14 x 1 1/2	CARRIAGE BOLT
2	4	CM-SP2	.250 x .88 x 2.25" SPACER
3	4	7/16-14	HEX FLANGE NUT
4	4	7_16 FISHWIRE	7/16" FISHWIRE

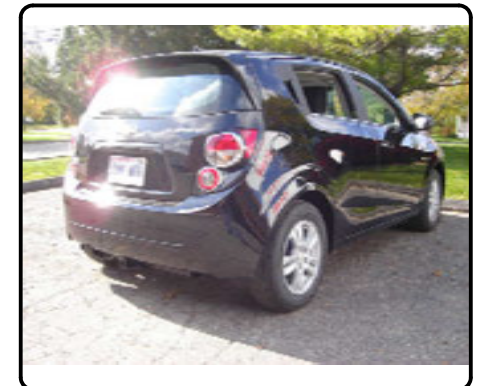


1. Fishwire CM-SP2 spacers and 7/16-14 carriage bolts through access holes and into attaching holes. Leave fishwires attached.

Note: Driver side requires reverse fishwire for rearmost fastener.



2. Raise hitch into position, being careful not to push bolts back into frame.
 3. Remove fishwires. Secure with 7/16-14 flanged nuts.
 4. Torque all 7/16-14 fasteners to 70 ft.-lbs.
- Installation is complete.



11398

2013-PRESENT CHEVROLET SONIC RS HATCHBACK

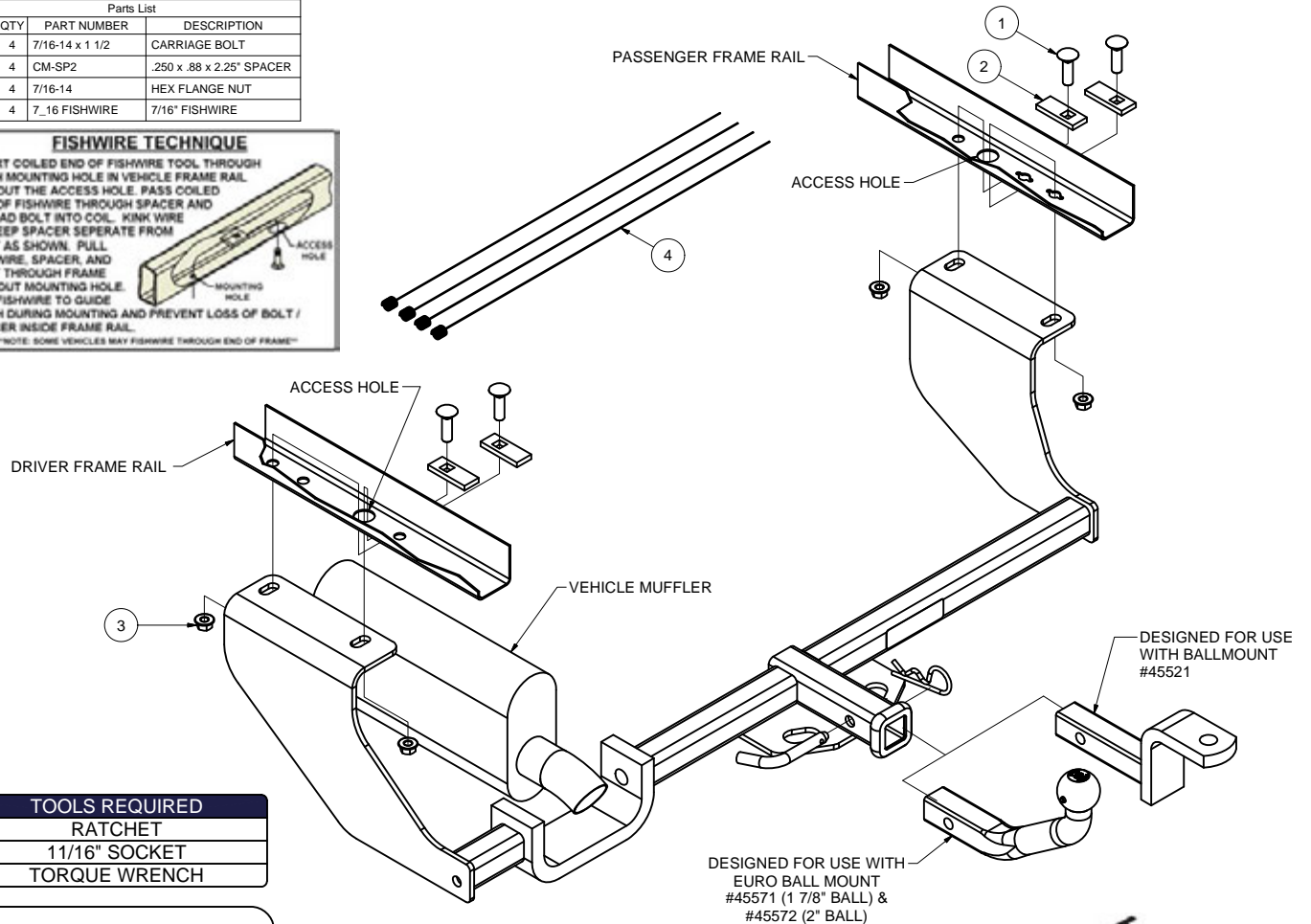
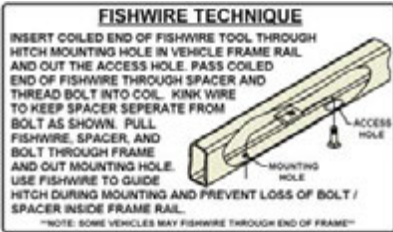
GROSS LOAD CAPACITY WHEN USED AS A WEIGHT CARRYING HITCH: 2000 LBS. TRAILER WEIGHT & 200 LBS. TONGUE WEIGHT.

DO NOT EXCEED VEHICLE MANUFACTURER'S RECOMMENDED TOWING CAPACITY.

WARNING: ALL NON-TRAILER LOADS APPLIED TO THIS PRODUCT MUST BE SUPPORTED BY 18050 STABILIZING STRAPS.

** FAILURE TO PROPERLY SUPPORT NON-TRAILER LOADS WILL VOID PRODUCT WARRANTY**

Parts List		
ITEM	QTY	PART NUMBER DESCRIPTION
1	4	7/16-14 x 1 1/2 CARRIAGE BOLT
2	4	CM-SP2 .250 x .88 x 2.25" SPACER
3	4	7/16-14 HEX FLANGE NUT
4	4	7_16 FISHWIRE 7/16" FISHWIRE



TOOLS REQUIRED
RATCHET
11/16" SOCKET
TORQUE WRENCH

HITCH WEIGHT: 34 LBS.

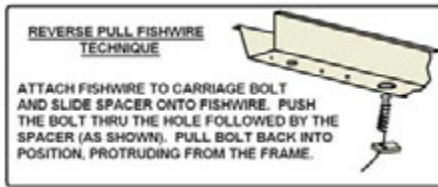
INSTALL TIME

PROFESSIONAL: 20 MINUTES

NOVICE (DIY): 45 MINUTES

INSTALL NOTES:

- NO DRILLING REQUIRED
- FISHWIRE HARDWARE
- REVERSE FISHWIRE HARDWARE



INSTALLATION STEPS

1. Fishwire CM-SP2 spacers and 7/16-14 carriage bolts through access holes and into attaching holes. Leave fishwires attached.
Note: Driver side requires reverse fishwire for rearmost fastener.
2. Raise hitch into position, being careful not to push bolts back into frame.
3. Remove fishwires. Secure with 7/16-14 flange hex nuts.
4. Torque all 7/16-14 fasteners to 70 ft.-lbs.

PERIODICALLY CHECK THIS RECEIVER HITCH TO ENSURE THAT ALL FASTENERS ARE TIGHT AND THAT ALL STRUCTURAL COMPONENTS ARE SOUND.

Curt Manufacturing LLC., warrants this product to be free of defects in material and/or workmanship at the time of retail purchase by the original purchaser. If the product is found to be defective, Curt Manufacturing LLC., may repair or replace the product, at their option, when the product is returned, prepaid, with proof of purchase. Alteration to, misuse of, or improper installation of this product voids the warranty. Curt Manufacturing LLC.'s liability is limited to repair or replacement of products found to be defective, and specifically excludes liability for incidental or consequential loss or damage.