



Safety glasses should be worn at all times while installing this product.

YEARS: 2014-PRESENT

MAKE: MITSUBISHI

MODEL: MIRAGE

STYLE: HATCHBACK




**WARNING: NEVER EXCEED YOUR VEHICLE MANUFACTURER'S RECOMMENDED TOWING CAPACITY**

**WEIGHT CARRYING:**  
 TRAILER WEIGHT: 1,500 LBS.  
 TONGUE WEIGHT: 200 LBS.

**PRO INSTALL TIME: 20 MIN.**  
**NOVICE INSTALL TIME: 40 MIN.**

IF YOU ARE HESITANT TO UNDERTAKE THIS TASK ON YOUR OWN, CONTACT AN AUTHORIZED CURT INSTALLER FOR ADDITIONAL ASSISTANCE.

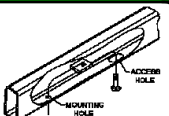

**INSTALLATION REQUIRES:**

 RATCHET	 TORQUE WRENCH	 9/16" 11/16" SOCKET
 6" SOCKET EXTENSION	 DIE GRINDER	 SAFETY GLASSES

**INSTALLATION TIPS:**

- BEFORE YOU BEGIN INSTALLATION, READ ALL INSTRUCTIONS THOROUGHLY.
- TO EASE INSTALLATION, 2 PEOPLE MAY BE REQUIRED.
- USING PROPER TOOLS WILL GREATLY IMPROVE THE QUALITY OF THE INSTALL AND REDUCE THE TIME REQUIRED.

**LEVEL OF DIFFICULTY: MODERATE**

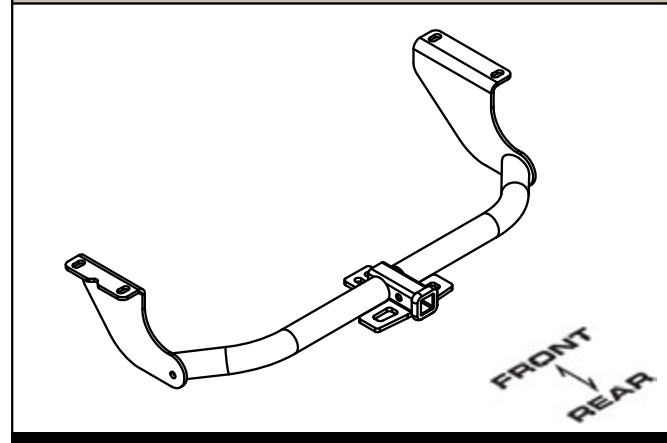
<b>EASY</b>	<b>MODERATE</b>	<b>CHALLENGING</b>
	- FISHWIRE HARDWARE	
	- HOLE ENLARGEMENT	

**VEHICLE PHOTO:**



REPRESENTATIVE PHOTO

**TRAILER HITCH ILLUSTRATION:**

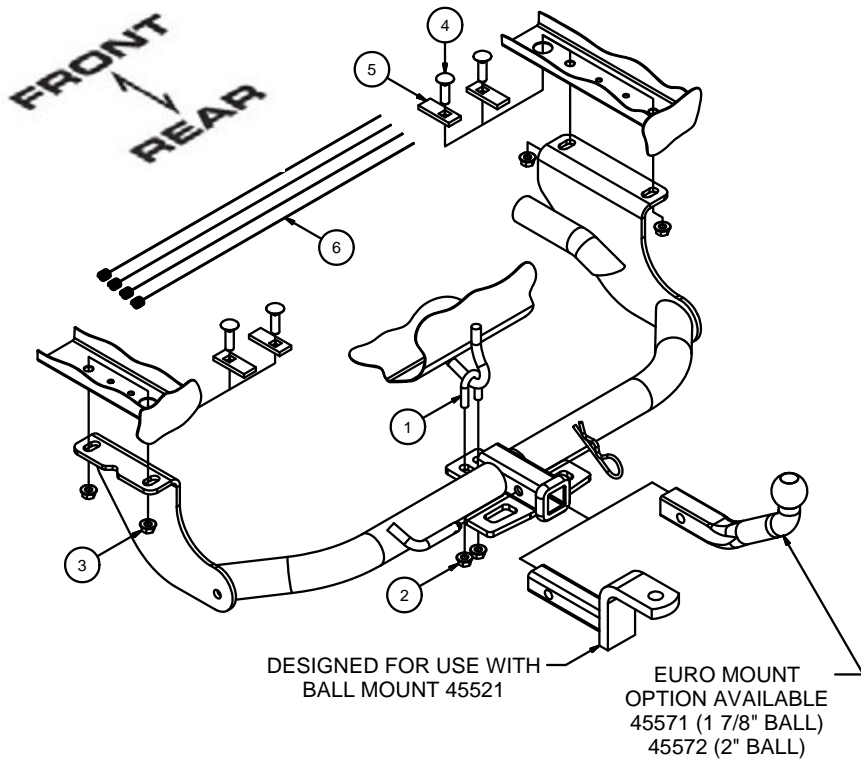


MAKE SURE YOUR HITCH MATCHES

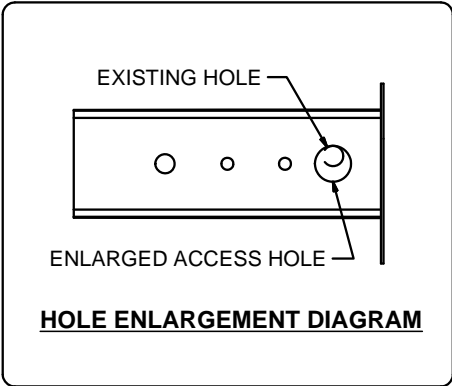
**PERIODICALLY CHECK THIS RECEIVER HITCH TO ENSURE ALL FASTENERS ARE TIGHT AND ALL STRUCTURAL COMPONENTS ARE SOUND**  
 CURT Manufacturing LLC. warrants this product to be free of defects in material and/or workmanship at the time of retail purchase by the original purchaser. If the product is found to be defective, CURT Manufacturing LLC. may repair or replace the product at their option, when the product is returned, prepaid, with proof of purchase. Alteration to, misuse of, or improper installation of this product voids the warranty. CURT Manufacturing LLC.'s liability is limited to repair or replacement of products found to be defective, and specifically excludes liability for incidental or consequential loss or damage.

# INSTALLATION WALKTHROUGH:

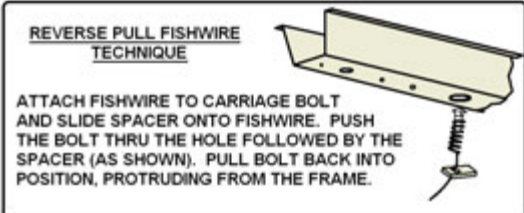
Parts List			
ITEM	QTY	PART NUMBER	DESCRIPTION
1	1	3_8 - 16 x 1.00 x 1.88	U-BOLT
2	2	HFN3816	HEX FLANGE NUT
3	4	7/16-14	HEX FLANGE NUT
4	4	7/16-14 x 1 1/2	CARRIAGE BOLT
5	4	CM-SP2	.250 x .88 x 2.25" SQUARE HOLE SPACER
6	4	7_16 FISHWIRE	7/16" FISHWIRE



1. Enlarge the existing hole on the driver side to allow 7/16" carriage bolts and SP2 spacers to pass through. See Hole Enlargement Diagram.

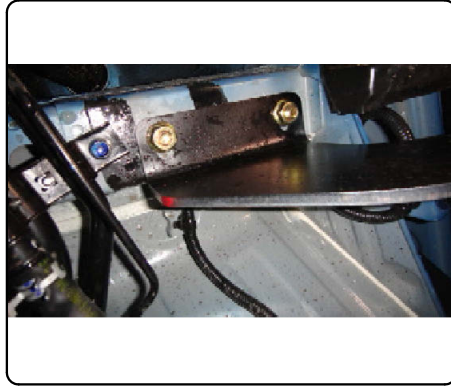


2. On the driver side, fishwire a 7/16" carriage bolt and SP2 spacer through the enlarged access hole and out the forward most mounting hole. Reverse fishwire a 7/16" carriage bolt and SP2 spacer in the enlarged access hole. On the passenger side, fishwire 7/16" carriage bolts and SP2 spacers through the existing access hole and out the mounting holes. See Fishwire Technique Diagrams.



## INSTALLATION WALKTHROUGH:

3. Insert the 3/8" U-bolt through the tow hook. Raise hitch into position and secure to the frame rails using 7/16" flange nuts. Secure hitch to the 3/8" U-bolt using 3/8" flange nuts. **Note:** When raising the hitch into position be careful not to push the carriage bolts back into the frame.



4. Torque all 7/16" hardware to 70 ft-lbs.  
Torque all 3/8" hardware to 45 ft-lbs.



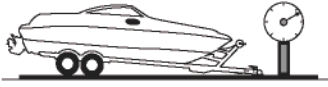
INSTALLATION COMPLETE



## TOWING SAFETY INFORMATION

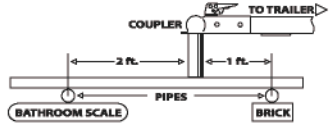
### Gross Trailer Weight / GTW

The Gross Trailer Weight is the weight of the trailer & cargo. Measure this by putting the fully loaded trailer on a vehicle scale.



### Tongue Weight / TW

The downward force that is exerted on the hitch ball by the coupler. The tongue weight will vary depending on where the load is positioned in relationship to the trailer axle(s). To measure the tongue weight, use either a commercial scale or a bathroom scale with the coupler at towing height. When using a bathroom scale with heavier tongue weights, use the method shown and multiply the scale reading by 3.



### Weight Carrying / WC

The total weight of both the trailer and the cargo inside. Never exceed the weight capacity of your trailer hitch.

### Weight Distribution / WD

Used to balance the weight of the cargo between the front and rear wheels throughout the trailer, allowing for better steering, braking, and level riding.



### Sway Control

A device used to reduce the lateral movements of the trailer that are caused by the wind. This works in conjunction with a weight distribution hitch. Do not use this on a class 1 or 2 hitch, or with surge brakes.

### How Much Can You Safely Tow?

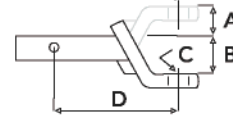
TONGUE WEIGHT lbs	1000	2000	3000	4000	5000	6000	7000	8000	10,000	12,000
Tongue weight should be about 10 to 15 percent of the gross trailer weight.										
CLASS 1										
CLASS 2										
CLASS 3										
CLASS 4										
CLASS 5										
TRAILER TYPE										
<b>Camper</b>	11'	12'	13'	14'	15'	16'				
lbs	1100	1200	1300	1400	1500	1600				
<b>Vacation</b>	14'	16'	18'	20'	22'	24'	26'	28'	30'	32'
lbs	2100	2400	2700	3000	3300	3600	3900	4200	4500	4800
<b>Vacation</b>	14'	16'	18'	20'	22'	24'	26'	28'	30'	32'
lbs	2800	3200	3600	4000	4400	4800	5200	5600	6000	6400
<b>5th Wheel</b>										

Refer to owner's manual for towing capabilities and limitations.

### Ball Mount

The ball mount is placed inside the opening of the receiver hitch which is mounted to the vehicle. Make sure a hitch pin and clip is properly securing the ball mount to the receiver hitch before you begin towing.

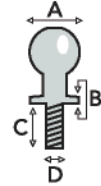
- A: Rise. B: Drop. C: Hole Size. D: Length.



### Trailer Ball

The connection from the hitch to the trailer. There are many factors that determine the correct hitch ball:

- Number one is the hitch ball's gross trailer weight rating.
- The mounting platform must be at least 3/8" thick.
- The hole diameter must not be more than 1/16" larger than the threaded shank.
- Every time you tow, check the nut and lock washer to make sure they are fastened securely.
- A: Ball Dia. B: Shank Dia. C: Shank Length. D: Shank Rise.



### Coupler

The component that is placed over the trailer ball to connect the vehicle to the trailer. Be sure that the coupler size matches the size of the hitch ball and that the coupler handle is securely fastened. To determine what size hitch ball you need for your application you will need to know the size of coupler that is on the trailer. Be sure your coupler is properly adjusted to the ball you are using.

NOTE: For added security the use of safety devices such as Coupler Safety Pins and Locks is strongly recommended.

### Safety Chains

Safety chains are a requirement and should be crossed under the tongue of the trailer so that the tongue will not drop to the road if it becomes separated from the hitch. Always leave enough slack so you can turn. Never allow the safety chains to drag on the ground and never attach the chains to the bumper.

Trailer Classification: Safety Chain Breaking Force - Minimum

- Class 1: 2,000 lbs. (8.9 kN)
- Class 2: 3,500 lbs. (15.6 kN)
- Class 3: 5,000 lbs. (22.2 kN)

The strength rating of each length of safety chain or its equivalent and its attachments shall be equal to or exceed in minimum breaking force the GVWR (Gross Vehicle Weight Rating) of the trailer.

### Electrical

Trailer lights, Electric Brakes, Break-away systems - Every time you tow, be sure to check that all components are working properly.

Wiring identification by color:



11394

MITSUBISHI MIRAGE

3/27/2014

GROSS LOAD CAPACITY WHEN USED AS A WEIGHT CARRYING HITCH: 1,500 LBS. TRAILER WEIGHT & 200 LBS. TONGUE WEIGHT.

\*\*\*DO NOT EXCEED VEHICLE MANUFACTURER'S RECOMMENDED TOWING CAPACITY.\*\*\*

WARNING: ALL NON-TRAILER LOADS APPLIED TO THIS PRODUCT MUST BE SUPPORTED BY 18050 STABILIZING STRAPS.

\*\* FAILURE TO PROPERLY SUPPORT NON-TRAILER LOADS WILL VOID PRODUCT WARRANTY\*\*

Parts List				
ITEM	QTY	PART NUMBER	DESCRIPTION	
1	1	3_8 - 16 x 1.00 x 1.88	U-BOLT	
2	2	HFN3816	HEX FLANGE NUT	
3	4	7/16-14	HEX FLANGE NUT	
4	4	7/16-14 x 1 1/2	CARRIAGE BOLT	
5	4	CM-SP2	.250 x .88 x 2.25" SQUARE HOLE SPACER	
6	4	7_16 FISHWIRE	7/16" FISHWIRE	

**REVERSE PULL FISHWIRE TECHNIQUE**

ATTACH FISHWIRE TO CARRIAGE BOLT AND SLIDE SPACER ONTO FISHWIRE. PUSH THE BOLT THRU THE HOLE FOLLOWED BY THE SPACER (AS SHOWN). PULL BOLT BACK INTO POSITION, PROTRUDING FROM THE FRAME.

**FISHWIRE TECHNIQUE**

INSERT COILED END OF FISHWIRE TOOL THROUGH HITCH MOUNTING HOLE IN VEHICLE FRAME RAIL AND OUT THE ACCESS HOLE. PASS COILED END OF FISHWIRE THROUGH SPACER AND THREAD BOLT INTO COIL. KINK WIRE TO KEEP SPACER SEPARATE FROM BOLT AS SHOWN. PULL FISHWIRE, SPACER, AND BOLT THROUGH FRAME AND OUT MOUNTING HOLE. USE FISHWIRE TO GUIDE HITCH DURING MOUNTING AND PREVENT LOSS OF BOLT / SPACER INSIDE FRAME RAIL.

\*NOTE: SOME VEHICLES MAY FISHWIRE THROUGH END OF FRAME\*

**TOOLS REQUIRED**

RATCHET
TORQUE WRENCH
6" EXTENSION
DIE GRINDER
9/16" SOCKET
11/16" SOCKET
SAFETY GLASSES

HITCH WEIGHT: 23 LBS.

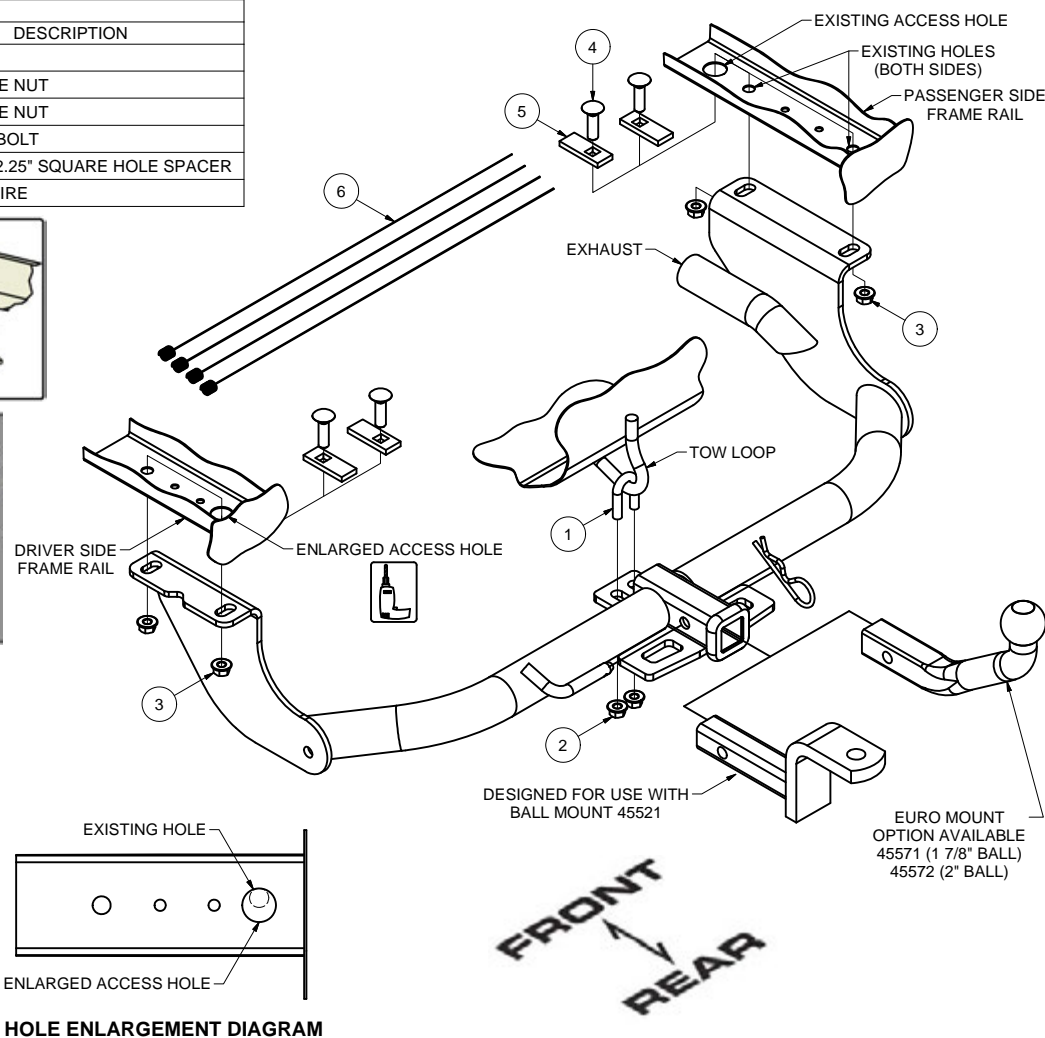
**INSTALL TIME**

PROFESSIONAL: 20 MINUTES

NOVICE (DIY): 40 MINUTES

**INSTALL NOTES:**

- HOLE ENLARGEMENT
- FISHWIRE HARDWARE



**INSTALLATION STEPS**

1. Enlarge the existing hole on the driver side to allow 7/16" carriage bolts and SP2 spacers to pass through. See Hole Enlargement Diagram.
2. On the driver side, fishwire a 7/16" carriage bolt and SP2 spacer through the enlarged access hole and out the forward most mounting hole. Reverse fishwire a 7/16" carriage bolt and SP2 spacer in the enlarged access hole. See Fishwire Technique Diagrams.
3. On the passenger side, fishwire 7/16" carriage bolts and SP2 spacers through the existing access hole and out the mounting holes.
4. Insert the 3/8" U-bolt through the tow hook, as shown.
5. Raise hitch into position and secure to the frame rails using 7/16" flange nuts. Secure hitch to the 3/8" U-bolt using 3/8" flange nuts. **Note:** When raising the hitch into position take care not to push the carriage bolts back into the frame.
6. Torque all 7/16" hardware to 70 ft-lbs. Torque all 3/8" hardware to 45 ft-lbs.

PERIODICALLY CHECK THIS RECEIVER HITCH TO ENSURE THAT ALL FASTENERS ARE TIGHT AND THAT ALL STRUCTURAL COMPONENTS ARE SOUND.

CURT Manufacturing LLC., warrants this product to be free of defects in material and/or workmanship at the time of retail purchase by the original purchaser. If the product is found to be defective, CURT Manufacturing LLC., may repair or replace the product, at their option, when the product is returned, prepaid, with proof of purchase. Alteration to, misuse of, or improper installation of this product voids the warranty. CURT Manufacturing LLC.'s liability is limited to repair or replacement of products found to be defective, and specifically excludes liability for incidental or consequential loss or damage.