

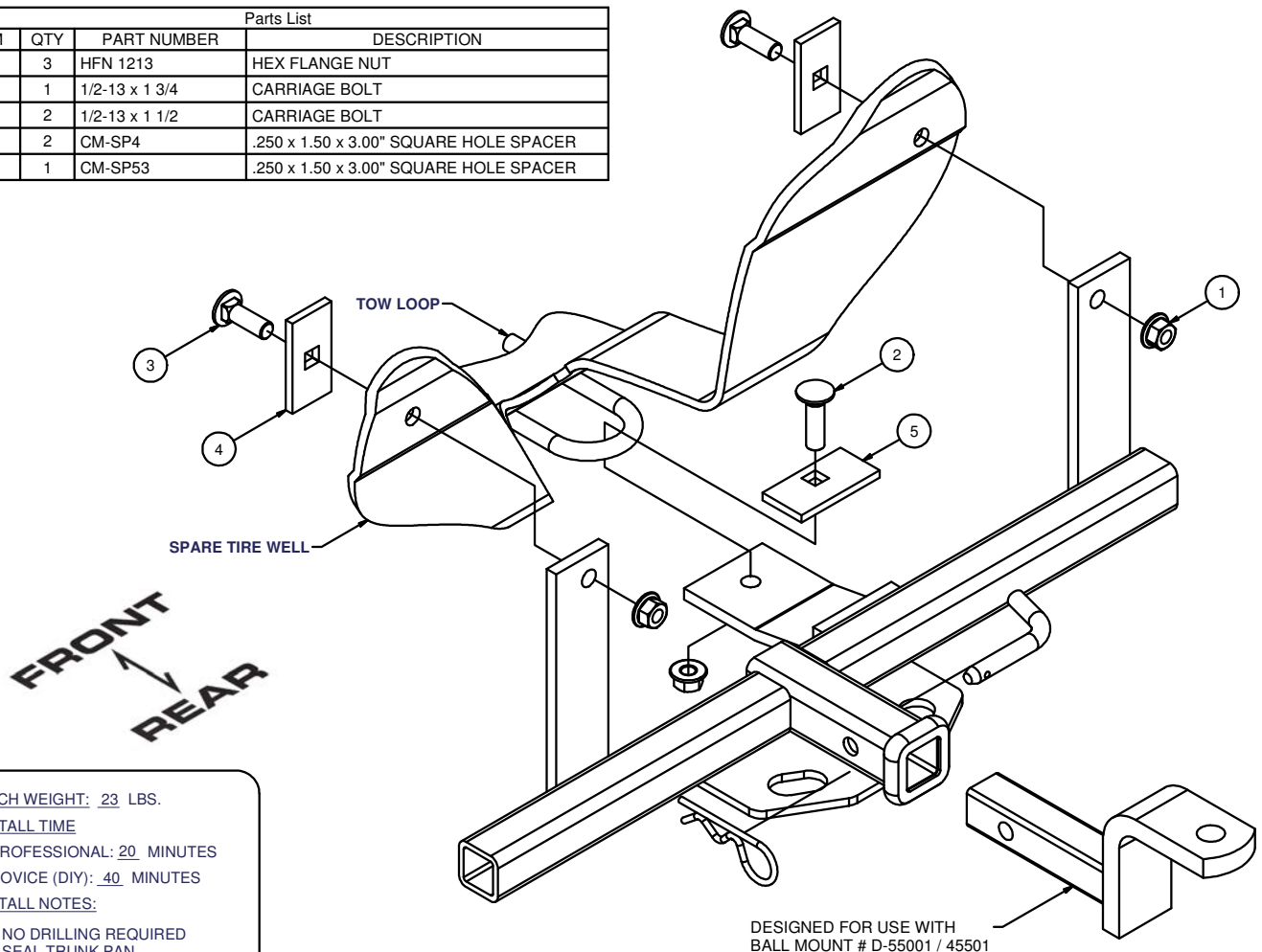
11331**CHEVROLET AVEO SEDAN**

10/8/2012

GROSS LOAD CAPACITY WHEN USED AS A WEIGHT CARRYING HITCH: 1,000 LBS. TRAILER WEIGHT & 100 LBS. TONGUE WEIGHT.

*****DO NOT EXCEED VEHICLE MANUFACTURER'S RECOMMENDED TOWING CAPACITY.*******WARNING: ALL NON-TRAILER LOADS APPLIED TO THIS PRODUCT MUST BE SUPPORTED BY AUXILIARY STABILIZING STRAPS.****** FAILURE TO PROPERLY SUPPORT NON-TRAILER LOADS WILL VOID PRODUCT WARRANTY****

Parts List			
ITEM	QTY	PART NUMBER	DESCRIPTION
1	3	HFN 1213	HEX FLANGE NUT
2	1	1/2-13 x 1 3/4	CARRIAGE BOLT
3	2	1/2-13 x 1 1/2	CARRIAGE BOLT
4	2	CM-SP4	.250 x 1.50 x 3.00" SQUARE HOLE SPACER
5	1	CM-SP53	.250 x 1.50 x 3.00" SQUARE HOLE SPACER



HITCH WEIGHT: 23 LBS.

INSTALL TIME

PROFESSIONAL: 20 MINUTES

NOVICE (DIY): 40 MINUTES

INSTALL NOTES:

- NO DRILLING REQUIRED
- SEAL TRUNK PAN

INSTALLATION STEPS

- 1) Remove trunk insert.
- 2) Remove (2) trunk body plugs.
- 3) Place 1 3/4" carriage bolt into large square hole spacer.
- 4) Fit carriage bolt and spacer into tow loop (as shown).
- 5) Lift hitch into position and fasten to tow loop using 1/2" flange nut.
- 6) Push carriage bolts into spacer and through the trunk pan. Fasten hitch to bolts with flange nuts.
- 7) Torque all 1/2" fasteners to 110 lb-ft.
- 8) Seal trunk, using silicone caulk around interior flange nuts.

PERIODICALLY CHECK THIS RECEIVER HITCH TO ENSURE THAT ALL FASTENERS ARE TIGHT AND THAT ALL STRUCTURAL COMPONENTS ARE SOUND.

**CURT**The **FIRST** Name
in Towing Products™

Trailer Hitches