

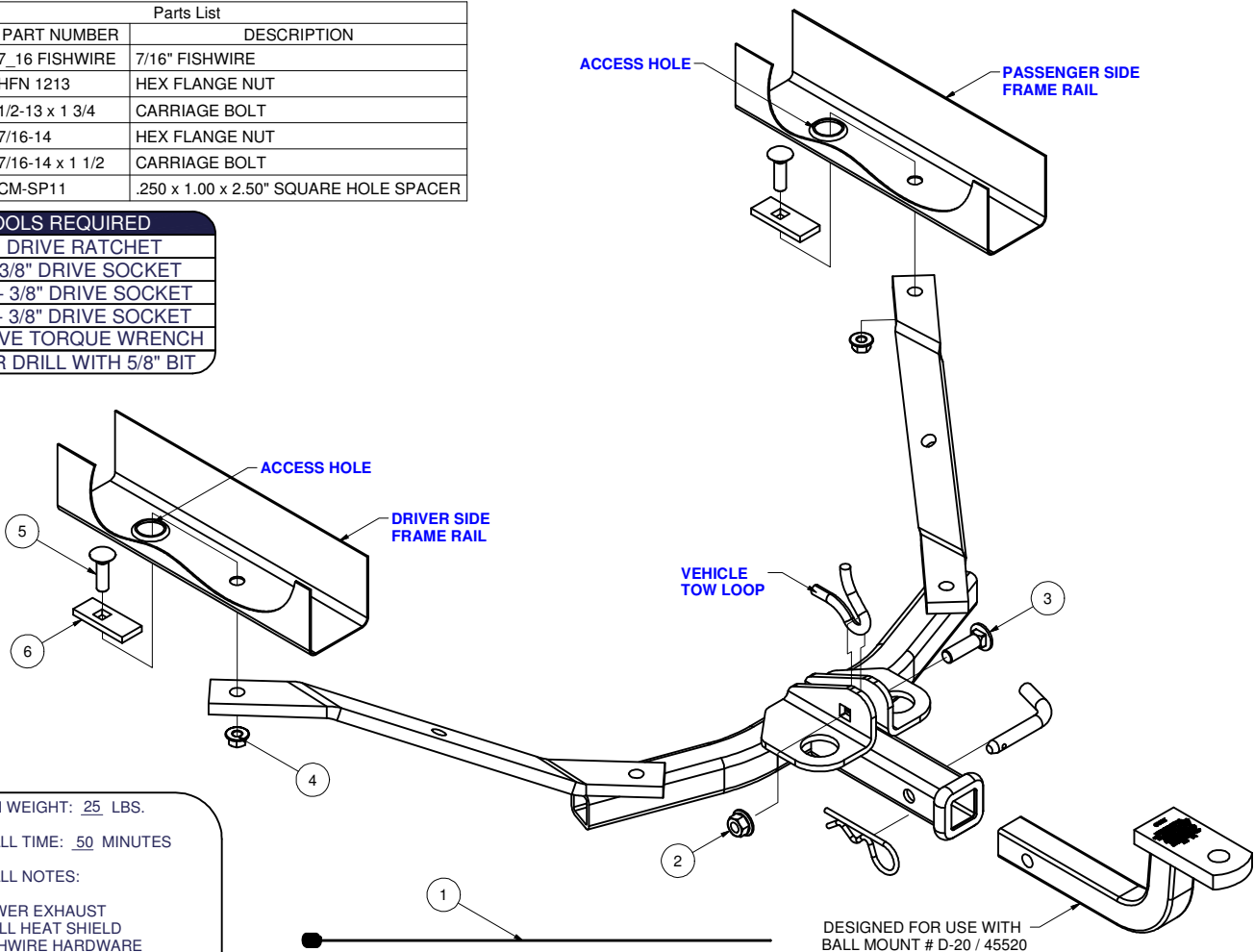
11327 2003 - 2007 HONDA ACCORD (SEDAN, COUPE, HYBRID)

9/24/2012

GROSS LOAD CAPACITY WHEN USED AS A WEIGHT CARRYING HITCH: 2,000 LBS. TRAILER WEIGHT & 200 LBS. TONGUE WEIGHT.
DO NOT EXCEED VEHICLE MANUFACTURER'S RECOMMENDED TOWING CAPACITY.

| Parts List | | | |
|------------|-----|-----------------|--|
| ITEM | QTY | PART NUMBER | DESCRIPTION |
| 1 | 1 | 7_16 FISHWIRE | 7/16" FISHWIRE |
| 2 | 1 | HFN 1213 | HEX FLANGE NUT |
| 3 | 1 | 1/2-13 x 1 3/4 | CARRIAGE BOLT |
| 4 | 2 | 7/16-14 | HEX FLANGE NUT |
| 5 | 2 | 7/16-14 x 1 1/2 | CARRIAGE BOLT |
| 6 | 2 | CM-SP11 | .250 x 1.00 x 2.50" SQUARE HOLE SPACER |

| TOOLS REQUIRED | |
|----------------------------|--|
| 3/8" DRIVE RATCHET | |
| 3/4" - 3/8" DRIVE SOCKET | |
| 11/16" - 3/8" DRIVE SOCKET | |
| 10mm - 3/8" DRIVE SOCKET | |
| 3/8" DRIVE TORQUE WRENCH | |
| POWER DRILL WITH 5/8" BIT | |



HITCH WEIGHT: 25 LBS.

INSTALL TIME: 50 MINUTES

INSTALL NOTES:

- LOWER EXHAUST
- DRILL HEAT SHIELD
- FISHWIRE HARDWARE

INSTALLATION STEPS

- 1) Lower exhaust. Be careful not to allow mufflers to fall under their own weight.
- 2) Mark and drill a 5/8" hole in **heat shield(s)** 4 1/2" back from the forward most hole on the frame rail. (**NOTE:** Mark holes then hold hitch in position to check before drilling). Remove heat shields to drill hole.
- 3) Use supplied fishwire and "pull" the 7/16" carriage bolts and spacers through the access hole and into the existing hole in frame. Repeat for other side.
- 4) Re-install heat shields once the bolts are in position.
- 5) Raise hitch into position over vehicle tow loop and secure with 1/2" carriage bolt and flange nut as shown, finger tighten. (**NOTE:** Support hitch so receiver tube does not rotate and hit the bumper fascia.)
- 6) Rotate hitch straps to the frame rails, being careful not to push the bolt assemblies back into the frame and secure with 7/16" flange nuts.
- 7) Torque all 7/16" fasteners to 70 lb-ft and all 1/2" fasteners to 110 lb-ft.
- 8) Raise exhaust back into position and re-install rubber isolators.

PERIODICALLY CHECK THIS RECEIVER HITCH TO ENSURE THAT ALL FASTENERS ARE TIGHT AND THAT ALL STRUCTURAL COMPONENTS ARE SOUND.



The **FIRST** Name
in Towing Products™

[Trailer Hitches](#)