

11317

SUBARU IMPREZA SEDAN & WRX

WITH DUAL EXHAUST

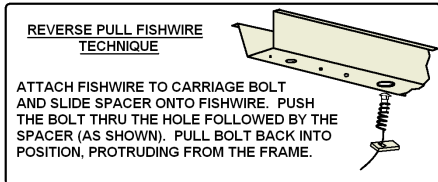
GROSS LOAD CAPACITY WHEN USED AS A WEIGHT CARRYING HITCH: 2,000 LBS. TRAILER WEIGHT & 200 LBS. TONGUE WEIGHT.

DO NOT EXCEED VEHICLE MANUFACTURER'S RECOMMENDED TOWING CAPACITY.

WARNING: ALL NON-TRAILER LOADS APPLIED TO THIS PRODUCT MUST BE SUPPORTED BY 18050 STABILIZING STRAPS.

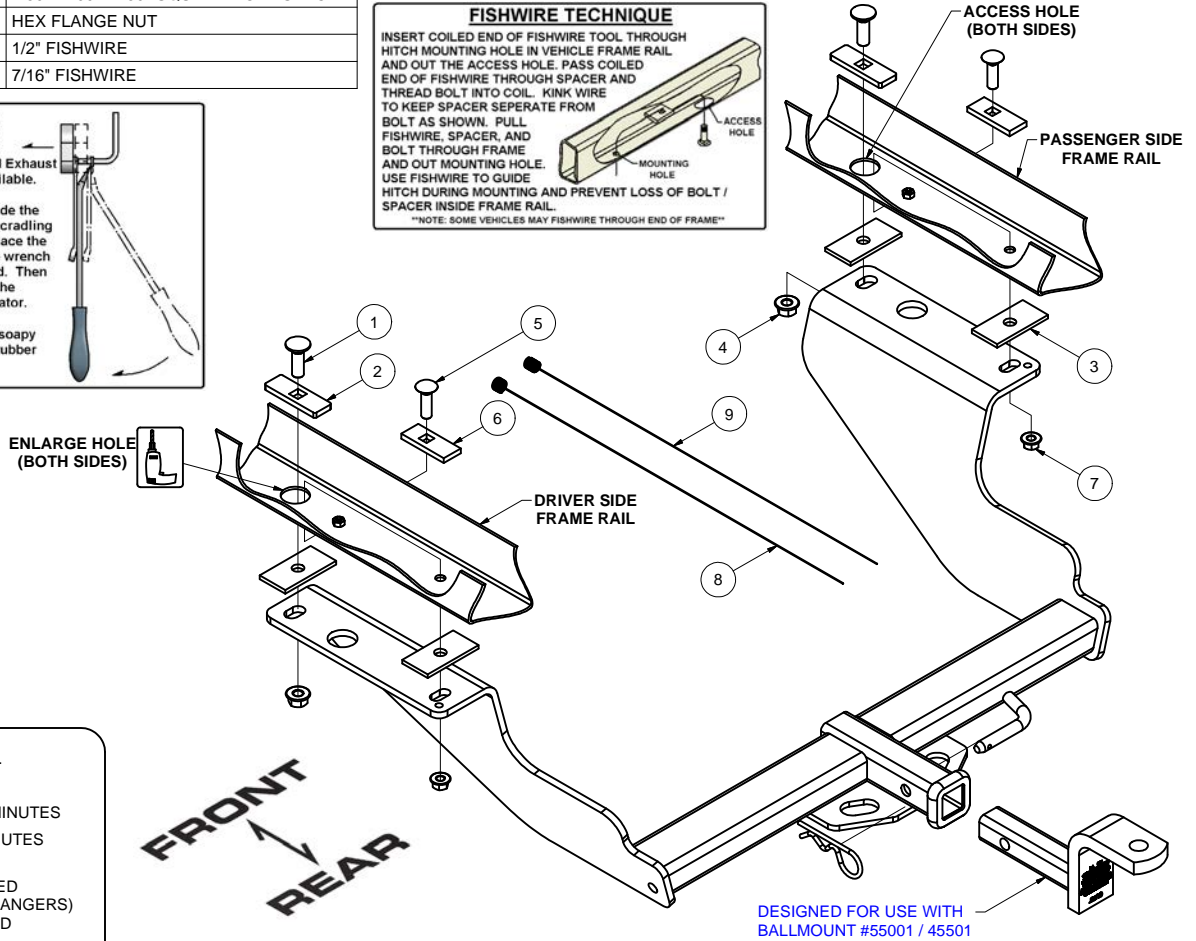
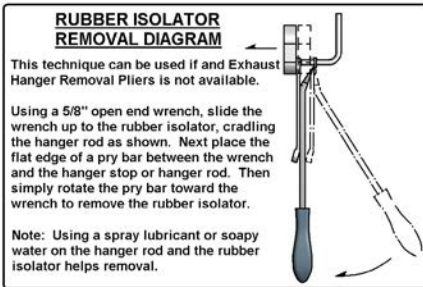
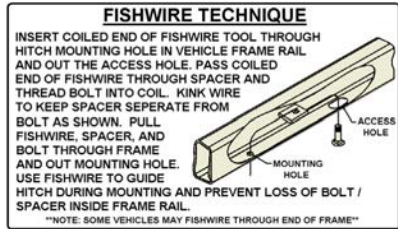
** FAILURE TO PROPERLY SUPPORT NON-TRAILER LOADS WILL VOID PRODUCT WARRANTY**

Parts List				
ITEM	QTY	PART NUMBER	DESCRIPTION	
1	2	1/2-13 x 1 1/2	CARRIAGE BOLT	
2	2	CM-SP6	.250 x 1.00 x 3.00" SQUARE HOLE SPACER	
3	4	CM-SP34	.188 x 1.50 x 3.00" ROUND HOLE SPACER	
4	2	HFN 1213	HEX FLANGE NUT	
5	2	7/16-14 x 1 1/2	CARRIAGE BOLT	
6	2	CM-SP11	.250 x 1.00 x 2.50" SQUARE HOLE SPACER	
7	2	7/16-14	HEX FLANGE NUT	
8	1	1_2 FISHWIRE	1/2" FISHWIRE	
9	1	7_16 FISHWIRE	7/16" FISHWIRE	



TOOLS REQUIRED

11/16" SOCKET
3/4" SOCKET
RATCHET
TORQUE WRENCH



HITCH WEIGHT: 40 LBS.
INSTALL TIME
 PROFESSIONAL: 25 MINUTES
 NOVICE (DIY): 50 MINUTES
INSTALL NOTES:
 - NO DRILLING REQUIRED
 - LOWER EXHAUST (5 HANGERS)
 - FISHWIRING REQUIRED
 - ENLARGE HOLE

INSTALLATION STEPS

- 1) Lower exhaust by removing (5) rear rubber isolators. See RUBBER ISOLATOR REMOVAL DIAGRAM.
- 2) Remove (4) rubber plugs from frame (1 large and 1 small, from each frame rail). Enlarge the access hole on both sides to allow the 1/2" fasteners to pass into the frame rail.
- 3) Fishwire the 7/16" hardware through the access hole into position on both sides, as shown above.
- 4) Once the 7/16" hardware is in place, reverse fishwire the 1/2" fasteners into position, as shown above.
- 5) Raise hitch into position. **Note:** The heat shield will be sandwiched between the hitch and vehicle frame rails.
- 6) Torque all 7/16" fasteners to 70 lb-ft, and all 1/2" fasteners to 110 lb-ft.
- 7) Re-install the exhaust onto the vehicle.

PERIODICALLY CHECK THIS RECEIVER HITCH TO ENSURE THAT ALL FASTENERS ARE TIGHT AND THAT ALL STRUCTURAL COMPONENTS ARE SOUND.



The **FIRST** Name in Towing Products™

Trailer Hitches