

11315 SUBARU IMPREZA WAGON, WRX WAGON, OUTBACK SPORT WAGON

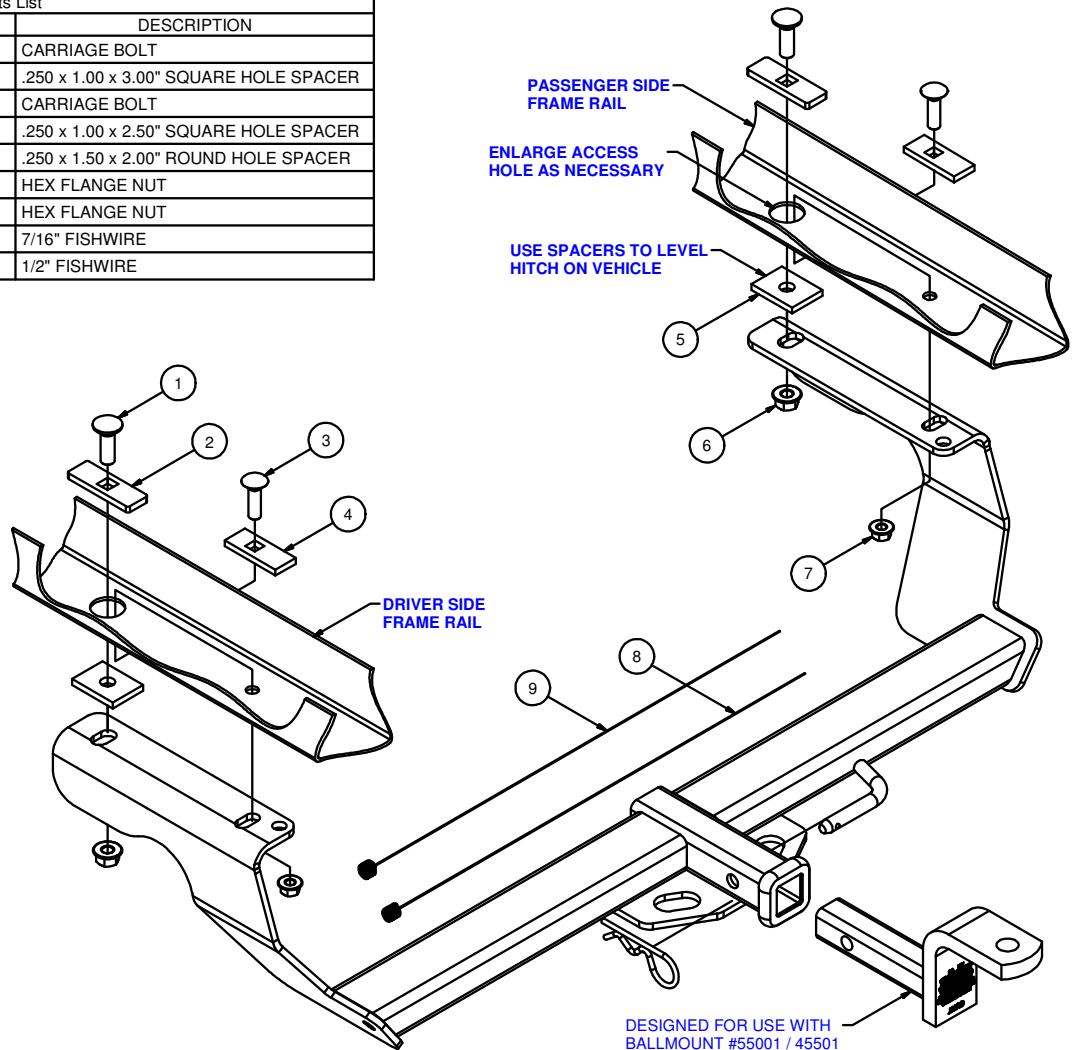
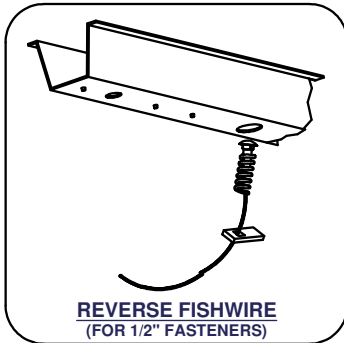
9/24/2012

SINGLE EXHAUST

GROSS LOAD CAPACITY WHEN USED AS A WEIGHT CARRYING HITCH: 2,000 LBS. TRAILER WEIGHT & 200 LBS. TONGUE WEIGHT.
*****DO NOT EXCEED VEHICLE MANUFACTURER'S RECOMMENDED TOWING CAPACITY.*****

Parts List			
ITEM	QTY	PART NUMBER	DESCRIPTION
1	2	1/2-13 x 1 1/2	CARRIAGE BOLT
2	2	CM-SP6	.250 x 1.00 x 3.00" SQUARE HOLE SPACER
3	2	7/16-14 x 1 1/2	CARRIAGE BOLT
4	2	CM-SP11	.250 x 1.00 x 2.50" SQUARE HOLE SPACER
5	2	CM-SP16	.250 x 1.50 x 2.00" ROUND HOLE SPACER
6	2	HFN 1213	HEX FLANGE NUT
7	2	7/16-14	HEX FLANGE NUT
8	1	7_16 FISHWIRE	7/16" FISHWIRE
9	1	1_2 FISHWIRE	1/2" FISHWIRE

- TOOLS REQUIRED**
- 3/8" DRIVE RATCHET
 - 11/16" - 3/8" DRIVE SOCKET
 - 3/4" - 3/8" DRIVE SOCKET
 - DIE GRINDER W/ RASP BIT
 - 3/8" DRIVE TORQUE WRENCH



- HITCH WEIGHT: 30 LBS.
 INSTALL TIME: 30 MINUTES
 INSTALL NOTES:
 - MAY REQUIRE HOLE ENLARGEMENT
 - LOWER EXHAUST
 - NO DRILLING REQUIRED

INSTALLATION STEPS

- 1) Lower exhaust with by unhooking (4) rear exhaust hangers. Remove the (4) plugs in the frame rails and discard.
- 2) Fishwire 7/16" carriage bolts and spacers into position first and reverse fishwire the 1/2" carriage bolts and spacers into position afterward. (enlarge access hole as necessary)
- 3) Raise hitch and exhaust up simultaneously to the frame aligning the holes in the hitch with the bolts. Use 1.50" x 2.00" spacers to level hitch as necessary.

NOTE: Be careful not to push the bolts in the frame.

- 4) Install remaining supplied hardware as shown above.
- 5) Torque all 7/16" fasteners to 70 lb-ft, and all 1/2" fasteners to 110 lb-ft.

PERIODICALLY CHECK THIS RECEIVER HITCH TO ENSURE THAT ALL FASTENERS ARE TIGHT AND THAT ALL STRUCTURAL COMPONENTS ARE SOUND.