

YEARS: 2012-PRESENT

MAKE: SCION

MODEL: iQ

STYLE: COMPACT

WARNING: NEVER EXCEED YOUR VEHICLE MANUFACTURER'S RECOMMENDED TOWING CAPACITY

WEIGHT CARRYING:
 TRAILER WEIGHT: 1,000 LBS.
 TONGUE WEIGHT: 150 LBS.

INSTALLATION TIME: 20 MIN.

THE INSTALL TIME LISTED IS FOR PROFESSIONAL INSTALLERS. IF YOU ARE HESITANT TO UNDERTAKE THIS TASK ON YOUR OWN, CONTACT AN AUTHORIZED CURT INSTALLER FOR ADDITIONAL ASSISTANCE.


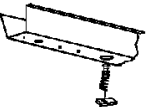
INSTALLATION REQUIRES:

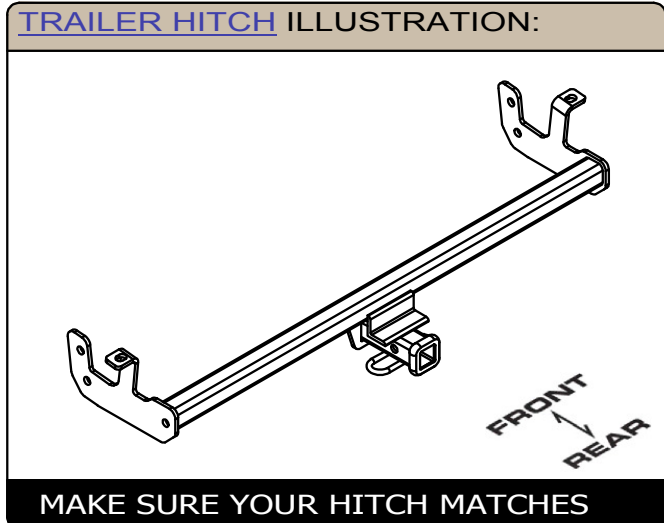
| | | |
|--|--|---|
|  RATCHET |  TORQUE WRENCH |  6" SOCKET EXTENSION |
|  DIE GRINDER |  9/16" 11/16" SOCKET |  SAFETY GLASSES |
| | | |
| | | |

INSTALLATION TIPS:

- BEFORE YOU BEGIN INSTALLATION, READ ALL INSTRUCTIONS THOROUGHLY.
- TO EASE INSTALLATION, 2 PEOPLE MAY BE REQUIRED.
- USING PROPER TOOLS WILL GREATLY IMPROVE THE QUALITY OF THE INSTALL AND REDUCE THE TIME REQUIRED.

LEVEL OF DIFFICULTY: MODERATE

| EASY | MODERATE | CHALLENGING |
|--|---------------------|-------------|
|  | - HOLE ENLARGEMENT | |
|  | - FISHWIRE HARDWARE | |
| | | |
| | | |

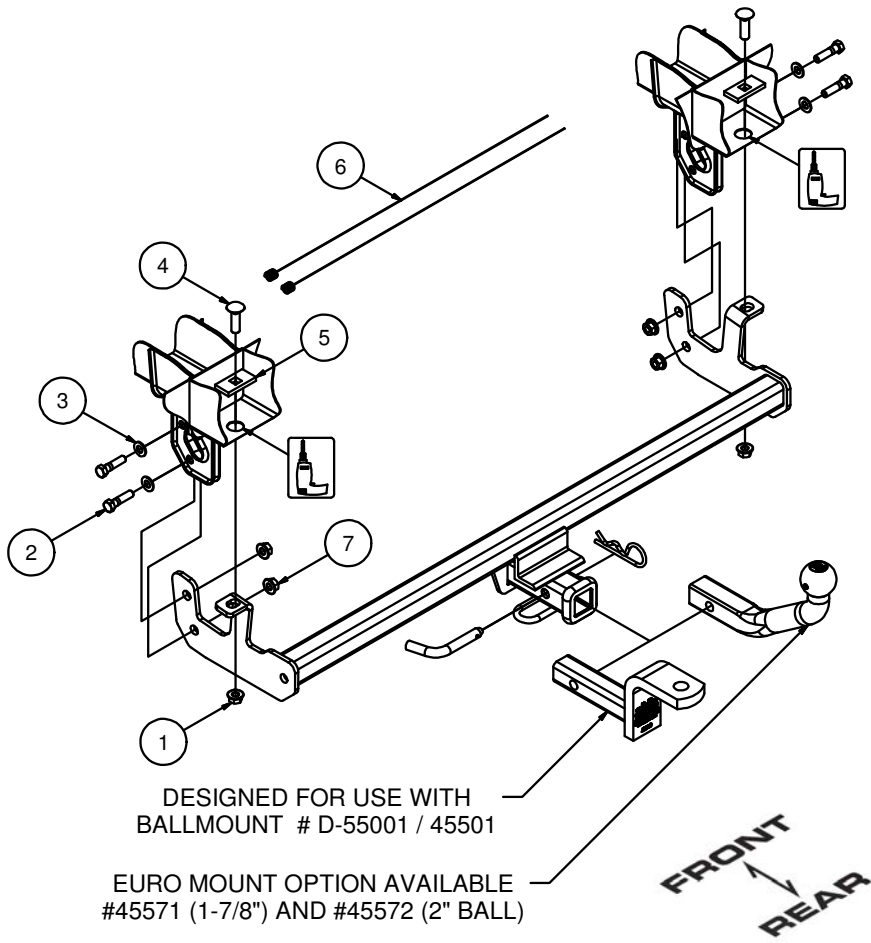


PERIODICALLY CHECK THIS RECEIVER HITCH TO ENSURE ALL FASTENERS ARE TIGHT AND ALL STRUCTURAL COMPONENTS ARE SOUND

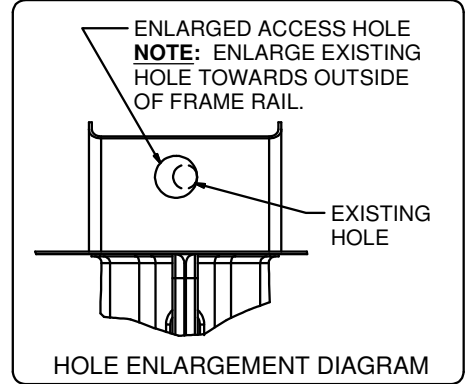
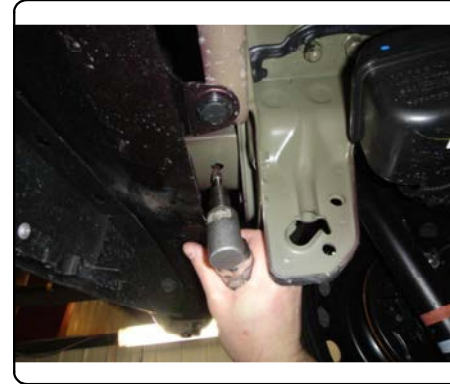
CURT Manufacturing LLC. warrants this product to be free of defects in material and/or workmanship at the time of retail purchase by the original purchaser. If the product is found to be defective, Curt Manufacturing LLC. may repair or replace the product at their option, when the product is returned, prepaid, with proof of purchase. Alteration to, misuse of, or improper installation of this product voids the warranty. Curt Manufacturing LLC.'s liability is limited to repair or replacement of products found to be defective, and specifically excludes liability for incidental or consequential loss or damage.

INSTALLATION WALKTHROUGH:

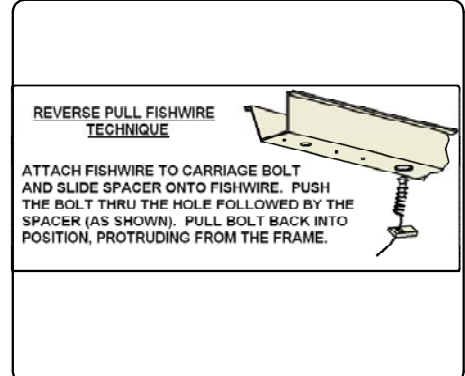
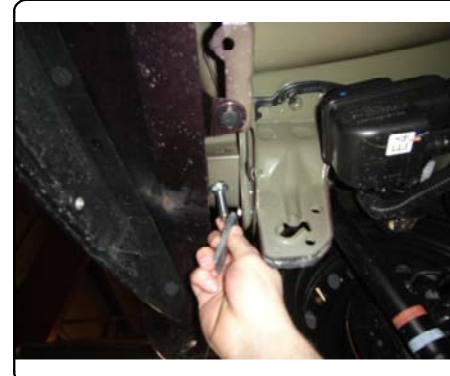
| Parts List | | | |
|------------|-----|-----------------|--|
| ITEM | QTY | PART NUMBER | DESCRIPTION |
| 1 | 2 | 7/16-14 | HEX FLANGE NUT |
| 2 | 4 | 3/8-16 X 1 1/2 | HEX BOLT |
| 3 | 4 | 3/8" | WASHER |
| 4 | 2 | 7/16-14 x 1 1/2 | CARRIAGE BOLT |
| 5 | 2 | CM-SP7 | .250 x 1.00 x 2.00" SQUARE HOLE SPACER |
| 6 | 2 | 7_16 FISHWIRE | 7/16" FISHWIRE |
| 7 | 4 | HFN3816 | HEX FLANGE NUT |



1. Enlarge existing hole to allow 7/16" carriage bolts and SP7 spacers to pass through, both sides.

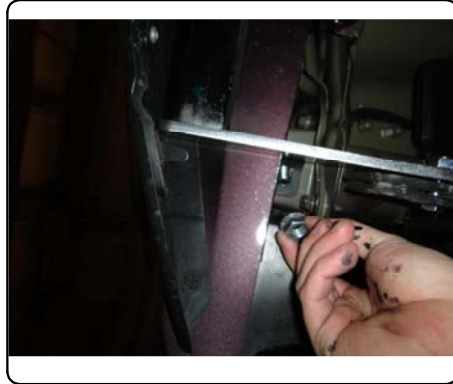


2. Reverse fishwire 7/16" carriage bolts and SP7 spacers through enlarged access holes, both sides.

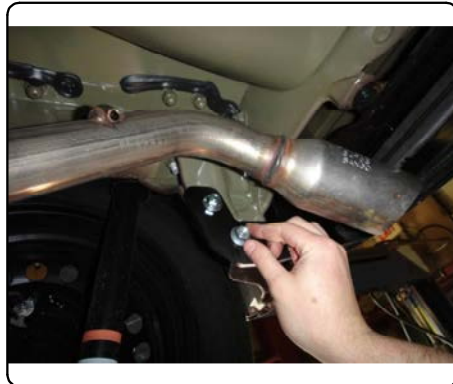
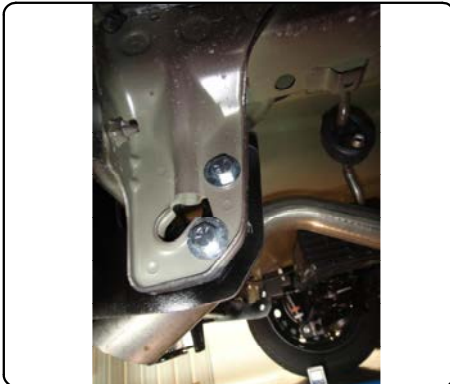


INSTALLATION WALKTHROUGH:

3. Raise hitch into position and loosely secure to carriage bolts using 7/16" hex flange nuts. **Note:** The side plates will slide between the inside of the tow loops.



4. Align holes in side plates with holes in tow loops and secure using 3/8" hex bolts, 3/8" washers and 3/8" hex flange nuts, as shown.



5. Torque all 7/16" hardware to 70 ft-lbs.
Torque all 3/8" hardware to 45 ft-lbs.



11291

SCION iQ

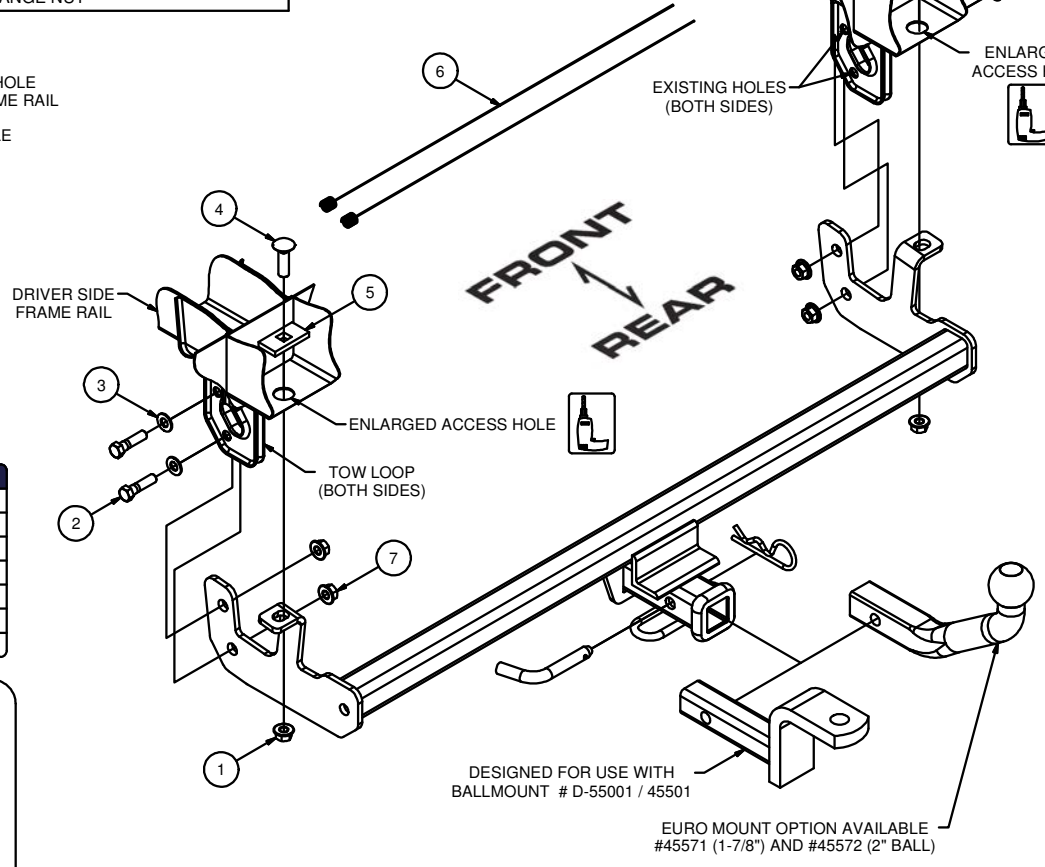
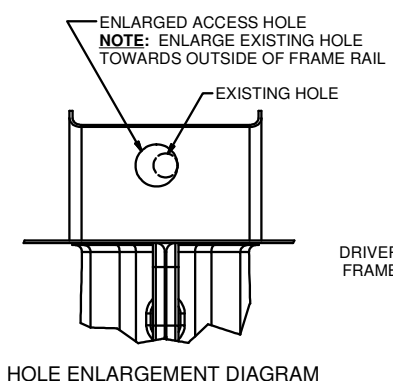
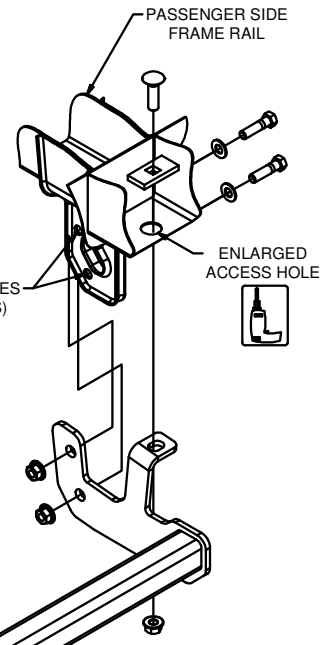
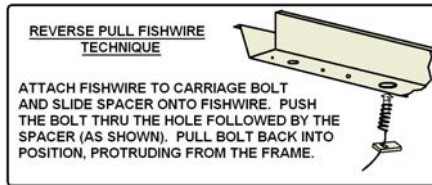
GROSS LOAD CAPACITY WHEN USED AS A WEIGHT CARRYING HITCH: 1,000 LBS. TRAILER WEIGHT & 150 LBS. TONGUE WEIGHT.

DO NOT EXCEED VEHICLE MANUFACTURER'S RECOMMENDED TOWING CAPACITY.

WARNING: ALL NON-TRAILER LOADS APPLIED TO THIS PRODUCT MUST BE SUPPORTED BY 18050 STABILIZING STRAPS.

** FAILURE TO PROPERLY SUPPORT NON-TRAILER LOADS WILL VOID PRODUCT WARRANTY**

| Parts List | | | |
|------------|-----|-----------------|--|
| ITEM | QTY | PART NUMBER | DESCRIPTION |
| 1 | 2 | 7/16-14 | HEX FLANGE NUT |
| 2 | 4 | 3/8-16 X 1 1/2 | HEX BOLT |
| 3 | 4 | 3/8" | WASHER |
| 4 | 2 | 7/16-14 x 1 1/2 | CARRIAGE BOLT |
| 5 | 2 | CM-SP7 | .250 x 1.00 x 2.00" SQUARE HOLE SPACER |
| 6 | 2 | 7_16 FISHWIRE | 7/16" FISHWIRE |
| 7 | 4 | HFN3816 | HEX FLANGE NUT |



| TOOLS REQUIRED |
|----------------|
| RATCHET |
| TORQUE WRENCH |
| 6" EXTENSION |
| DIE GRINDER |
| 9/16" SOCKET |
| 11/16" SOCKET |
| SAFETY GLASSES |

HITCH WEIGHT: 22 LBS.

INSTALL TIME

PROFESSIONAL: 20 MINUTES

NOVICE (DIY): 40 MINUTES

INSTALL NOTES:

- HOLE ENLARGEMENT
- FISHWIRE HARDWARE

INSTALLATION STEPS

1. Enlarge existing hole to allow 7/16" carriage bolts and SP7 spacers to pass through, both sides. See Hole Enlargement Diagram.
2. Reverse fishwire 7/16" carriage bolts and SP7 spacers through enlarged access holes, both sides. See Reverse Pull Fishwire Technique
3. Raise hitch into position and loosely secure to carriage bolts using 7/16" hex flange nuts. **Note:** The side plates will slide between the inside of the tow loops.
4. Align holes in side plates with holes in tow loops and secure using 3/8" hex bolts, 3/8" washers and 3/8" hex flange nuts, as shown.
5. Torque all 7/16" hardware to 70 ft-lbs. Torque all 3/8" hardware to 45 ft-lbs.

PERIODICALLY CHECK THIS RECEIVER HITCH TO ENSURE THAT ALL FASTENERS ARE TIGHT AND THAT ALL STRUCTURAL COMPONENTS ARE SOUND.

Curt Manufacturing LLC., warrants this product to be free of defects in material and/or workmanship at the time of retail purchase by the original purchaser. If the product is found to be defective, Curt Manufacturing LLC., may repair or replace the product, at their option, when the product is returned, prepaid, with proof of purchase. Alteration to, misuse of, or improper installation of this product voids the warranty. Curt Manufacturing LLC.'s liability is limited to repair or replacement of products found to be defective, and specifically excludes liability for incidental or consequential loss or damage.