



Safety glasses should be worn at all times while installing this product.

YEARS: 2011-PRESENT

MAKE: CHEVROLET & BUICK

MODEL: CRUZE & VERANO (EXCLUDING DIESEL)

STYLE: SEDAN

WARNING: NEVER EXCEED YOUR VEHICLE MANUFACTURER'S RECOMMENDED TOWING CAPACITY

WEIGHT CARRYING:
 TRAILER WEIGHT: 2,000 LBS.
 TONGUE WEIGHT: 200 LBS.

INSTALLATION TIME: 15 MIN.

THE INSTALL TIME LISTED IS FOR PROFESSIONAL INSTALLERS. IF YOU ARE HESITANT TO UNDERTAKE THIS TASK ON YOUR OWN, CONTACT AN AUTHORIZED CURT INSTALLER FOR ADDITIONAL ASSISTANCE.



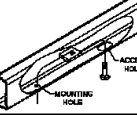

INSTALLATION REQUIRES:

 RATCHET	 TORQUE WRENCH	 3/4" 13mm SOCKET
 AVIATION SHEARS	 TAPE MEASURE	 SAFETY GLASSES

INSTALLATION TIPS:

- BEFORE YOU BEGIN INSTALLATION, READ ALL INSTRUCTIONS THOROUGHLY.
- TO EASE INSTALLATION, 2 PEOPLE MAY BE REQUIRED.
- USING PROPER TOOLS WILL GREATLY IMPROVE THE QUALITY OF THE INSTALL AND REDUCE THE TIME REQUIRED.

LEVEL OF DIFFICULTY: EASY

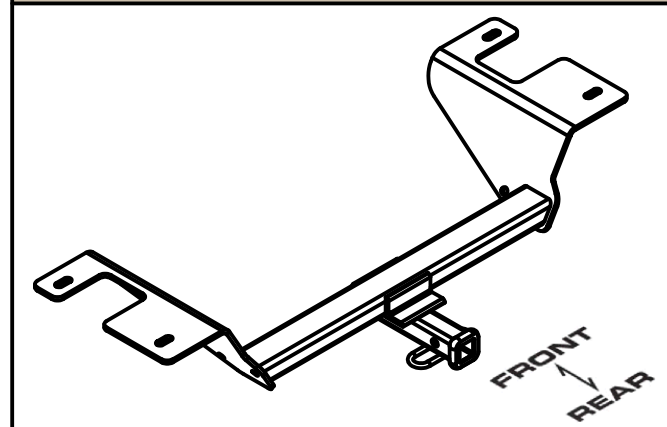
EASY	MODERATE	CHALLENGING
	- NO DRILLING	
	- LOWER EXHAUST	
	- FISHWIRE HARDWARE	
	- TRIM HEAT SHIELD (IF PRESENT)	

VEHICLE PHOTO:



REPRESENTATIVE PHOTO

TRAILER HITCH ILLUSTRATION:



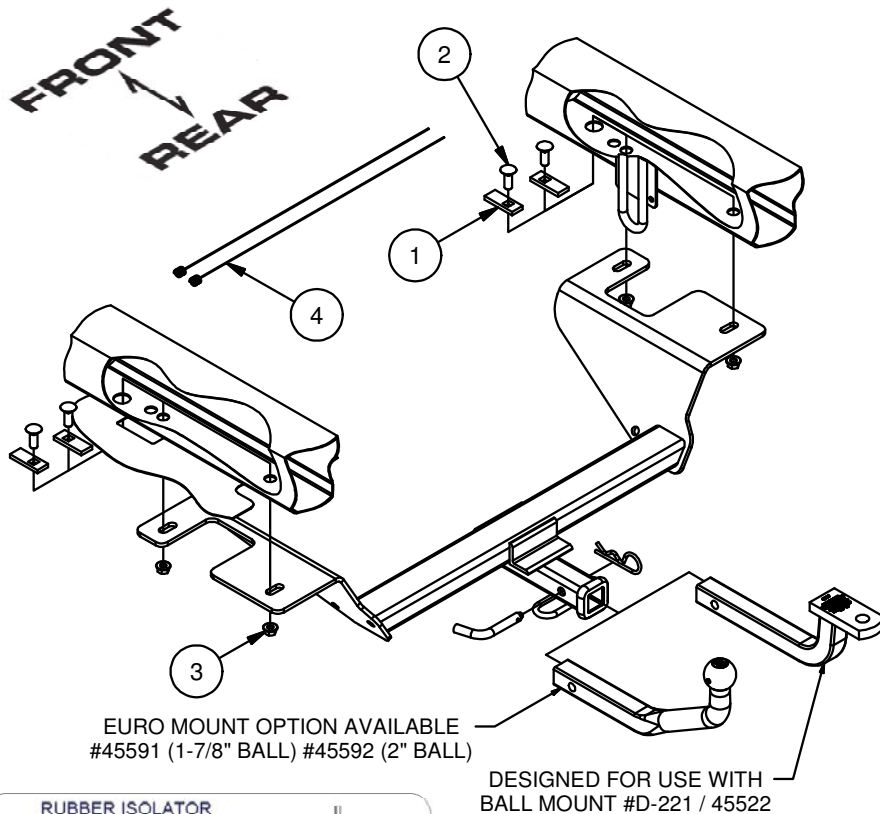
MAKE SURE YOUR HITCH MATCHES

PERIODICALLY CHECK THIS RECEIVER HITCH TO ENSURE ALL FASTENERS ARE TIGHT AND ALL STRUCTURAL COMPONENTS ARE SOUND

CURT Manufacturing LLC. warrants this product to be free of defects in material and/or workmanship at the time of retail purchase by the original purchaser. If the product is found to be defective, Curt Manufacturing LLC. may repair or replace the product at their option, when the product is returned, prepaid, with proof of purchase. Alteration to, misuse of, or improper installation of this product voids the warranty. Curt Manufacturing LLC.'s liability is limited to repair or replacement of products found to be defective, and specifically excludes liability for incidental or consequential loss or damage.

INSTALLATION WALKTHROUGH:

Parts List			
ITEM	QTY	PART NUMBER	DESCRIPTION
1	4	CM-SP2	.250 x .88 x 2.25" SQUARE HOLE SPACER
2	4	7/16-14 x 1 1/4	CARRIAGE BOLT
3	4	7/16-14	HEX FLANGE NUT
4	2	7_16 FISHWIRE	7/16" FISHWIRE



RUBBER ISOLATOR REMOVAL DIAGRAM

This technique can be used if an Exhaust Hanger Removal Pliers is not available.

Using a 5/8" open end wrench, slide the wrench up to the rubber isolator, cradling the hanger rod as shown. Next place the flat edge of a pry bar between the wrench and the hanger stop or hanger rod. Then simply rotate the pry bar toward the wrench to remove the rubber isolator.

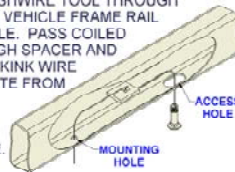
Note: Using a spray lubricant or soapy water on the hanger rod and the rubber isolator helps removal.



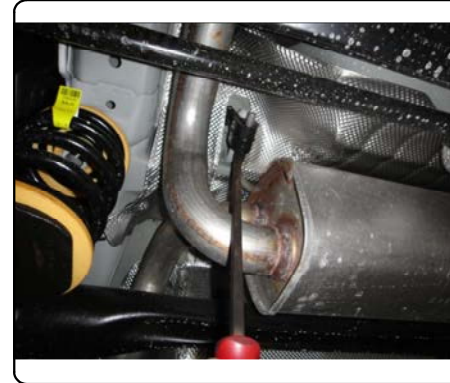
FISHWIRE TECHNIQUE

INSERT COILED END OF FISHWIRE TOOL THROUGH HITCH MOUNTING HOLE IN VEHICLE FRAME RAIL AND OUT THE ACCESS HOLE. PASS COILED END OF FISHWIRE THROUGH SPACER AND THREAD BOLT INTO COIL. KINK WIRE TO KEEP SPACER SEPARATE FROM BOLT AS SHOWN. PULL FISHWIRE, SPACER, AND BOLT THROUGH FRAME AND OUT MOUNTING HOLE. USE FISHWIRE TO GUIDE HITCH DURING MOUNTING AND PREVENT LOSS OF BOLT / SPACER INSIDE FRAME RAIL.

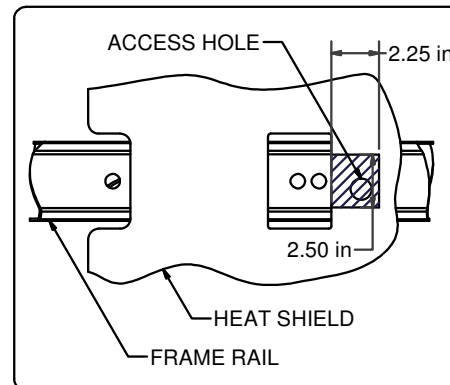
NOTE: SOME VEHICLES MAY FISHWIRE THROUGH END OF FRAME



1. Lower exhaust by removing (2) rubber isolators from the muffler towards the center of the vehicle and by removing the bolt securing the rearmost hanger to the frame.
Note: Exhaust will vary depending on model.



2. If a heat shield is present you need to trim it to access the access hole in the frame. **Note:** Dimensions are approximate, confirm prior to trimming.



INSTALLATION WALKTHROUGH:

3. Fishwire SP2 spacers and 7/16" carriage bolts through access holes and out mounting holes. Raise hitch into position and secure with 7/16" flange nuts. (See Fishwire Technique Diagram on page 2)



4. Torque 7/16" hardware to 70 ft-lbs. Raise exhaust back into position.



INSTALLATION COMPLETE



11282 CHEVROLET CRUZE & BUICK VERANO (EXCLUDING DIESEL MODELS)

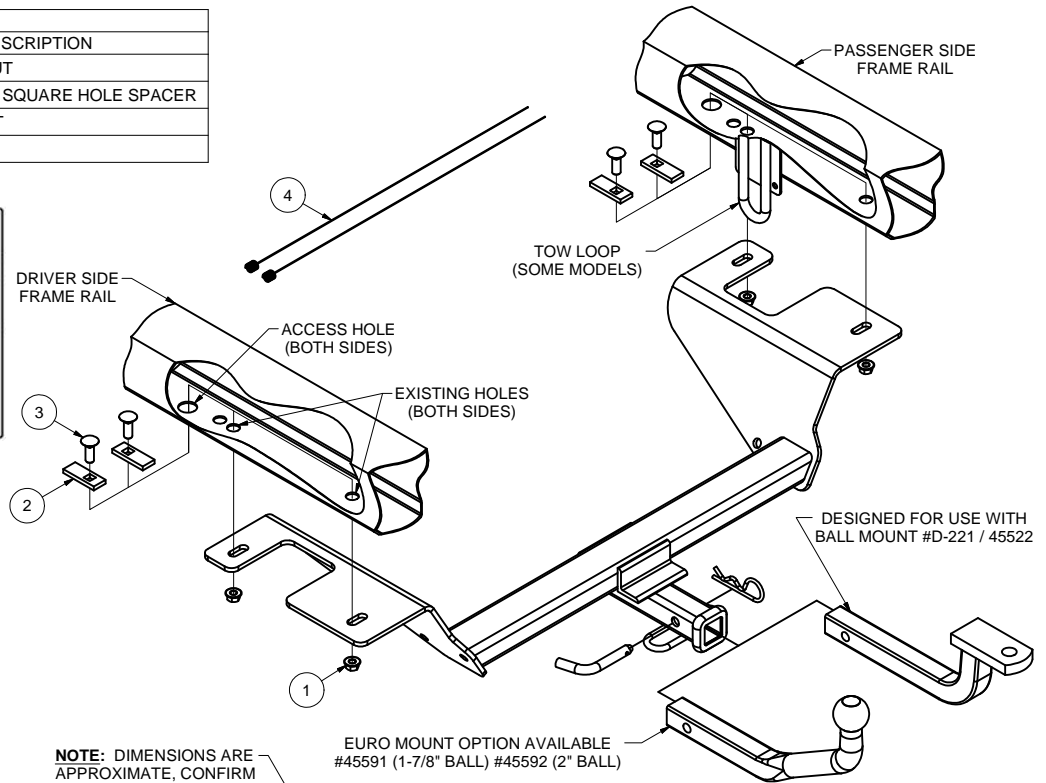
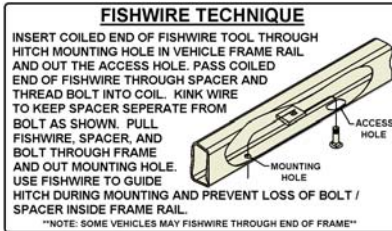
GROSS LOAD CAPACITY WHEN USED AS A WEIGHT CARRYING HITCH: 2,000 LBS. TRAILER WEIGHT & 200 LBS. TONGUE WEIGHT.

DO NOT EXCEED VEHICLE MANUFACTURER'S RECOMMENDED TOWING CAPACITY.

WARNING: ALL NON-TRAILER LOADS APPLIED TO THIS PRODUCT MUST BE SUPPORTED BY 18050 STABILIZING STRAPS.

** FAILURE TO PROPERLY SUPPORT NON-TRAILER LOADS WILL VOID PRODUCT WARRANTY**

Parts List			
ITEM	QTY	PART NUMBER	DESCRIPTION
1	4	7/16-14	HEX FLANGE NUT
2	4	CM-SP2	.250 x .88 x 2.25" SQUARE HOLE SPACER
3	4	7/16-14 x 1 1/4	CARRIAGE BOLT
4	2	7_16 FISHWIRE	7/16" FISHWIRE



TOOLS REQUIRED
RATCHET
TORQUE WRENCH
3/4" SOCKET
13mm SOCKET
AVIATION SHEARS
SAFETY GLASSES

HITCH WEIGHT: 35 LBS.

INSTALL TIME

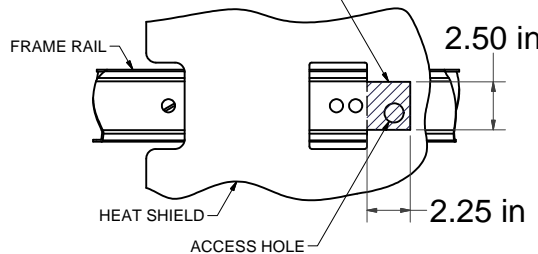
PROFESSIONAL: 15 MINUTES

NOVICE (DIY): 30 MINUTES

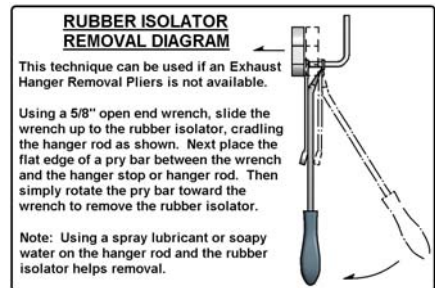
INSTALL NOTES:

- NO DRILLING
- LOWER EXHAUST
- FISHWIRE HARDWARE
- TRIM HEAT SHIELD (IF PRESENT)

NOTE: DIMENSIONS ARE APPROXIMATE. CONFIRM PRIOR TO TRIMMING



HEAT SHIELD TRIM DIAGRAM (IF PRESENT)



INSTALLATION STEPS

1. Lower exhaust by removing (2) rubber isolators from the muffler towards the center of the vehicle and by removing the bolt securing the rearmost hanger to the frame. (See Rubber Isolator Removal Diagram)
2. If a heat shield is present you will need to trim it to access the access hole in the frame. See heat shield trim diagram. **Note:** Dimensions are approximate, confirm prior to trimming.
3. Fishwire SP2 spacers and 7/16" carriage bolts through access holes and out mounting holes. (See Fishwire Technique Diagram)
4. Raise hitch into position and secure with 7/16" flange nuts.
5. Torque 7/16" hardware to 70 ft-lbs.
6. Raise exhaust back into position.

PERIODICALLY CHECK THIS RECEIVER HITCH TO ENSURE THAT ALL FASTENERS ARE TIGHT AND THAT ALL STRUCTURAL COMPONENTS ARE SOUND.

Curt Manufacturing LLC., warrants this product to be free of defects in material and/or workmanship at the time of retail purchase by the original purchaser. If the product is found to be defective, Curt Manufacturing LLC., may repair or replace the product, at their option, when the product is returned, prepaid, with proof of purchase. Alteration to, misuse of, or improper installation of this product voids the warranty. Curt Manufacturing LLC.'s liability is limited to repair or replacement of products found to be defective, and specifically excludes liability for incidental or consequential loss or damage.