



Safety glasses should be worn at all times while installing this product.

**YEARS:** 2004-2008  
2002-2006

**MAKE:** NISSAN  
NISSAN

**MODEL:** MAXIMA  
ALTIMA

**STYLE:** SEDAN  
SEDAN

**WARNING: NEVER EXCEED YOUR VEHICLE MANUFACTURER'S RECOMMENDED TOWING CAPACITY**

**WEIGHT CARRYING:** TRAILER WEIGHT: 2,000 LBS.  
TONGUE WEIGHT: 200 LBS.

**INSTALLATION TIME: 35 MIN.**

THE INSTALL TIME LISTED IS FOR PROFESSIONAL INSTALLERS. IF YOU ARE HESITANT TO UNDERTAKE THIS TASK ON YOUR OWN, CONTACT AN AUTHORIZED CURT INSTALLER FOR ADDITIONAL ASSISTANCE.


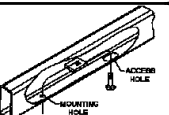
**INSTALLATION REQUIRES:**

 <b>RATCHET</b>	 <b>12mm 11/16" 3/4"</b> <b>SOCKET</b>	 <b>TORQUE WRENCH</b>
 <b>DIE GRINDER</b>	 <b>UTILITY KNIFE</b>	 <b>SAFETY GLASSES</b>

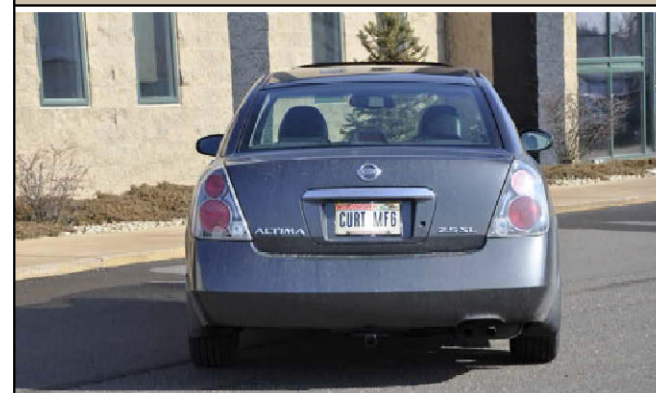
**INSTALLATION TIPS:**

- BEFORE YOU BEGIN INSTALLATION, READ ALL INSTRUCTIONS THOROUGHLY.
- TO EASE INSTALLATION, 2 PEOPLE MAY BE REQUIRED.
- USING PROPER TOOLS WILL GREATLY IMPROVE THE QUALITY OF THE INSTALL AND REDUCE THE TIME REQUIRED.

**LEVEL OF DIFFICULTY: MODERATE**

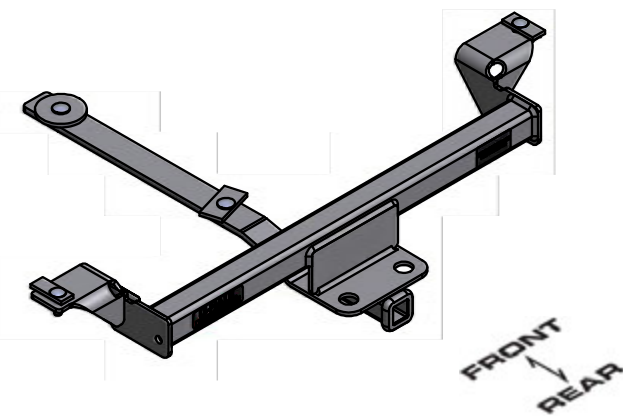
<i>EASY</i>	<i>MODERATE</i>	<i>CHALLENGING</i>
	HOLE ENLARGEMENT	
	FISHWIRE	

**VEHICLE PHOTO:**



REPRESENTATIVE PHOTO

**TRAILER HITCH ILLUSTRATION:**



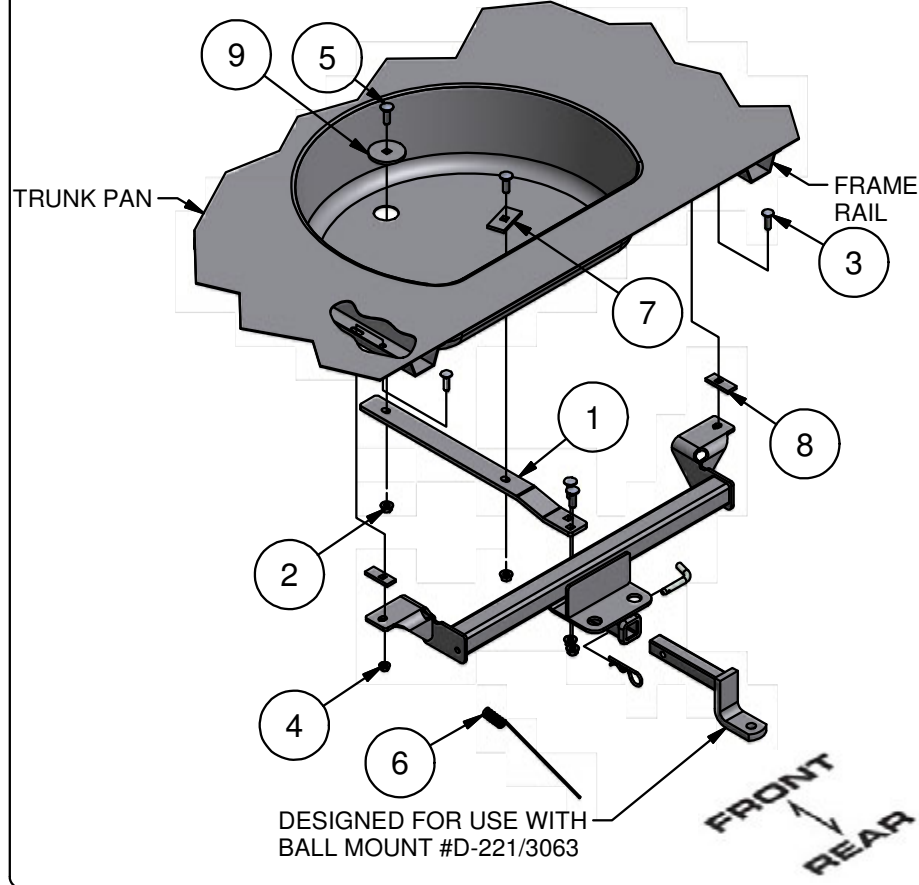
MAKE SURE YOUR HITCH MATCHES

**PERIODICALLY CHECK THIS RECEIVER HITCH TO ENSURE ALL FASTENERS ARE TIGHT AND ALL STRUCTURAL COMPONENTS ARE SOUND**

CURT Manufacturing LLC. warrants this product to be free of defects in material and/or workmanship at the time of retail purchase by the original purchaser. If the product is found to be defective, Curt Manufacturing LLC. may repair or replace the product at their option, when the product is returned, prepaid, with proof of purchase. Alteration to, misuse of, or improper installation of this product voids the warranty. Curt Manufacturing LLC.'s liability is limited to repair or replacement of products found to be defective, and specifically excludes liability for incidental or consequential loss or damage.

## INSTALLATION WALKTHROUGH:

Parts List			
ITEM	QTY	PART NUMBER	DESCRIPTION
1	1	CM-11264-TS	.375" X 2.00" TRUNK STRAP
2	4	HFN 1213	HEX FLANGE NUT
3	2	7/16-14 x 1 1/2	CARRIAGE BOLT
4	2	7/16-14	HEX FLANGE NUT
5	4	1/2-13 x 1 1/2	CARRIAGE BOLT
6	1	CM-438-FW	7/16" FISHWIRE TOOL
7	1	CM-SP4	.250 x 1.50 x 3.00" SQUARE HOLE SPACER
8	2	CM-SP11	.250 x 1.00 x 2.50" SQUARE HOLE SPACER
9	1	CM-SP62	.250" SPACER PLATE



1) Remove spare tire from trunk.



2) In floor of trunk pan, remove rubber plug from front drain hole. Remove bonded covering from rear drain hole.



## INSTALLATION WALKTHROUGH:

3) Lower exhaust by removing hanger bracket/brackets from end of muffler/mufflers.



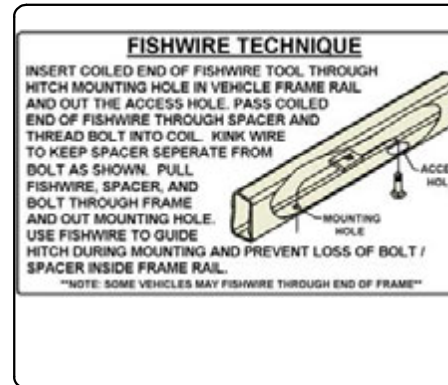
4) Remove plastic rivets from supports on bottom edge of bumper fascia. Rivets are released by first pulling out center post approximately 1/4". Rivet can then be pushed out by hand.



5) Remove material between adjacent holes in frame rail using metal shears or die grinder. Enlarge opening to allow the head of a 7/16" carriage bolt to pass through. Repeat for other side of vehicle.

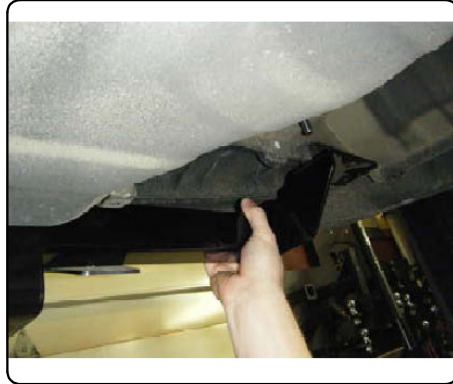


6) Fishwire 7/16" carriage bolt and small spacer block through enlarged access hole in frame rail and out existing hole in frame rail.



## INSTALLATION WALKTHROUGH:

7) Raise hitch into position while holding plastic fascia support fingers back to allow hitch main body to fit up into cavity behind bumper.



8) Being careful not to push bolts back into frame, lift hitch into position. Install flange nuts, finger tighten.



9) Attach trunk strap to top surface of mounting tab on hitch receiver using 1/2" carriage bolts and flange nuts.



10) Using silicone compound to ensure an air tight seal, install large spacer blocks and 1/2" carriage bolts through drain holes in trunk pan and through holes in trunk strap. Install flange nuts, finger tighten.



## INSTALLATION WALKTHROUGH:

11) Adjust large spacers, trunk strap and hitch to be square with vehicle. Torque all 7/16" fasteners to 70 lb-ft, all 1/2" fasteners to 110 lb-ft.



12) Re-attach bumper fascia using plastic rivets removed in step 4.



13) Raise exhaust and re-attach muffler hanger bracket/brackets.



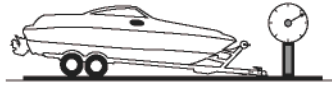
14) Replace spare tire. Install is now complete.



## TOWING SAFETY INFORMATION

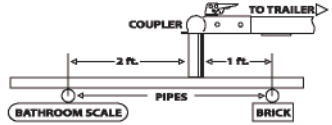
### Gross Trailer Weight / GTW

The Gross Trailer Weight is the weight of the trailer & cargo. Measure this by putting the fully loaded trailer on a vehicle scale.



### Tongue Weight / TW

The downward force that is exerted on the hitch ball by the coupler. The tongue weight will vary depending on where the load is positioned in relationship to the trailer axle(s). To measure the tongue weight, use either a commercial scale or a bathroom scale with the coupler at towing height. When using a bathroom scale with heavier tongue weights, use the method shown and multiply the scale reading by 3.



### Weight Carrying / WC

The total weight of both the trailer and the cargo inside. Never exceed the weight capacity of your trailer hitch.

### Weight Distribution / WD

Used to balance the weight of the cargo between the front and rear wheels throughout the trailer, allowing for better steering, braking, and level riding.



### Sway Control

A device used to reduce the lateral movements of the trailer that are caused by the wind. This works in conjunction with a weight distribution hitch. Do not use this on a class 1 or 2 hitch, or with surge brakes.

### How Much Can You Safely Tow?

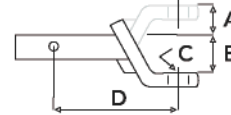
TONGUE WEIGHT lbs	1000	2000	3000	4000	5000	6000	7000	8000	10,000	12,000
Tongue weight should be about 10% to 15% percent of the gross trailer weight.										
CLASS 1										
CLASS 2										
CLASS 3										
CLASS 4										
CLASS 5										
TRAILER TYPE										
Camper	11'	12'	13'	14'	15'	16'				
lbs	1100	1200	1300	1400	1500	1600				
Vacation	14'	16'	18'	20'	22'	24'	26'	28'	30'	32'
lbs	2100	2400	2700	3000	3300	3600	3900	4200	4500	4800
Vacation	14'	16'	18'	20'	22'	24'	26'	28'	30'	32'
lbs	2800	3200	3600	4000	4400	4800	5200	5600	6000	6400
5th Wheel										

Refer to owner's manual for towing capabilities and limitations.

### Ball Mount

The ball mount is placed inside the opening of the receiver hitch which is mounted to the vehicle. Make sure a hitch pin and clip is properly securing the ball mount to the receiver hitch before you begin towing.

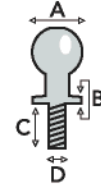
- A: Rise. B: Drop. C: Hole Size. D: Length.



### Trailer Ball

The connection from the hitch to the trailer. There are many factors that determine the correct hitch ball:

- Number one is the hitch ball's gross trailer weight rating.
- The mounting platform must be at least 3/8" thick.
- The hole diameter must not be more than 1/16" larger than the threaded shank.
- Every time you tow, check the nut and lock washer to make sure they are fastened securely.
- A: Ball Dia. B: Shank Dia. C: Shank Length. D: Shank Rise.



### Coupler

The component that is placed over the trailer ball to connect the vehicle to the trailer. Be sure that the coupler size matches the size of the hitch ball and that the coupler handle is securely fastened. To determine what size hitch ball you need for your application you will need to know the size of coupler that is on the trailer. Be sure your coupler is properly adjusted to the ball you are using.

NOTE: For added security the use of safety devices such as Coupler Safety Pins and Locks is strongly recommended.

### Safety Chains

Safety chains are a requirement and should be crossed under the tongue of the trailer so that the tongue will not drop to the road if it becomes separated from the hitch. Always leave enough slack so you can turn. Never allow the safety chains to drag on the ground and never attach the chains to the bumper.

Trailer Classification: Safety Chain Breaking Force - Minimum

Class 1: 2,000 lbs. (8.9 kN)

Class 2: 3,500 lbs. (15.6 kN)

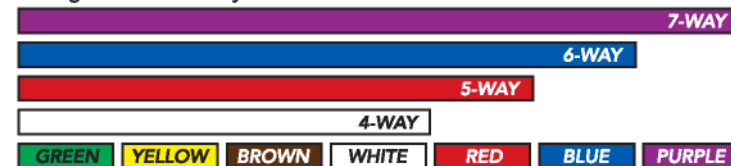
Class 3: 5,000 lbs. (22.2 kN)

The strength rating of each length of safety chain or its equivalent and its attachments shall be equal to or exceed in minimum breaking force the GVWR (Gross Vehicle Weight Rating) of the trailer.

### Electrical

Trailer lights, Electric Brakes, Break-away systems - Every time you tow, be sure to check that all components are working properly.

Wiring identification by color:



11264

2004-2008 NISSAN MAXIMA; 2002-2006 NISSAN ALTIMA

10/15/2012

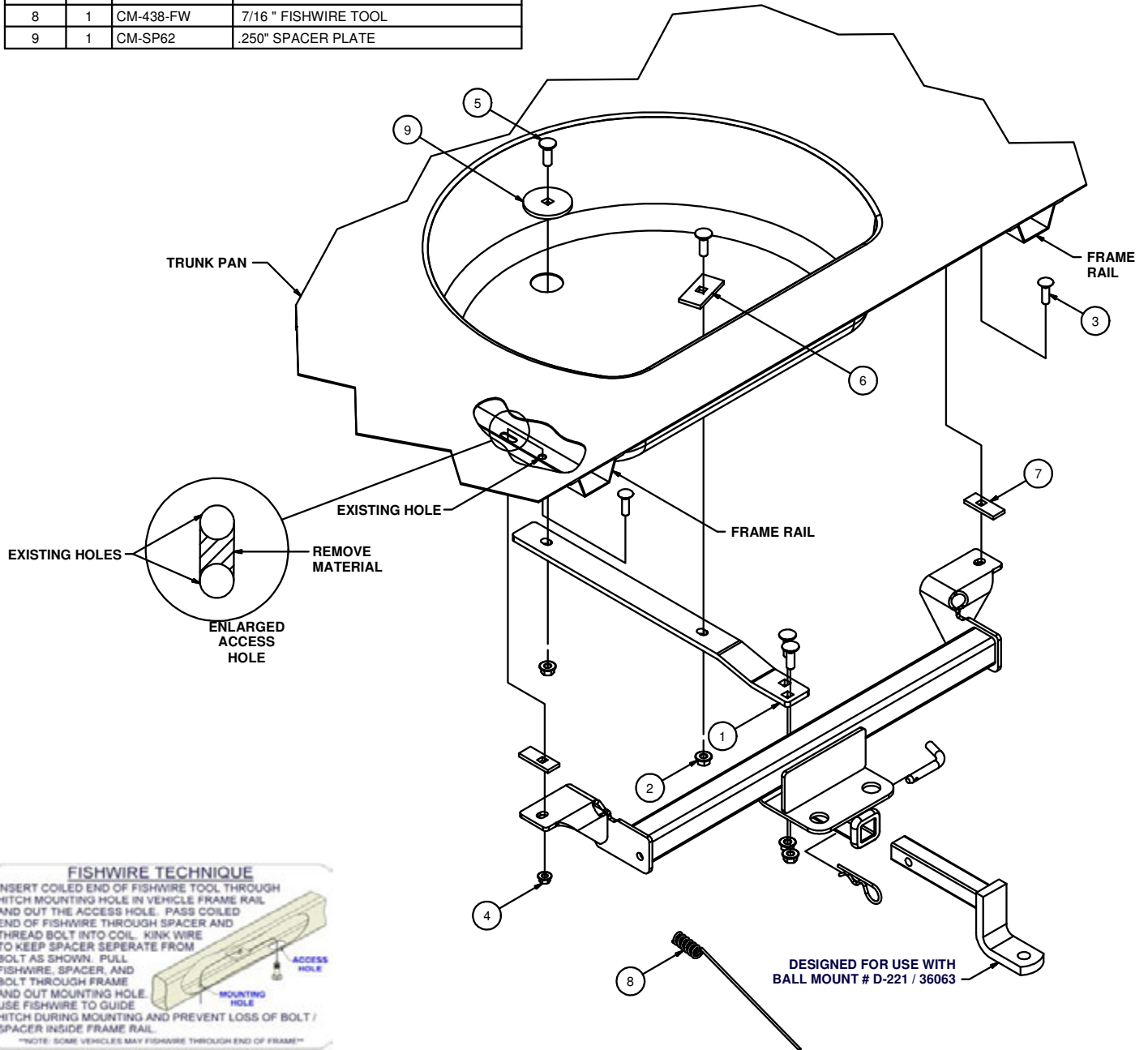
GROSS LOAD CAPACITY WHEN USED AS A WEIGHT CARRYING HITCH: 2000 LBS. TRAILER WEIGHT & 200 LBS. TONGUE WEIGHT.

\*\*\*DO NOT EXCEED VEHICLE MANUFACTURER'S RECOMMENDED TOWING CAPACITY.\*\*\*

WARNING: ALL NON-TRAILER LOADS APPLIED TO THIS PRODUCT MUST BE SUPPORTED BY AUXILIARY STABILIZING STRAPS.

\*\* FAILURE TO PROPERLY SUPPORT NON-TRAILER LOADS WILL VOID PRODUCT WARRANTY\*\*

Parts List			
ITEM	QTY	PART NUMBER	DESCRIPTION
1	1	CM-11264-TS	.375" TRUNK STRAP
2	4	HFN 1213	HEX FLANGE NUT
3	2	7/16-14 x 1 1/2	CARRIAGE BOLT
4	2	7/16-14	HEX FLANGE NUT
5	4	1/2-13 x 1 1/2	CARRIAGE BOLT
6	1	CM-SP4	.250 x 1.50 x 3.00" SQUARE HOLE SPACER
7	2	CM-SP11	.250 x 1.00 x 2.50" SQUARE HOLE SPACER
8	1	CM-438-FW	7/16" FISHWIRE TOOL
9	1	CM-SP62	.250" SPACER PLATE



**PERIODICALLY CHECK THIS RECEIVER HITCH TO ENSURE THAT ALL FASTENERS ARE TIGHT AND THAT ALL STRUCTURAL COMPONENTS ARE SOUND.**

Curt Manufacturing Inc., warrants this product to be free of defects in material and/or workmanship at the time of retail purchase by the original purchaser. If the product is found to be defective, Curt Manufacturing Inc., may repair or replace the product, at their option, when the product is returned, prepaid, with proof of purchase. Alteration to, misuse of, or improper installation of this product voids the warranty. Curt Manufacturing Inc.'s liability is limited to repair or replacement of products found to be defective, and specifically excludes liability for incidental or consequential loss or damage.

**11264**

**2004 - 2008 NISSAN MAXIMA**

10/15/2012

GROSS LOAD CAPACITY WHEN USED AS A WEIGHT CARRYING HITCH: 2,000 LBS. TRAILER WEIGHT & 200 LBS. TONGUE WEIGHT.  
\*\*\***DO NOT EXCEED VEHICLE MANUFACTURER'S RECOMMENDED TOWING CAPACITY.**\*\*\*

HITCH WEIGHT: 24 LBS.  
INSTALL TIME: 45 MINUTES  
INSTALL NOTES:  
- DRILLING REQUIRED  
- LOWER EXHAUST  
- REMOVE SPARE

- 1) Remove spare tire from trunk.
- 2) In floor of trunk pan, remove rubber plug from front drain hole. Remove bonded covering from rear drain hole.
- 3) Lower exhaust by removing hanger bracket/brackets from end of muffler/mufflers.
- 4) Remove plastic rivets from supports on bottom edge of bumper fascia. Rivets are released by first pulling out center post approximately 1/4". Rivet can then be pushed out by hand.
- 5) Referring to illustration, remove material between adjacent holes in frame rail using metal shears or die grinder. Dress sides of hole with file and enlarge opening to allow the head of a 7/16" carriage bolt to pass through. Repeat for other side of vehicle.
- 6) Fishwire 7/16" carriage bolt and small spacer block through enlarged access hole in frame rail and out existing hole in frame rail.
- 7) Raise hitch into position while holding plastic fascia support fingers back to allow hitch main body to fit up into cavity behind bumper.
- 8) Being careful not to push bolts back into frame, lift hitch into position. Install flange nuts, finger tighten.
- 9) Attach trunk strap to top surface of mounting tab on hitch receiver using 1/2" carriage bolts and flange nuts.
- 10) Using silicone compound to ensure an air tight seal, install large spacer blocks and 1/2" carriage bolts through drain holes in trunk pan and through holes in trunk strap. Install flange nuts, finger tighten.
- 11) Adjust large spacers, trunk strap and hitch to be square with vehicle.
- 12) Torque all 7/16" fasteners to 70 lb-ft, all 1/2" fasteners to 110 lb-ft.
- 13) Re-attach bumper fascia using plastic rivets removed in step 4.
- 14) Raise exhaust and re-attach muffler hanger bracket/brackets.
- 15) Replace spare tire.

**PERIODICALLY CHECK THIS RECEIVER HITCH TO ENSURE THAT ALL FASTENERS ARE TIGHT AND THAT ALL STRUCTURAL COMPONENTS ARE SOUND.**

Curt Manufacturing Inc., warrants this product to be free of defects in material and/or workmanship at the time of retail purchase by the original purchaser. If the product is found to be defective, Curt Manufacturing Inc., may repair or replace the product, at their option, when the product is returned, prepaid, with proof of purchase. Alteration to, misuse of, or improper installation of this product voids the warranty. Curt Manufacturing Inc.'s liability is limited to repair or replacement of products found to be defective, and specifically excludes liability for incidental or consequential loss or damage.