



11232 INSTALLATION INSTRUCTIONS



Safety glasses should be worn at all times while installing this product.

YEARS: 2012-PRESENT

MAKE: VOLKSWAGEN

MODEL: PASSAT (GASOLINE) EXCEPT 3.6L W/ DUEL EXHAUST

STYLE: SEDAN

WARNING: NEVER EXCEED YOUR VEHICLE MANUFACTURER'S RECOMMENDED TOWING CAPACITY

WEIGHT CARRYING:
TRAILER WEIGHT: 2,000 LBS.
TONGUE WEIGHT: 200 LBS.

INSTALLATION TIME: 45 MIN.

THE INSTALL TIME LISTED IS FOR PROFESSIONAL INSTALLERS. IF YOU ARE HESITANT TO UNDERTAKE THIS TASK ON YOUR OWN, CONTACT AN AUTHORIZED CURT INSTALLER FOR ADDITIONAL ASSISTANCE.



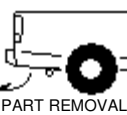
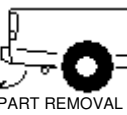
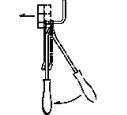
INSTALLATION REQUIRES:

 RATCHET	 TORQUE WRENCH	 3/4" 11/16" SOCKET
 10mm 13mm SOCKET	 10" SOCKET EXTENSION	 25 TORXBIT SOCKET
 TAPE MEASURE	 MASKING TAPE	 ROTARY TOOL
 CUT-OFF WHEEL	 SILICONE CAULK	 SAFETY GLASSES

INSTALLATION TIPS:

- BEFORE YOU BEGIN INSTALLATION, READ ALL INSTRUCTIONS THOROUGHLY.
- TO EASE INSTALLATION, 2 PEOPLE MAY BE REQUIRED.
- USING PROPER TOOLS WILL GREATLY IMPROVE THE QUALITY OF THE INSTALL AND REDUCE THE TIME REQUIRED.

LEVEL OF DIFFICULTY: MODERATE

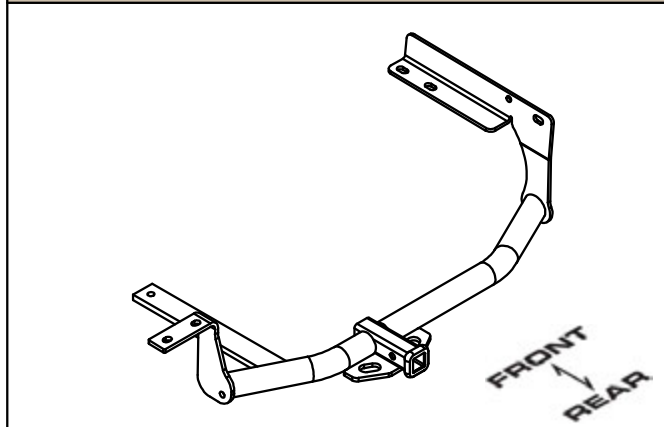
EASY	MODERATE	CHALLENGING
	- NO DRILLING REQUIRED	
	- UNDERBODY PANEL TRIMMING REQUIRED	
	- REMOVE DRAIN PLUG	
	- TEMPORARILY REMOVE SPARE TIRE	
	- LOWER EXHAUST	

VEHICLE PHOTO:



REPRESENTATIVE PHOTO

TRAILER HITCH ILLUSTRATION:



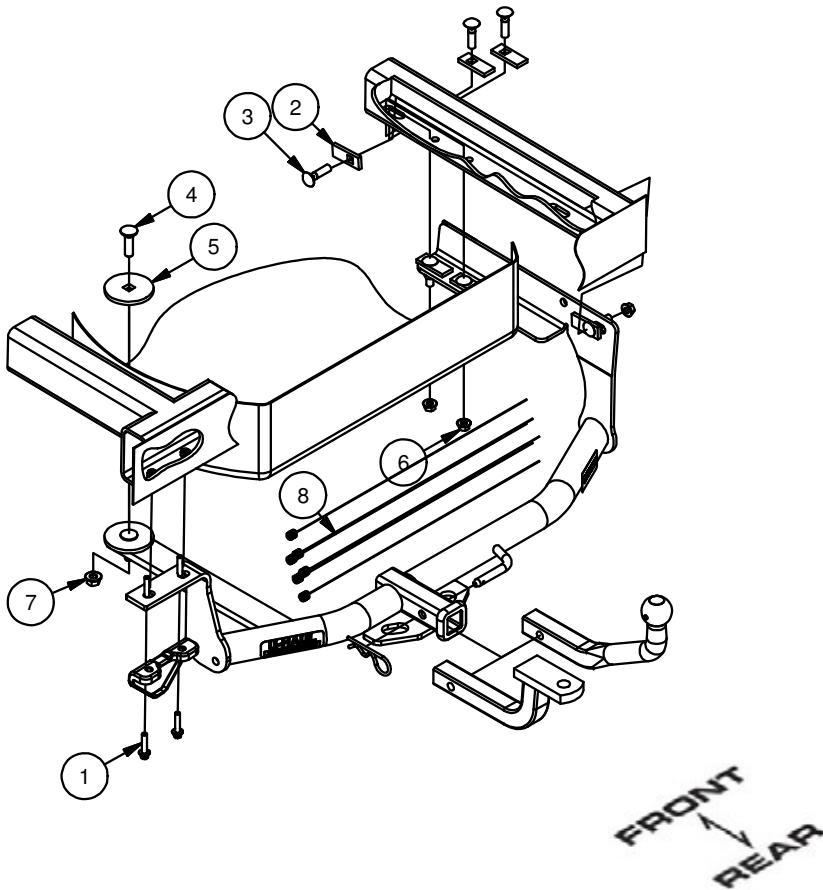
MAKE SURE YOUR HITCH MATCHES

PERIODICALLY CHECK THIS RECEIVER HITCH TO ENSURE ALL FASTENERS ARE TIGHT AND ALL STRUCTURAL COMPONENTS ARE SOUND

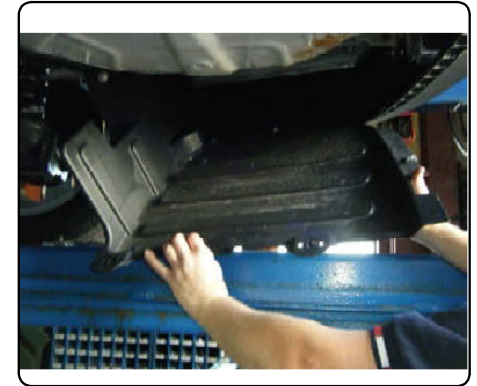
CURT Manufacturing LLC. warrants this product to be free of defects in material and/or workmanship at the time of retail purchase by the original purchaser. If the product is found to be defective, Curt Manufacturing LLC. may repair or replace the product at their option, when the product is returned, prepaid, with proof of purchase. Alteration to, misuse of, or improper installation of this product voids the warranty. Curt Manufacturing LLC.'s liability is limited to repair or replacement of products found to be defective, and specifically excludes liability for incidental or consequential loss or damage.

INSTALLATION WALKTHROUGH:

Parts List			
ITEM	QTY	PART NUMBER	DESCRIPTION
1	2	M8 - 1.25 x 35 HFB	M8-1.25 x 35 HEX FLANGE BOLT
2	3	CM-SP2	.250 x .88 x 2.25" SQUARE HOLE SPACER
3	3	7/16 - 14 x 1 3/4	CARRIAGE BOLT
4	1	1/2-13 x 1 3/4	CARRIAGE BOLT
5	1	CM-SP62	.250" SPACER PLATE
6	3	7/16-14	HEX FLANGE NUT
7	1	HFN 1213	HEX FLANGE NUT
8	3	7_16 FISHWIRE	7/16" FISHWIRE



1. Lower the passenger side underbody panel by removing (3) torx head screws and (2) hex nuts. (Save fasteners for use in Step 10.)



2. Lower the exhaust by removing the (2) hex flange bolts from exhaust hanger bracket. Return to vehicle owner. (Leave the muffler attached to the exhaust hanger bracket.)



INSTALLATION WALKTHROUGH:

3. Fishwire a 7/16" carriage bolt and CM-SP2 spacer through the access hole and out each of the two forward holes in the bottom of the passenger side frame rail as shown.



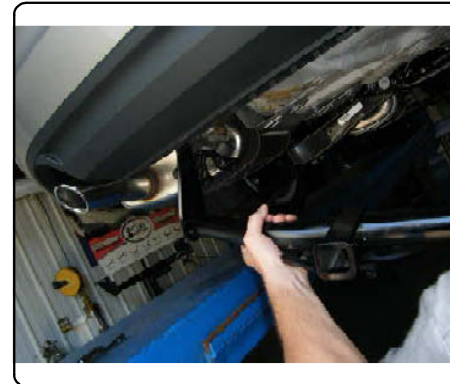
4. Remove the contents of the trunk including the spare tire.



5. Remove the middle plug on the driver side of the spare tire well. Return plug to vehicle owner.

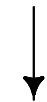
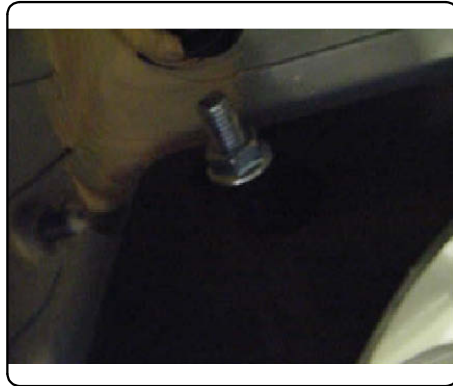


6. Raise hitch into position over the exhaust, threading the passenger side fishwire through the slot in the passenger side mounting plate. Secure the passenger side with the (2) 7/16" hex flange nuts as shown. Take care not to push the carriage bolts into the frame rail.



INSTALLATION WALKTHROUGH:

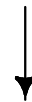
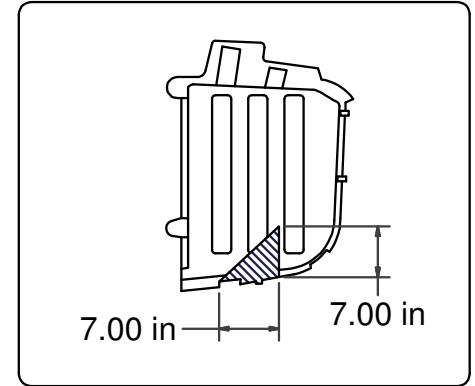
7. Position the driver side mount plate between the exhaust hanger bracket and the driver side frame rail and secure using the (2) M8 hex flange bolts. Fishwire the remaining 7/16" carriage bolt and CM-SP2 spacer through the access hole and out the slotted hole on the outer side of passenger side frame rail as shown and secure with a hex flange nut.



8. Use silicone caulk (or equivalent) to seal the tire well plug hole from exhaust fumes and water by putting a bead around the CM-SP62 spacer. Place the CM-SP62 spacer onto the hole and put a bead of caulk around the square hole. Install a 1/2" carriage bolt and secure with a hex flange nut from under the vehicle as shown.



9. Torque all M8 hardware to 17 ft-lbs., all 7/16" hardware to 70 ft-lbs. and all 1/2" hardware to 110 ft-lbs. Trim rear underbody panel to clear the passenger side plate as shown in the Underbody Panel Trim Diagram. Reinstall the underbody panel using the torx head screws and hex nuts removed in Step 1.



10. Return spare tire and other items removed from the trunk. Install is now complete.



11232

VOLKSWAGEN PASSAT SEDAN (EXCEPT TDI AND 3.6L W/ DUAL EXHAUST)

GROSS LOAD CAPACITY WHEN USED AS A WEIGHT CARRYING HITCH: 2,000 LBS. TRAILER WEIGHT & 200 LBS. TONGUE WEIGHT.

*****DO NOT EXCEED VEHICLE MANUFACTURER'S RECOMMENDED TOWING CAPACITY.*****

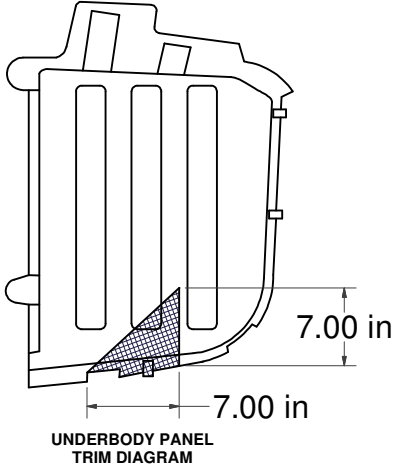
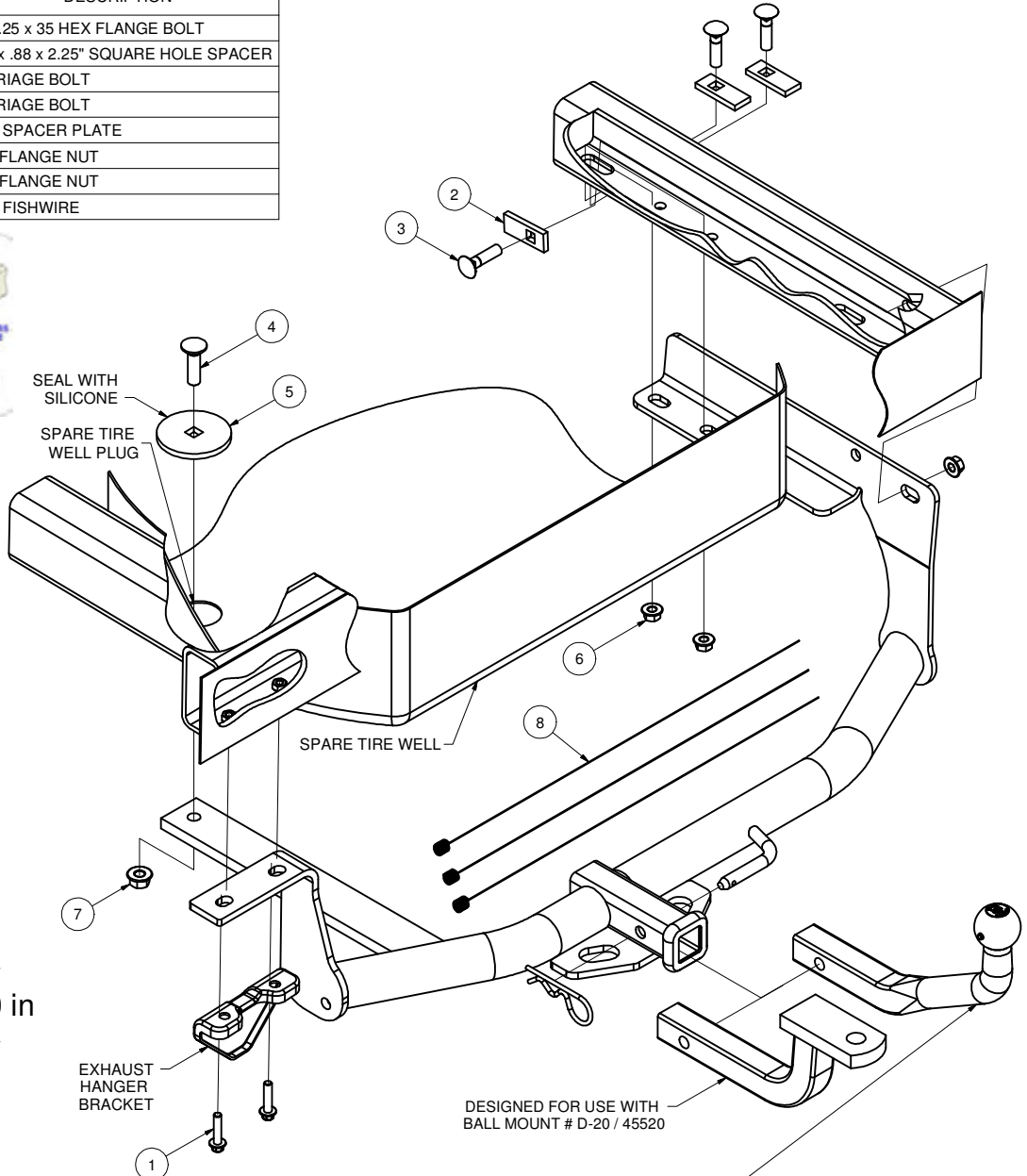
WARNING: ALL NON-TRAILER LOADS APPLIED TO THIS PRODUCT MUST BE SUPPORTED BY AUXILIARY STABILIZING STRAPS.

**** FAILURE TO PROPERLY SUPPORT NON-TRAILER LOADS WILL VOID PRODUCT WARRANTY****

Parts List			
ITEM	QTY	PART NUMBER	DESCRIPTION
1	2	M8 - 1.25 x 35 HFB	M8-1.25 x 35 HEX FLANGE BOLT
2	3	CM-SP2	.250 x .88 x 2.25" SQUARE HOLE SPACER
3	3	7/16 - 14 x 1 3/4	CARRIAGE BOLT
4	1	1/2-13 x 1 3/4	CARRIAGE BOLT
5	1	CM-SP62	.250" SPACER PLATE
6	3	7/16-14	HEX FLANGE NUT
7	1	HFN 1213	HEX FLANGE NUT
8	3	7_16 FISHWIRE	7/16" FISHWIRE



- TOOLS REQUIRED**
- #15 AND #25 TORX DRIVERS
 - 10mm, 13mm, 3/4", 11/16" SOCKETS
 - 10" EXTENSION
 - RATCHET
 - TORQUE WRENCH
 - ROTARY CUTTING TOOL
 - TAPE MEASURE
 - MASKING TAPE
 - CAULK
 - SAFETY GLASSES



HITCH WEIGHT: .32 LBS.

INSTALL TIME

PROFESSIONAL: 45 MINUTES

NOVICE (DIY): 90 MINUTES

INSTALL NOTES:

- NO DRILLING REQUIRED
- LOWER EXHAUST
- FISHWIRE HARDWARE
- TRIM UNDERBODY PANEL
- REMOVE DRAIN PLUG
- TEMPORARILY REMOVE SPARE TIRE

EURO MOUNT OPTION AVAILABLE
#45561 (1-7/8" BALL) #45562 (2" BALL)

PERIODICALLY CHECK THIS RECEIVER HITCH TO ENSURE THAT ALL FASTENERS ARE TIGHT AND THAT ALL STRUCTURAL COMPONENTS ARE SOUND.

Curt Manufacturing Inc., warrants this product to be free of defects in material and/or workmanship at the time of retail purchase by the original purchaser. If the product is found to be defective, Curt Manufacturing Inc., may repair or replace the product, at their option, when the product is returned, prepaid, with proof of purchase. Alteration to, misuse of, or improper installation of this product voids the warranty. Curt Manufacturing Inc.'s liability is limited to repair or replacement of products found to be defective, and specifically excludes liability for incidental or consequential loss or damage.

11232

VOLKSWAGEN PASSAT SEDAN (EXCEPT TDI AND 3.6L W/ DUAL EXHAUST)

GROSS LOAD CAPACITY WHEN USED AS A WEIGHT CARRYING HITCH: 2,000 LBS. TRAILER WEIGHT & 200 LBS. TONGUE WEIGHT.

*****DO NOT EXCEED VEHICLE MANUFACTURER'S RECOMMENDED TOWING CAPACITY.*****

WARNING: ALL NON-TRAILER LOADS APPLIED TO THIS PRODUCT MUST BE SUPPORTED BY AUXILIARY STABILIZING STRAPS.

**** FAILURE TO PROPERLY SUPPORT NON-TRAILER LOADS WILL VOID PRODUCT WARRANTY****

INSTALLATION STEPS

1. Lower the passenger side underbody panel by removing (3) torx head screws and (2) hex nuts. (Save fasteners for use in Step 10.)
2. Lower the exhaust by removing the (2) hex flange bolts from exhaust hanger bracket. Return to vehicle owner. (Leave the muffler attached to the exhaust hanger bracket.)
3. Fishwire a 7/16" carriage bolt and CM-SP2 spacer through the access hole and out each of the two forward holes in the bottom of the passenger side frame rail as shown. (See Fishwire Technique.)
4. Remove the contents of the trunk including the spare tire. Remove the middle plug on the driver side of the spare tire well. Return plug to vehicle owner.
5. Raise hitch into position over the exhaust, threading the passenger side fishwire through the slot in the passenger side mounting plate. Secure the passenger side with the (2) 7/16" hex flange nuts as shown. Take care not to push the carriage bolts into the frame rail.
6. Position the driver side mount plate between the exhaust hanger bracket and the driver side frame rail and secure using the (2) M8 hex flange bolts as shown.
7. Fishwire the remaining 7/16" carriage bolt and CM-SP2 spacer through the access hole and out the slotted hole on the outer side of the passenger side frame rail as shown and secure with a hex flange nut. Take care not to drop the carriage bolt in the frame rail. (See Fishwire Technique.)
8. Use silicone caulk (or equivalent) to seal the tire well plug hole from exhaust fumes and water by putting a bead around the CM-SP62 .250" spacer plate. Place the CM-SP62 spacer onto the hole and put a bead of caulk around the square hole. Install a 1/2" carriage bolt and secure with a hex flange nut from under the vehicle as shown.
9. Torque all M8 hardware to 23 ft-lbs., all 7/16" hardware to 70 ft-lbs. and all 1/2" hardware to 110 ft-lbs.
10. Trim rear underbody panel to clear the passenger side plate as shown in the Underbody Panel Trim Diagram. Reinstall the underbody panel using the torx head screws and hex nuts removed in Step 1.
11. Return spare tire and other items removed from the trunk.

PERIODICALLY CHECK THIS RECEIVER HITCH TO ENSURE THAT ALL FASTENERS ARE TIGHT AND THAT ALL STRUCTURAL COMPONENTS ARE SOUND.

Curt Manufacturing Inc., warrants this product to be free of defects in material and/or workmanship at the time of retail purchase by the original purchaser. If the product is found to be defective, Curt Manufacturing Inc., may repair or replace the product, at their option, when the product is returned, prepaid, with proof of purchase. Alteration to, misuse of, or improper installation of this product voids the warranty. Curt Manufacturing Inc.'s liability is limited to repair or replacement of products found to be defective, and specifically excludes liability for incidental or consequential loss or damage.