

**YEARS:** 2011-Present

**MAKE:** FORD

**MODEL:** MUSTANG

**STYLE:** COUPE & CONVERTIBLE






**WARNING: NEVER EXCEED YOUR VEHICLE MANUFACTURER'S RECOMMENDED TOWING CAPACITY**

**WEIGHT CARRYING:**  
**TRAILER WEIGHT:** 2000 LBS.  
**TONGUE WEIGHT:** 200 LBS.

**INSTALLATION TIME:** 30 MIN.

THE INSTALL TIME LISTED IS FOR PROFESSIONAL INSTALLERS. IF YOU ARE HESITANT TO UNDERTAKE THIS TASK ON YOUR OWN, CONTACT AN AUTHORIZED CURT INSTALLER FOR ADDITIONAL ASSISTANCE.


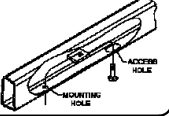

**INSTALLATION REQUIRES:**

 <b>PRY BAR</b>	 <b>RATCHET</b>	 <b>11/16" 13mm SOCKET</b>
 <b>TORQUE WRENCH</b>	 <b>SAFETY GLASSES</b>	

**INSTALLATION TIPS:**

- BEFORE YOU BEGIN INSTALLATION, READ ALL INSTRUCTIONS THOROUGHLY.
- TO EASE INSTALLATION, 2 PEOPLE MAY BE REQUIRED.
- USING PROPER TOOLS WILL GREATLY IMPROVE THE QUALITY OF THE INSTALL AND REDUCE THE TIME REQUIRED.

**LEVEL OF DIFFICULTY: MODERATE**

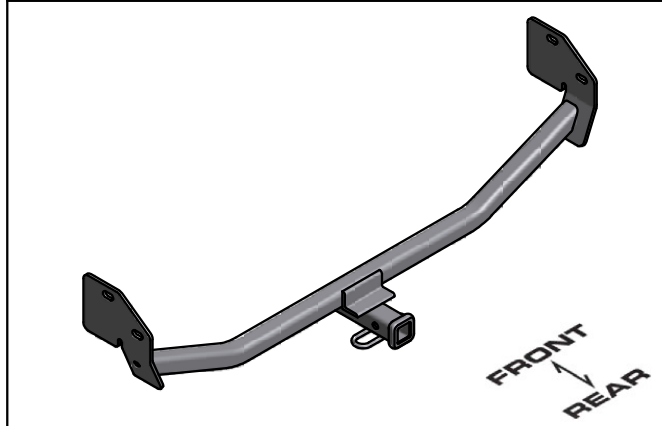
<i>EASY</i>	<i>MODERATE</i>	<i>CHALLENGING</i>
	REMOVE (2) RUBBER ISOLATORS	
	FISHWIRE HARDWARE	
	NO DRILLING REQUIRED	

**VEHICLE PHOTO:**



REPRESENTATIVE PHOTO

**TRAILER HITCH ILLUSTRATION:**

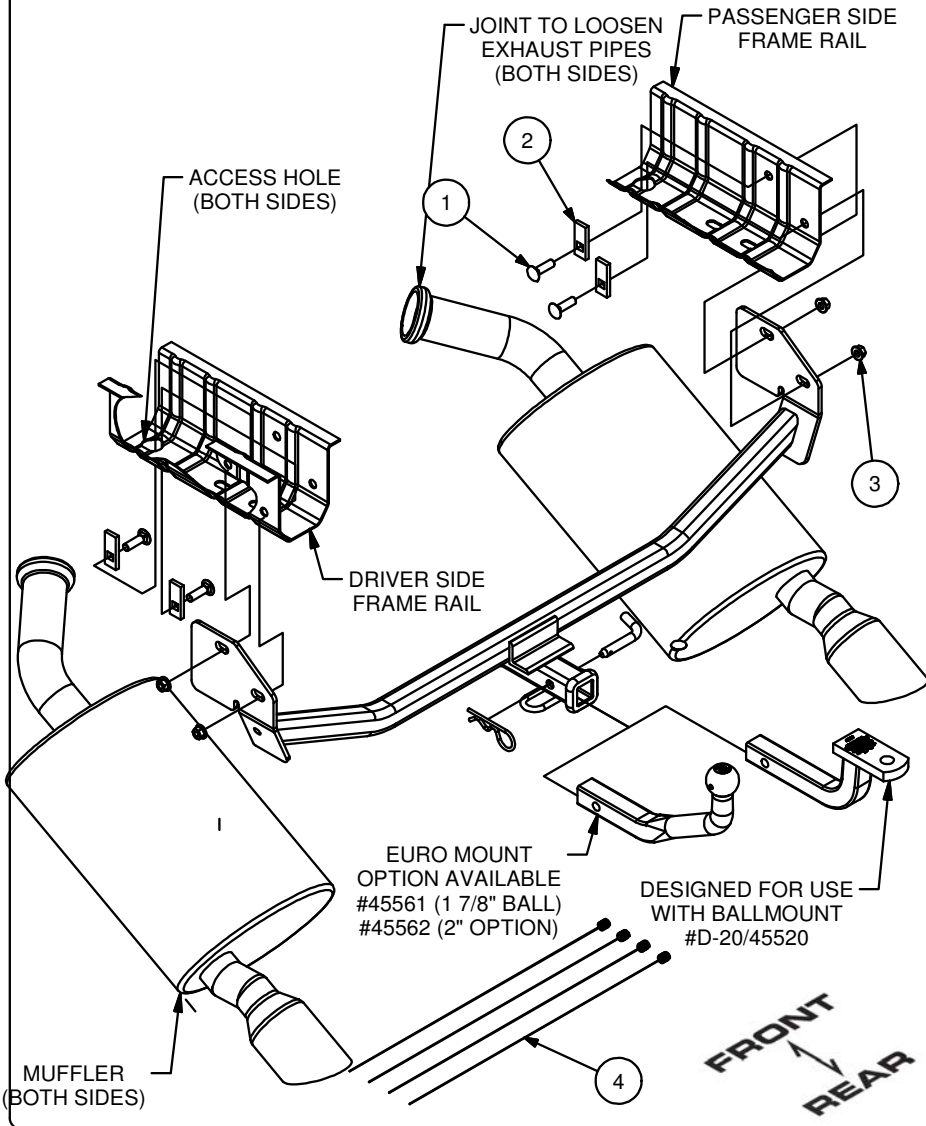


MAKE SURE YOUR HITCH MATCHES

**PERIODICALLY CHECK THIS RECEIVER HITCH TO ENSURE ALL FASTENERS ARE TIGHT AND ALL STRUCTURAL COMPONENTS ARE SOUND**  
 CURT Manufacturing LLC. warrants this product to be free of defects in material and/or workmanship at the time of retail purchase by the original purchaser. If the product is found to be defective, Curt Manufacturing LLC. may repair or replace the product at their option, when the product is returned, prepaid, with proof of purchase. Alteration to, misuse of, or improper installation of this product voids the warranty. Curt Manufacturing LLC.'s liability is limited to repair or replacement of products found to be defective, and specifically excludes liability for incidental or consequential loss or damage.

## INSTALLATION WALKTHROUGH:

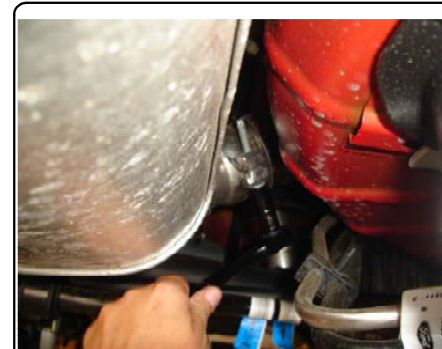
Parts List			
ITEM	QTY	PART NUMBER	DESCRIPTION
1	4	7/16-14 x 1 1/2	CARRIAGE BOLT
2	4	CM-SP2	.250 x .88 x 2.25" SQUARE HOLE SPACER
3	4	7/16-14	HEX FLANGE NUT
4	4	7_16 FISHWIRE	7/16" FISHWIRE



1. Remove the rearmost rubber isolator on both mufflers. (See RUBBER ISOLATOR REMOVAL DIAGRAM).



2. Lower exhaust by loosening the strap which fastens the exhaust pipes together behind the muffler and gently pulling mufflers downward to allow access to frame rails.



## INSTALLATION WALKTHROUGH:

3. Fishwire 7/16" x 1 1/2" carriage bolts and SP2 spacers through access holes as shown. Do NOT pull bolts through side of frame rails until hitch is raised up into place. (See FISHWIRE TECHNIQUE).



5. Torque all 7/16" hardware to 70 ft/lbs. Re-install exhaust.  
Install is complete.



4. Raise hitch into position, feeding ends of fishwires through mounting holes on hitch frame brackets. Using attached fishwires, pull bolts through holes in side of frame rails and hitch frame brackets. Secure with 7/16" flange nuts, as shown.



**11210****FORD MUSTANG****12/5/2012****GROSS LOAD CAPACITY WHEN USED AS A WEIGHT CARRYING HITCH: 2,000 LBS. TRAILER WEIGHT & 200 LBS. TONGUE WEIGHT.****\*\*\*DO NOT EXCEED VEHICLE MANUFACTURER'S RECOMMENDED TOWING CAPACITY.\*\*\*****WARNING: ALL NON-TRAILER LOADS APPLIED TO THIS PRODUCT MUST BE SUPPORTED BY 18050 STABILIZING STRAPS.****\*\* FAILURE TO PROPERLY SUPPORT NON-TRAILER LOADS WILL VOID PRODUCT WARRANTY\*\***

Parts List				
ITEM	QTY	PART NUMBER	DESCRIPTION	
1	4	7/16-14 x 1 1/2	CARRIAGE BOLT	
2	4	CM-SP2	.250 x .88 x 2.25" SQUARE HOLE SPACER	
3	4	7/16-14	HEX FLANGE NUT	
4	4	7_16 FISHWIRE	7/16" FISHWIRE	

TOOLS REQUIRED
PRY BAR
RATCHET
11/16" SOCKET
TORQUE WRENCH

**RUBBER ISOLATOR REMOVAL DIAGRAM**

This technique can be used if and Exhaust Hanger Removal Pliers is not available.

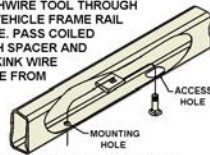
Using a 5/8" open end wrench, slide the wrench up to the rubber isolator, cradling the hanger rod as shown. Next place the flat edge of a pry bar between the wrench and the hanger stop or hanger rod. Then simply rotate the pry bar toward the wrench to remove the rubber isolator.

Note: Using a spray lubricant or soapy water on the hanger rod and the rubber isolator helps removal.

**FISHWIRE TECHNIQUE**

INSERT COILED END OF FISHWIRE TOOL THROUGH HITCH MOUNTING HOLE IN VEHICLE FRAME RAIL AND OUT THE ACCESS HOLE. PASS COILED END OF FISHWIRE THROUGH SPACER AND THREAD BOLT INTO COIL. KINK WIRE TO KEEP SPACER SEPARATE FROM BOLT AS SHOWN. PULL FISHWIRE, SPACER, AND BOLT THROUGH FRAME AND OUT MOUNTING HOLE. USE FISHWIRE TO GUIDE HITCH DURING MOUNTING AND PREVENT LOSS OF BOLT / SPACER INSIDE FRAME RAIL.

\*\*NOTE: SOME VEHICLES MAY FISHWIRE THROUGH END OF FRAME\*\*



HITCH WEIGHT: 26 LBS.

**INSTALL TIME**

PROFESSIONAL: 30 MINUTES  
NOVICE (DIY): 60 MINUTES

**INSTALL NOTES:**

- NO DRILLING REQUIRED
- FISHWIRE HARDWARE
- LOWER EXHAUST

JOINT TO LOOSEN EXHAUST PIPES BOTH MUFFLERS

ACCESS HOLE

PASSENGER SIDE FRAME RAIL

ACCESS HOLE

DRIVER SIDE FRAME RAIL

EURO MOUNT OPTION AVAILABLE #45561 (1 7/8" BALL) & #45562 (2" BALL)

DESIGNED FOR USE WITH BALLMOUNT #D-20/45520

MUFFLER (BOTH SIDES)

FRONT  
REAR

1. Remove the rearmost rubber isolator on both mufflers. (See RUBBER ISOLATOR REMOVAL DIAGRAM)
2. Lower exhaust by loosening the strap which fastens the exhaust pipes together behind the muffler and gently pulling mufflers downward to allow access to frame rails.
3. Fishwire 7/16 x 1 1/2" carriage bolts and SP2 spacers through the access holes as shown. Do NOT pull bolts through side of frame rail until hitch is raised up in place. (See FISHWIRE TECHNIQUE)
4. Raise hitch into position, feeding ends of fishwires through mounting holes on hitch frame brackets. Using attached fishwires, pull bolts through holes in side of frame rails and hitch frame brackets. Secure with 7/16" flange nuts, as shown.
5. Torque all 7/16" hardware to 70 ft/lbs. Re-install exhaust.

**PERIODICALLY CHECK THIS RECEIVER HITCH TO ENSURE THAT ALL FASTENERS ARE TIGHT AND THAT ALL STRUCTURAL COMPONENTS ARE SOUND.**

Curt Manufacturing LLC., warrants this product to be free of defects in material and/or workmanship at the time of retail purchase by the original purchaser. If the product is found to be defective, Curt Manufacturing LLC., may repair or replace the product, at their option, when the product is returned, prepaid, with proof of purchase. Alteration to, misuse of, or improper installation of this product voids the warranty. Curt Manufacturing LLC.'s liability is limited to repair or replacement of products found to be defective, and specifically excludes liability for incidental or consequential loss or damage.