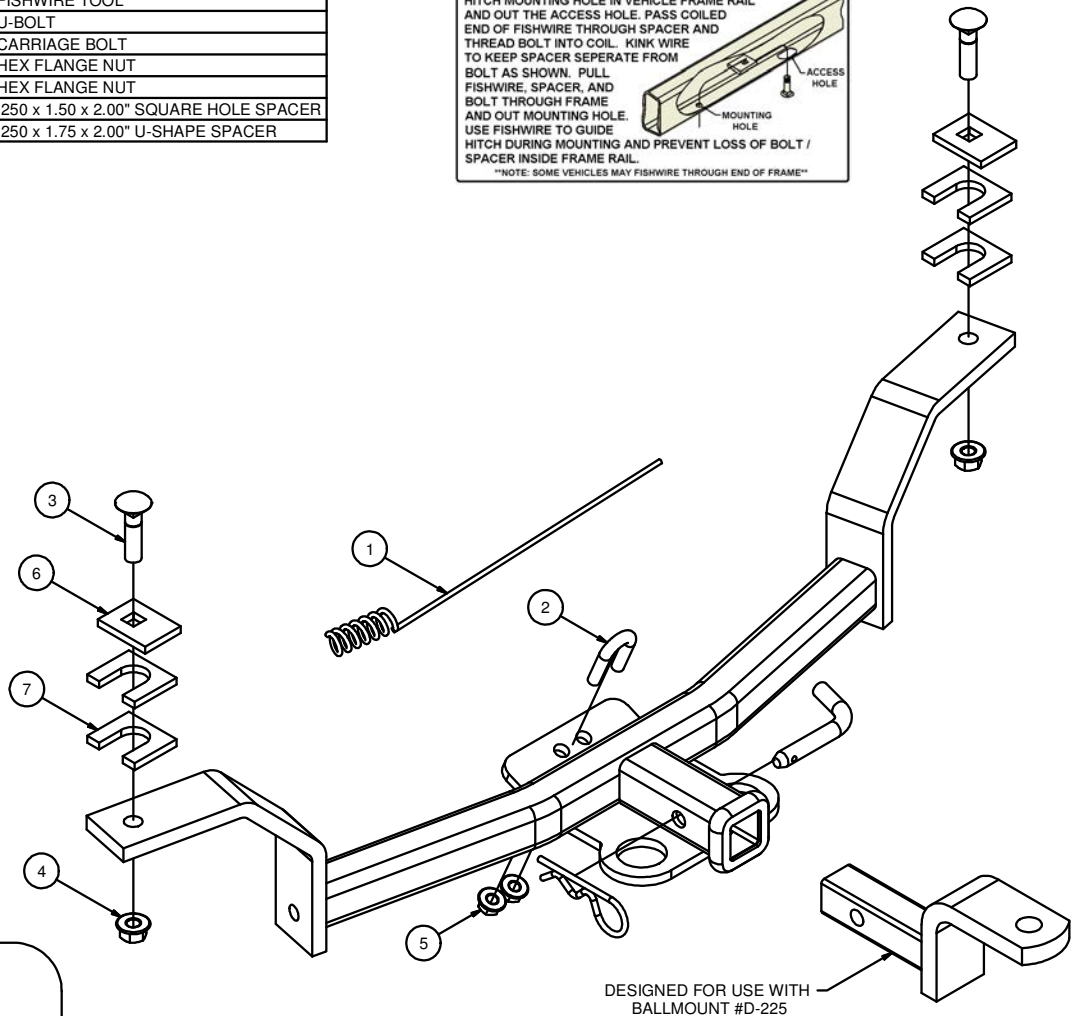
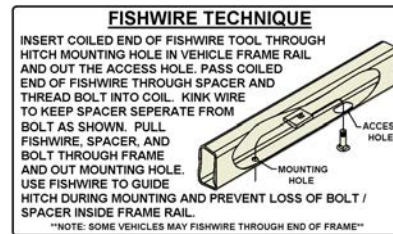


**11207**92-00 HONDA CIVIC 2 & 4DR, 97-00 ACURA 1.6 EL (CANADA ONLY),  
2001 ACURA 1.7 EL

9/28/2012

GROSS LOAD CAPACITY WHEN USED AS A WEIGHT CARRYING HITCH: 2000 LBS. TRAILER WEIGHT & 200 LBS. TONGUE WEIGHT.  
**\*\*\*DO NOT EXCEED VEHICLE MANUFACTURER'S RECOMMENDED TOWING CAPACITY.\*\*\***

		Parts List	
ITEM	QTY	PART NUMBER	DESCRIPTION
1	1	1/2"	FISHWIRE TOOL
2	1	3/8 - 16 x 1.00 x 1.88	U-BOLT
3	2	1/2 - 13 x 2"	CARRIAGE BOLT
4	2	HFN 1213	HEX FLANGE NUT
5	2	HFN3816	HEX FLANGE NUT
6	2	CM-SP1	.250 x 1.50 x 2.00" SQUARE HOLE SPACER
7	4	CM-SP31	.250 x 1.75 x 2.00" U-SHAPE SPACER



HITCH WEIGHT: 25.5 LBS.

INSTALL TIME

PROFESSIONAL: 45 MINUTES

NOVICE (DIY): 90 MINUTES

INSTALL NOTES:

**INSTALLATION STEPS**

- 1) Fishwire carriage bolt and spacer through end of frame rail. Pull carriage bolt and spacer through separate by putting a kink in the fishwire (as shown in the FISHWIRE TECHNIQUE DIAGRAM).
- 2) Raise hitch into position and loosely install 3/8" U-bolt through tow hook and mounting plate at back of hitch and fasten with flange nuts.
- 3) Insert U-shaped block between hitch side arm and vehicle frame, each side. Be careful not to sandwich and crush turned-down edge of frame hole. Use second U-shaped block, if needed, so that receiver tube is level or tilted upward.
- 4) Torque 3/8" fasteners to 45 LB.-FT. and 1/2" fasteners to 110 LB.-FT.

**PERIODICALLY CHECK THIS RECEIVER HITCH TO ENSURE THAT ALL FASTENERS ARE TIGHT AND THAT ALL STRUCTURAL COMPONENTS ARE SOUND.**



The **FIRST** Name  
in Towing Products™

[Trailer Hitches](#)