

11205

## 94-97 HONDA ACCORD WAGON

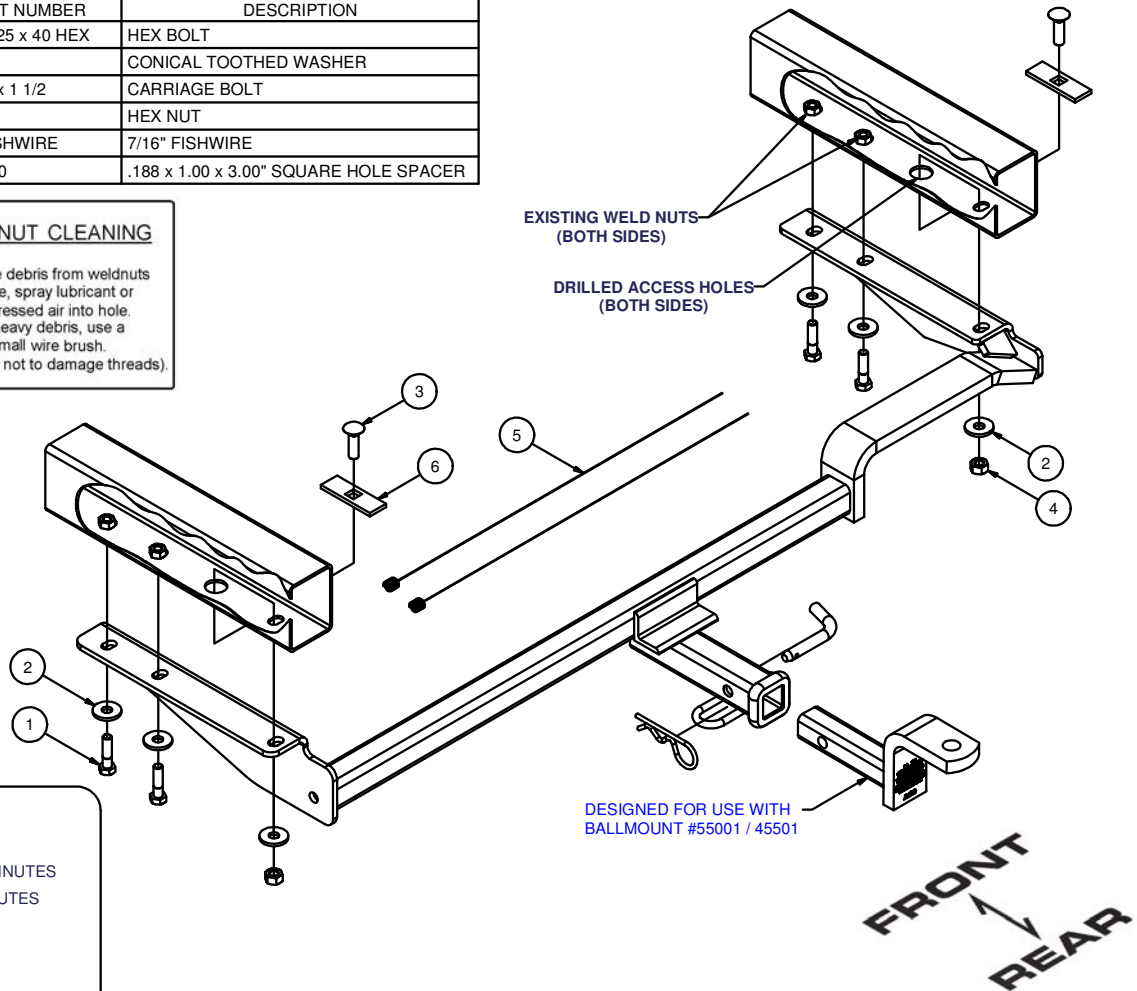
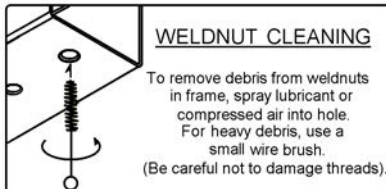
GROSS LOAD CAPACITY WHEN USED AS A WEIGHT CARRYING HITCH: 2,500 LBS. TRAILER WEIGHT & 200 LBS. TONGUE WEIGHT.

\*\*\*DO NOT EXCEED VEHICLE MANUFACTURER'S RECOMMENDED TOWING CAPACITY.\*\*\*

WARNING: ALL NON-TRAILER LOADS APPLIED TO THIS PRODUCT MUST BE SUPPORTED BY AUXILIARY STABILIZING STRAPS.

\*\* FAILURE TO PROPERLY SUPPORT NON-TRAILER LOADS WILL VOID PRODUCT WARRANTY\*\*

Parts List			
ITEM	QTY	PART NUMBER	DESCRIPTION
1	4	M10 - 1.25 x 40 HEX	HEX BOLT
2	6	7/16"	CONICAL TOOTHED WASHER
3	2	7/16-14 x 1 1/2	CARRIAGE BOLT
4	2	7/16-14	HEX NUT
5	2	7_16 FISHWIRE	7/16" FISHWIRE
6	2	CM-SP40	.188 x 1.00 x 3.00" SQUARE HOLE SPACER



HITCH WEIGHT: .30 LBS.

INSTALL TIME

PROFESSIONAL: .45 MINUTES

NOVICE (DIY): .90 MINUTES

INSTALL NOTES:

- DRILLING REQUIRED
- REMOVE TIE DOWN

## INSTALLATION STEPS

1. This hitch will bolt to the bottom of the left and right frame rails at the rear of the car. Remove the tie down brackets from both frame rails (two screws each), and remove a screw fastening the muffler heat shield to the bottom of the right frame rail. Return all parts to the car's owner for reinstallation, should the hitch ever be removed. Hammer the edge of the heat shield flat against the frame rail. The heat shield will be sandwiched between the hitch and the frame.
2. Using a 1 1/4" hole saw, make access holes in the frame rails, located as shown in the diagram, so they will be covered when the hitch is installed. These holes are for fishwiring fasteners into position as shown. These should be installed prior to lifting the hitch into position.
3. Lift the hitch into position being careful not to push the carriage bolts back into the frame. Complete fastener installation as shown.
4. Torque all 10mm fasteners to 48 lb-ft, and all 7/16" fasteners to 70 lb-ft.

**PERIODICALLY CHECK THIS RECEIVER HITCH TO ENSURE THAT ALL FASTENERS ARE TIGHT AND THAT ALL STRUCTURAL COMPONENTS ARE SOUND.**



The **FIRST** Name  
in Towing Products™

Trailer Hitches