

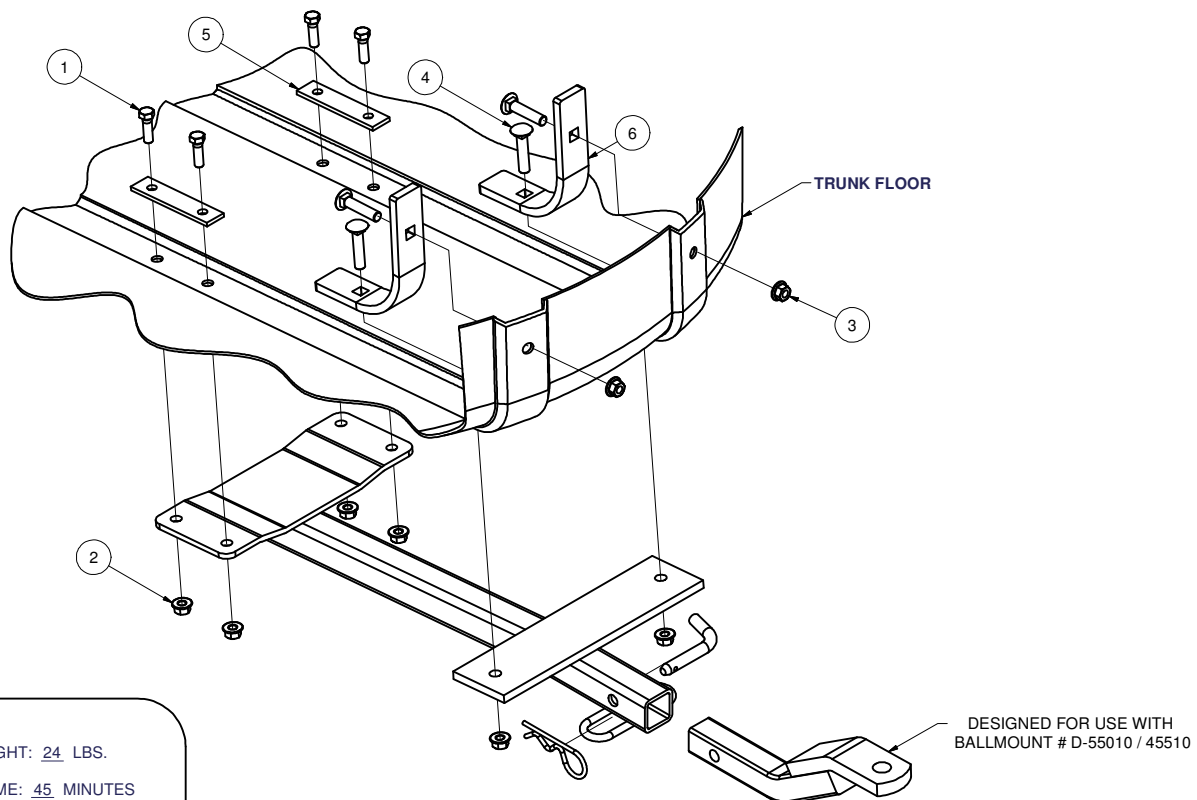
11174 / 247373

00-05 BMW 3 SERIES COUPE AND WAGON, EXCEPT "M" VERSIONS
99-05 BMW 3 SERIES SEDAN, EXCEPT "M" VERSIONS

9/28/2012

GROSS LOAD CAPACITY WHEN USED AS A WEIGHT CARRYING HITCH: 2000 LBS. TRAILER WEIGHT & 200 LBS. TONGUE WEIGHT.
DO NOT EXCEED VEHICLE MANUFACTURER'S RECOMMENDED TOWING CAPACITY.

Parts List			
ITEM	QTY	PART NUMBER	DESCRIPTION
1	4	3/8 - 16 x 1 1/4	HEX BOLT
2	4	HFN3816	HEX FLANGE NUT
3	4	7/16-14	LARGE HEX FLANGE NUT
4	4	7/16-14 x 2	CARRIAGE BOLT
5	2	CM-SP109	.188 x 1.00 SPACER
6	2	CM-SP127	.375" SPACER PLATE



HITCH WEIGHT: 24 LBS.

INSTALL TIME: 45 MINUTES

INSTALL NOTES:

DRILLING REQUIRED

INSTALLATION STEPS

- 1) Temporarily remove all items from car's trunk. Place the two reinforcement brackets inside the tire well, each fitting in a body recess so plate centers are 9 3/4". The longer end of each bracket should be up against the rear wall of tire well so that edge of plate lines up with body lip detail.
- 2) Using the brackets as a template, mark, center punch, and drill tire well for four 7/16" carriage bolts.
- 3) Install the carriage bolts into bracket. Lift hitch into position under tire well and attach it to the two carriage bolts. Install the rest of the bracket fasteners as shown. It may be necessary to hold lower fascia away temporarily to tighten fasteners.
- 4) Using the hitch as a template, drill the remaining mounting holes, and install hardware as shown.
- 5) Torque all 7/16" hardware to 70 lb.-ft. and all 3/8" hardware to 45 lb.-ft.

PERIODICALLY CHECK THIS RECEIVER HITCH TO ENSURE THAT ALL FASTENERS ARE TIGHT AND THAT ALL STRUCTURAL COMPONENTS ARE SOUND.